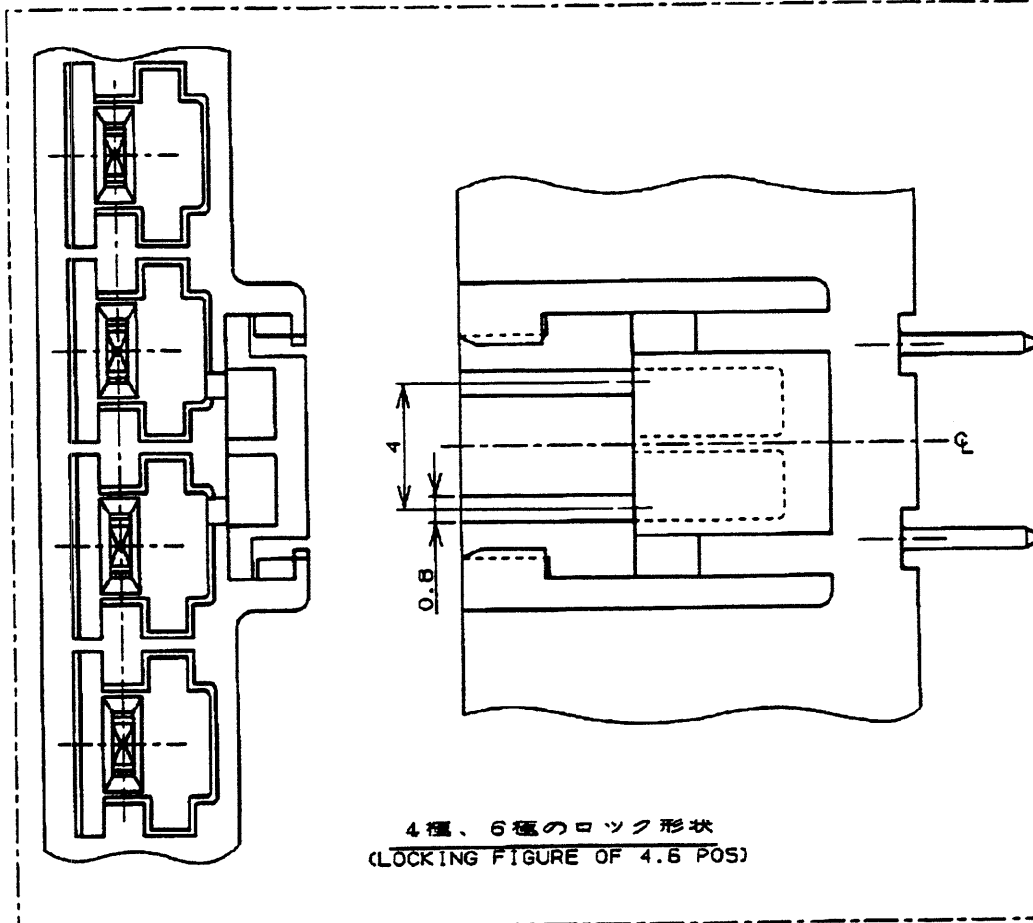
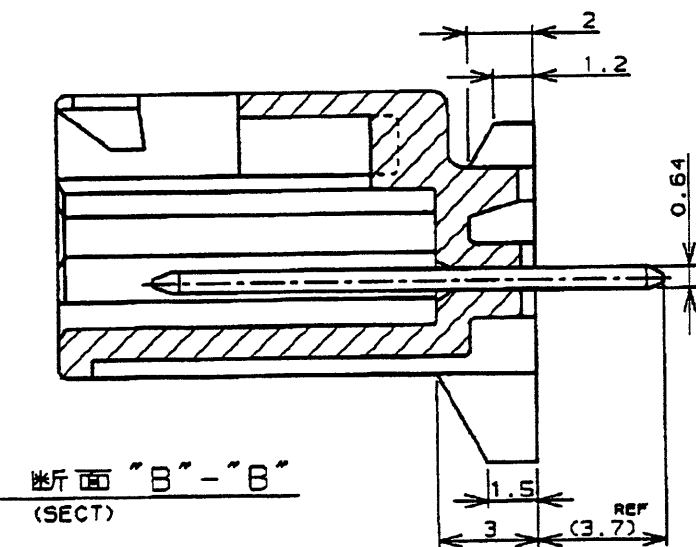
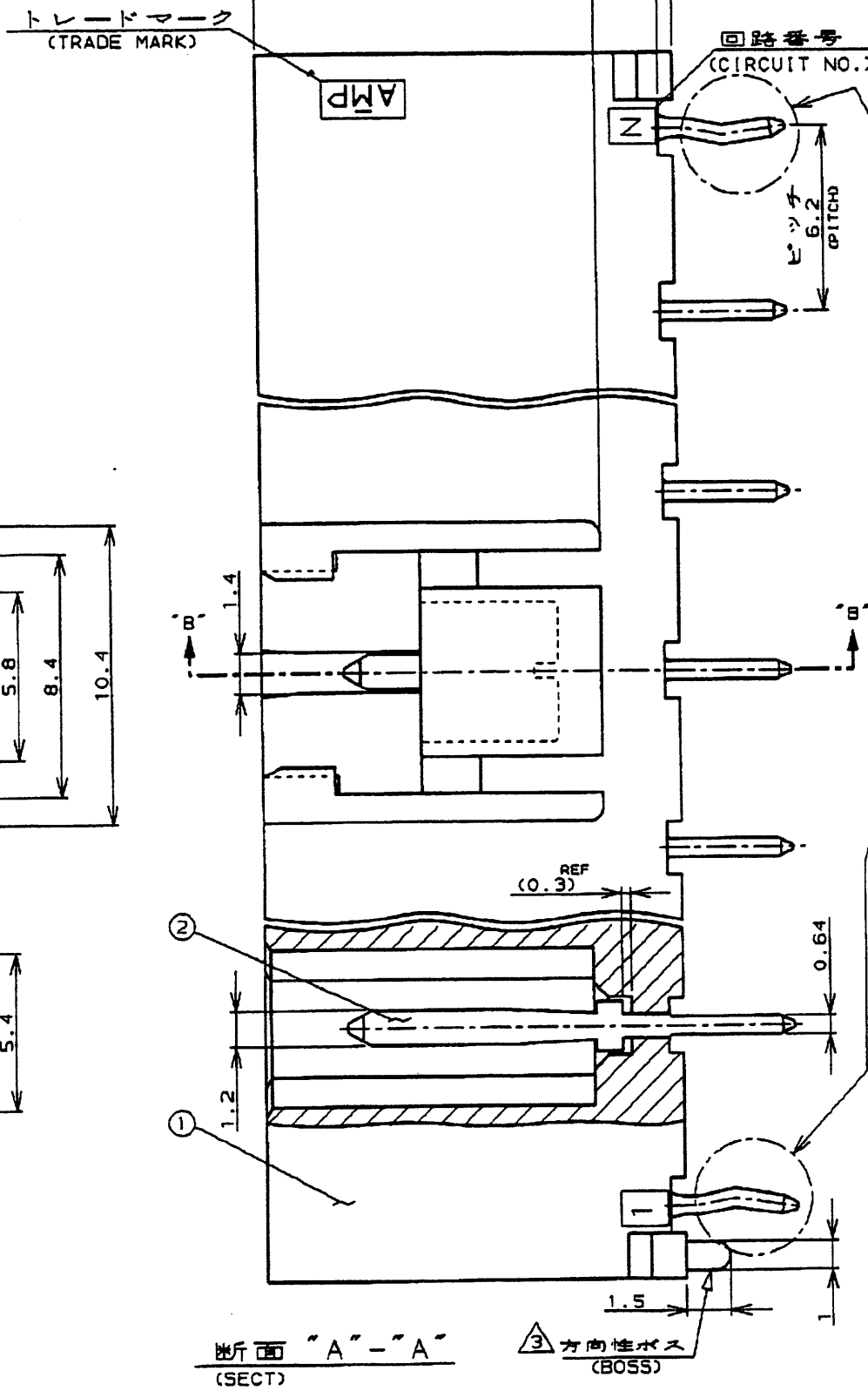
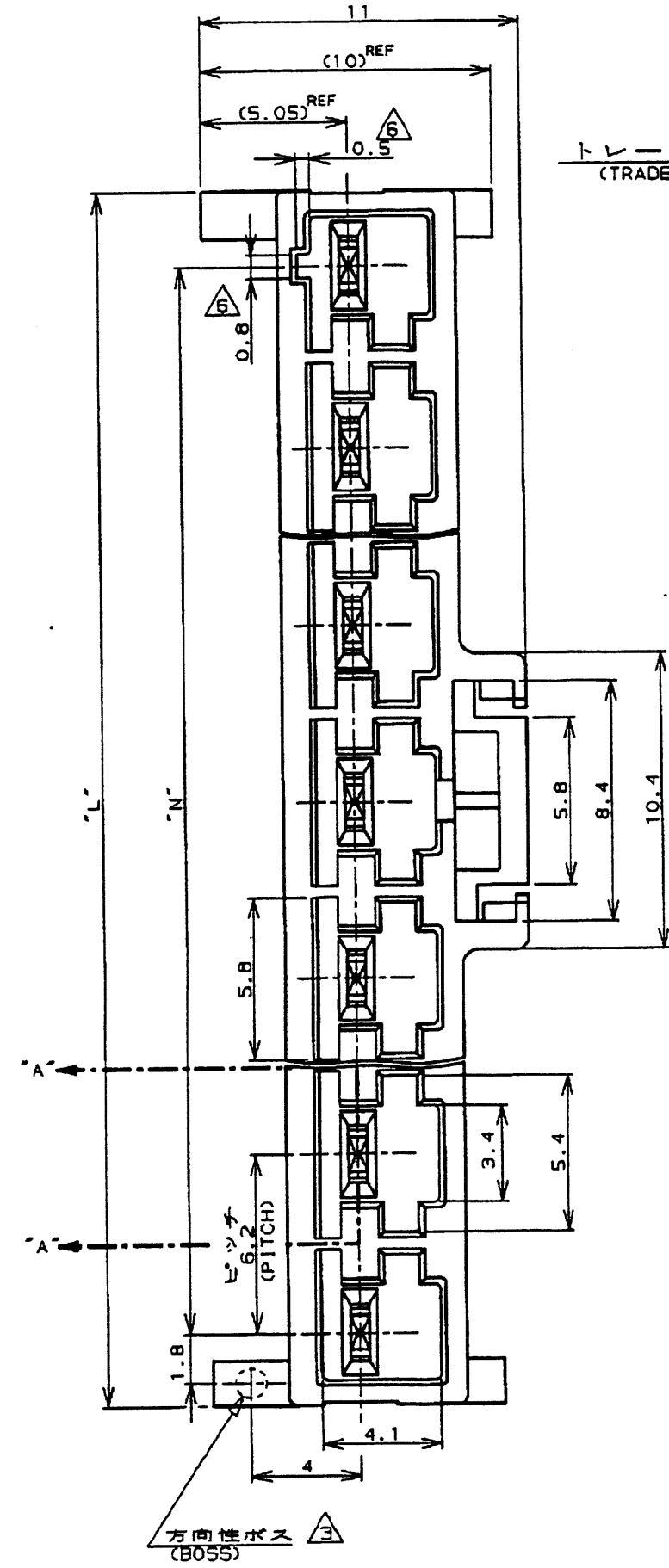


NUMBER C-178841

METRIC

三视图 (3-VIEW ANGLE PROJECTION)

PRINT DIST. DIMENSIONS IN MM. DO NOT SCALE PRINT



NOTES:

- 1 PRODUCT SPEC : 108-5302
- 2 RECOMMENDED P.C.B LAYOUT (SEE FIG.1)
- 3 APPLICABLE "WITH BOSS" TYPE ONLY
- 4 P.C.B THICKNESS : 1.6
- 5 MATING CONN. P/N
6.2mm PITCH PLUG HOUSING (C-178842-1)
RECE CONTACT : 175151-1 (AWG#26-#22)
175152-1 (AWG#16-#20)
- 6 KEYING POSITION (THE LAST CIRCUIT)

注:

1. 通用製品規格 : 108-5302
2. 取付基板寸法 (コネクタ取付方向から図示)
FIG.1
N±0.1 (非累積公差)
0.95±0.05 (パンチ加工穴) (PUNCHED HOLE)
1±0.05 (ドリル加工穴) (DRILLED HOLE)
6±0.1
1.48±0.1
4±0.1
±0.1
1.8
ボス取付穴 (BOSS MOUNT HOLE)
3. ボス有タイプのみ適用
4. 適用基板厚 : 1.6
5. 適合相手側製品型番
6.2mm ピッチプラグハウジング (C-178842-1)
リセコンタクト : 175151-1 (AWG#26-#22)
175152-1 (AWG#16-#20)
6. 最終回路NO.部のみ適用 (キッキング)

表1
TABLE 1

| 部品番号 PART NO. | 名称 PART NAME | 材質、表面処理 MATERIAL & FINISH |
|------------------|-----------------------------|----------------------------------------------------------------------------------------------|
| ① | ヘッダーハウジング HEADER HOUSING | 6/6ナイロンガラス強化(UL94V-0) 6/6 NYLON GLASS FILLED(UL94V-0) トラッキングインデックス (CTI) 175(TK250) |
| ② | タブ TAB | 高導電率銅合金(MSP-1)鍍めつき仕上 COPPER ALLOY (MSP-1) TIN PLATED |

| ボス (BOSS) | L | N | 極数 (POS) | ハウジング色調 (HOUSING COLOR) | | 型番 (P/N) |
|-------------------|----------------|------|-------------|----------------------------|-----|--------------|
| | | | | 色 | 調 | |
| 無 (WITHOUT) | 54.7 | 49.6 | 9 | (BLACK) | 黒 | 7- 178841 -9 |
| | △ | △ | △ | (BLUE) | 青 | 7- -6 |
| | | | | (YELLOW) | 黄 | 7- -4 |
| | | | | (RED) | 赤 | 7- -2 |
| | | | | (NATURAL) | 自然色 | 7- -1 |
| 有 (WITH) | | | | (BLACK) | 黒 | 6- -9 |
| | | | | (BLUE) | 青 | 6- -6 |
| | | | | (YELLOW) | 黄 | 6- -4 |
| | | | | (RED) | 赤 | 6- -2 |
| | 54.7 | 49.6 | 9 | (NATURAL) | 自然色 | 6- -1 |
| 無 (WITHOUT) | 36.1 | 31.0 | 6 | (BLACK) | 黒 | 5- -9 |
| | △ | △ | △ | (BLUE) | 青 | 5- -6 |
| | | | | (YELLOW) | 黄 | 5- -4 |
| | | | | (RED) | 赤 | 5- -2 |
| | | | | (NATURAL) | 自然色 | 5- -1 |
| 有 (WITH) | | | | (BLACK) | 黒 | 4- -9 |
| | | | | (BLUE) | 青 | 4- -6 |
| | | | | (YELLOW) | 黄 | 4- -4 |
| | | | | (RED) | 赤 | 4- -2 |
| | 36.1 | 31.0 | 6 | (NATURAL) | 自然色 | 4- -1 |
| 無 (WITHOUT) | 23.7 | 18.6 | 4 | (BLACK) | 黒 | 3- -9 |
| | △ | △ | △ | (BLUE) | 青 | 3- -6 |
| | | | | (YELLOW) | 黄 | 3- -4 |
| | | | | (RED) | 赤 | 3- -2 |
| | | | | (NATURAL) | 自然色 | 3- -1 |
| 有 (WITH) | | | | (BLACK) | 黒 | 2- -9 |
| | | | | (BLUE) | 青 | 2- -6 |
| | | | | (YELLOW) | 黄 | 2- -4 |
| | | | | (RED) | 赤 | 2- -2 |
| | 23.7 | 18.6 | 4 | (NATURAL) | 自然色 | 2- -1 |
| 無 (WITHOUT) | 17.5 | 12.4 | 3 | (BLACK) | 黒 | 1- -9 |
| | △ | △ | △ | (BLUE) | 青 | 1- -6 |
| | | | | (YELLOW) | 黄 | 1- -4 |
| | | | | (RED) | 赤 | 1- -2 |
| | | | | (NATURAL) | 自然色 | 1- -1 |
| 有 (WITH) | | | | (BLACK) | 黒 | -9 |
| | | | | (BLUE) | 青 | -6 |
| | | | | (YELLOW) | 黄 | -4 |
| | | | | (RED) | 赤 | -2 |
| | 17.5 | 12.4 | 3 | (NATURAL) | 自然色 | 178841 -1 |
| △ ボス (BOSS) | L | N | 極数 | ハウジング色調 | | 型番 (P/N) |
| | 寸法 (DIMENSION) | | (POS) | (HOUSING COLOR) | | |

tyco Tyco Electronics AMP K.K. Kawasaki, Japan

| | | | | | | |
|--------------------------|----------|----------|-----------------|---------------|--------------------------|----------------------------------------------------------------------------------------------------------------------------|
| E 変更 FJ00-0078-03 | N.Y.M.S. | 3APR 93 | 材料 (MATERIAL) | 仕上 (FINISH) | 名称 (NAME) | AMP ユニバーサル / ママコネクタ 6.2mm ピッチ タブヘッダーアッセンブリ ("V" 1列タイプ) CAMP UP CONN. 6.2mm PITCH TAB HEADER ASS'Y (CV TYPE, SGL ROW) |
| D 変更 FJ00-2066-98 | T.Y.M.S. | 28OCT 92 | 材料 (MATERIAL) | 仕上 (FINISH) | 一般公差 (GENERAL TOLERANCE) | SIZE LOC 番号 (NO.) |
| C 変更 FJ00-5005-96 | N.N.S. | 9JUL 96 | 材料 (MATERIAL) | 仕上 (FINISH) | 100μ ± 0.2 | C J C-178841 |
| B 変更 FJ00-0385-94 | N.Y.M.S. | 477 94 | 材料 (MATERIAL) | 仕上 (FINISH) | 100μ ± 0.25 | REV. E SHEET 1 OF 1 |
| A 変更 J-0363 | A.S. | 9/9 91 | 材料 (MATERIAL) | 仕上 (FINISH) | 300μ ± 100μ ± 0.3 | |
| O 作成 J-0297 | A.S. | 7/31 91 | DR. A. SUGIMOTO | DE. M. SHINDO | 角 度 : ±3° | |
| LTR 変更 (REVISION RECORD) | DR | CHK | DATE | CHK. | APP. | |
| | | | 7/31/91 | Y. FUJITA | N. OHNOE | |

单击下面可查看定价，库存，交付和生命周期等信息

[>>TE Connectivity\(泰科\)](#)