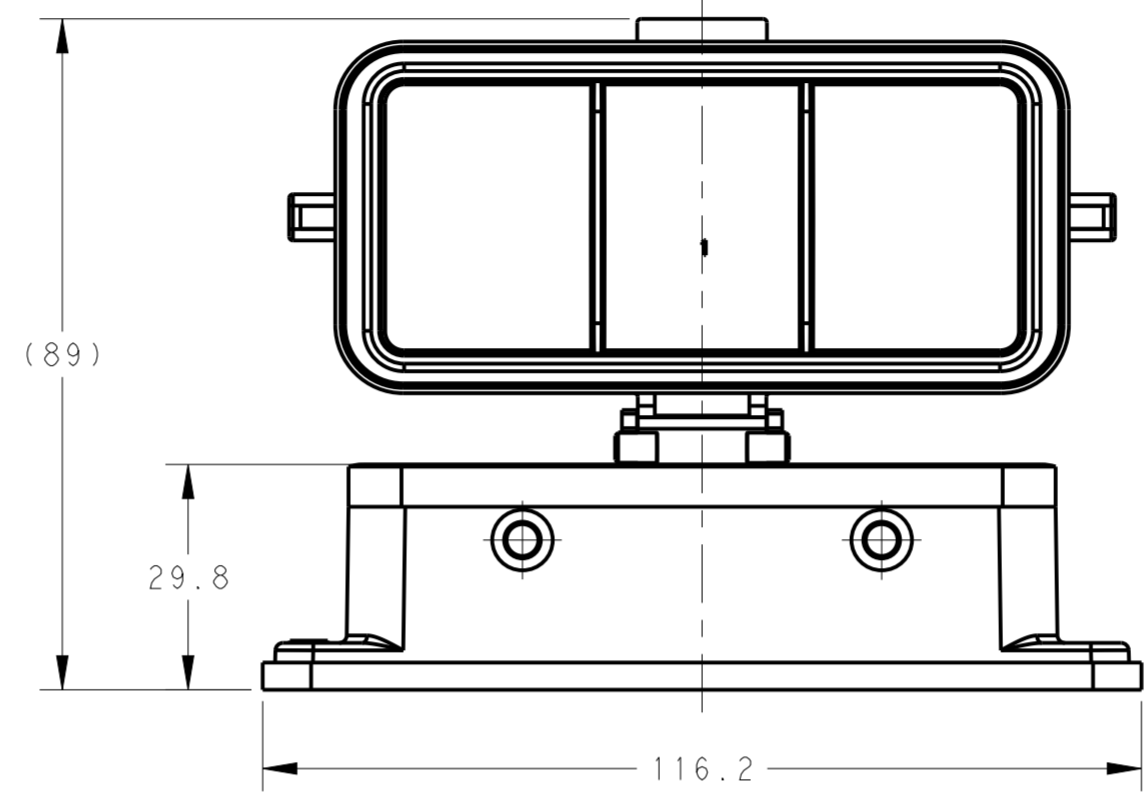
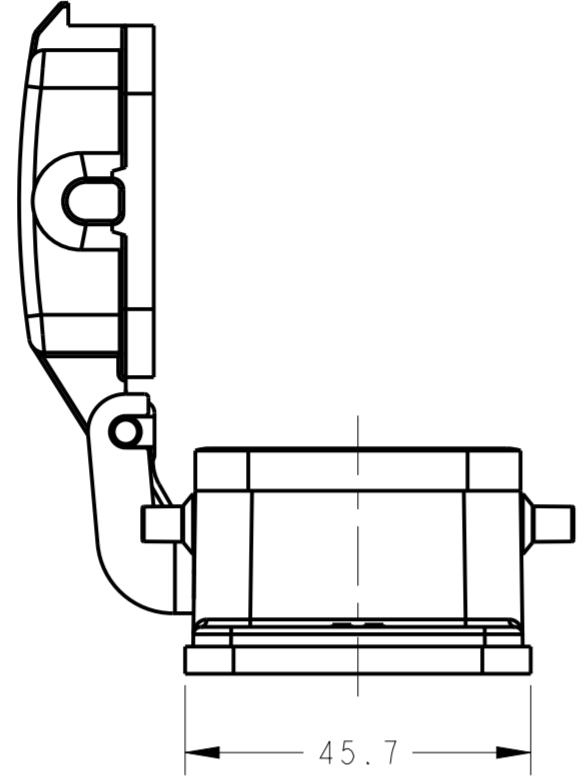
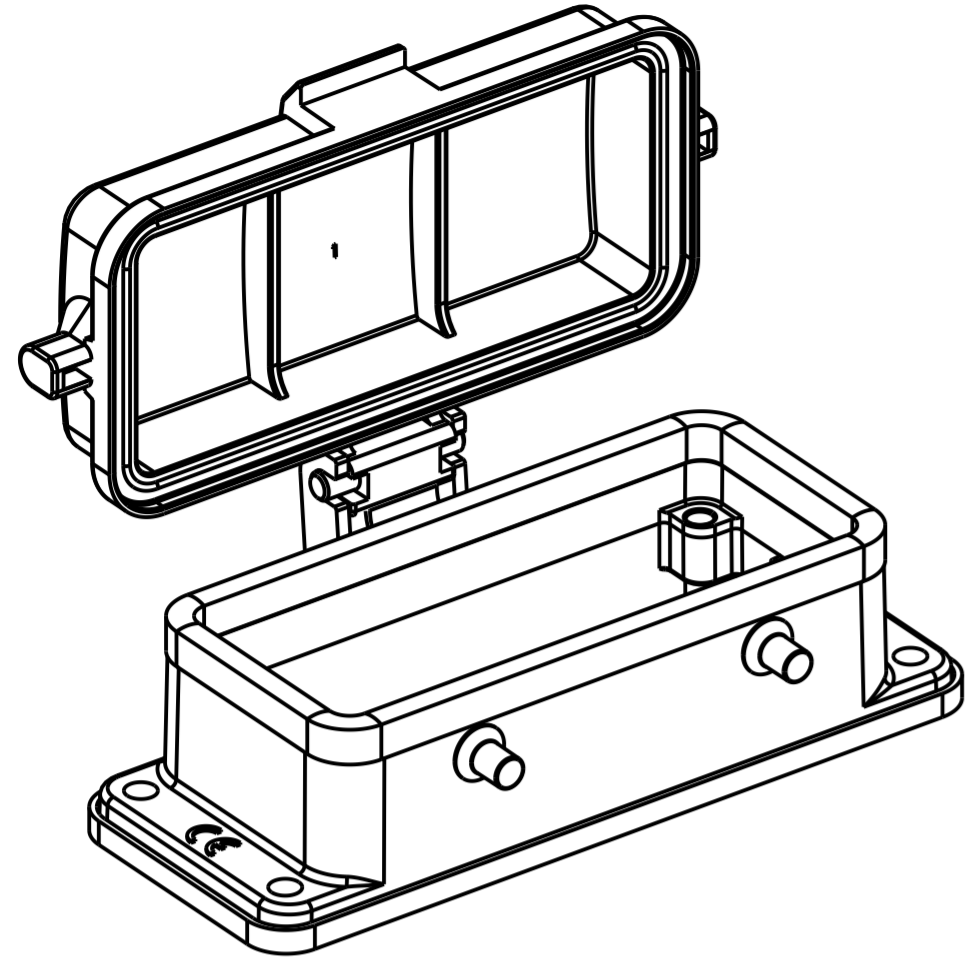


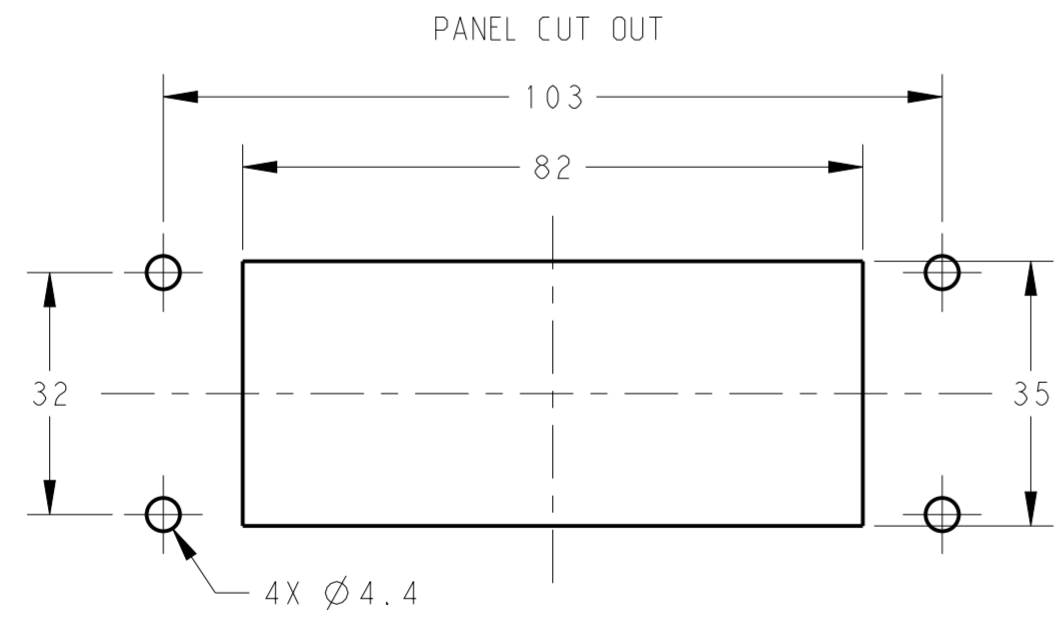
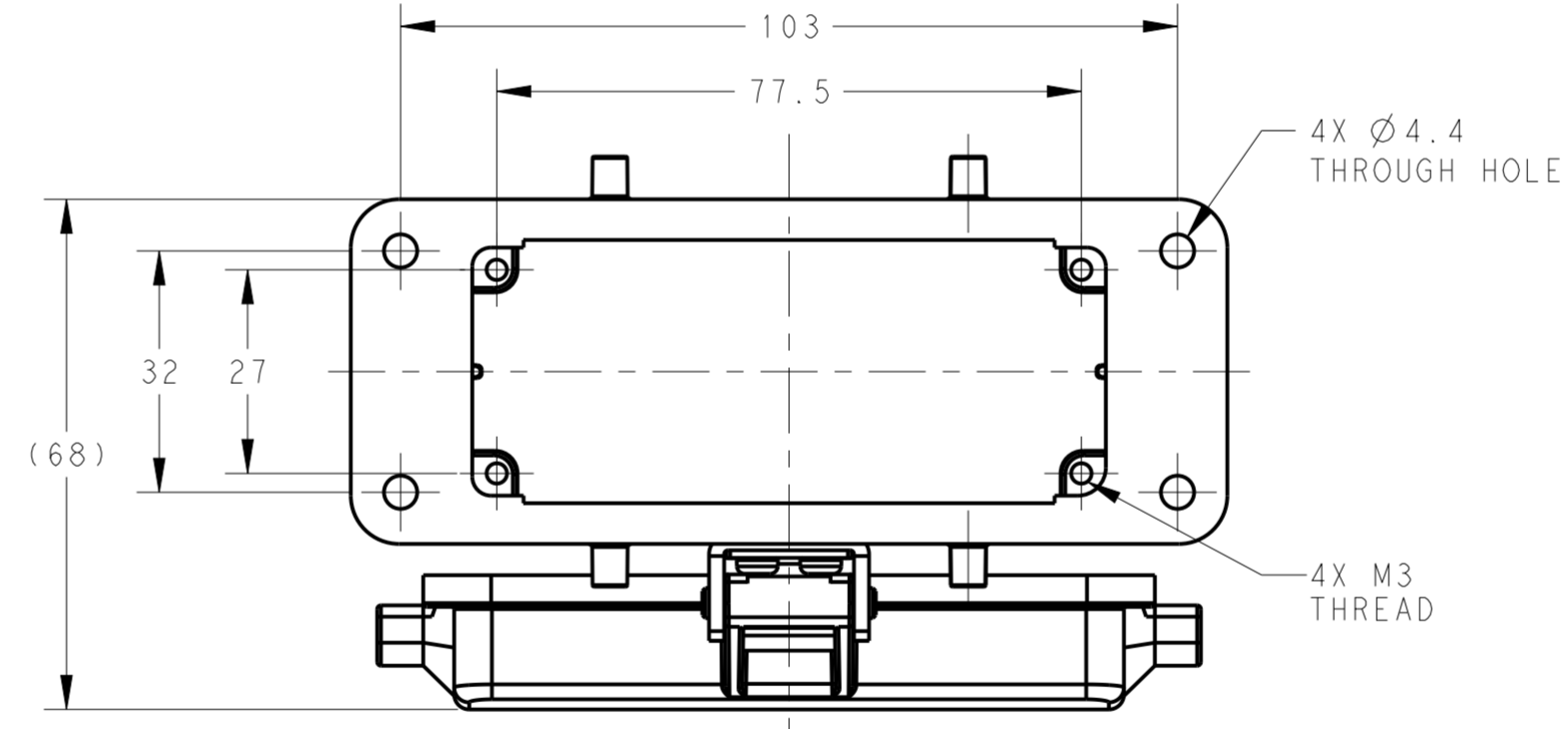
THIS DRAWING IS UNPUBLISHED. RELEASED FOR PUBLICATION 20
 © COPYRIGHT 20 BY - ALL RIGHTS RESERVED.

| REVISIONS | | | | |
|-----------|-----|---------------|-----------|--------|
| P | LTR | DESCRIPTION | DATE | APVD |
| A | | INITIAL | 17NOV2014 | DW CW |
| B | | ECR-20-008190 | 04SEP2020 | WOR CW |



NOTES:
 1. TECHNICAL CHARACTERISTICS:
 HOUSING MATERIAL:
 DIE CAST ALUMINIUM ALLOY
 SURFACE:
 POWDER COATED, RAL7037
 SEAL MATERIAL: NBR
 DEGREE OF PROTECTION:
 IP65 (MATED)

注释:
 1. 技术参数:
 下壳材料: 铝合金
 表面处理: 粉末涂层, RAL7037
 密封材料: NBR
 防护等级: IP65(配合)



| | |
|-------------|-----------------|
| H16B-AD-BO | T1430160000-000 |
| DESCRIPTION | PART NUMBER |

| | | | | |
|--|--|-----------------------------|---|--|
| THIS DRAWING IS A CONTROLLED DOCUMENT. | | DWN David Wang 17NOV2014 | STE TE Connectivity | |
| | | CHK Chris Wang 17NOV2014 | | |
| | | APVD Xiang Xu 17NOV2014 | NAME H16B-AD-BO | |
| DIMENSIONS: mm | | PRODUCT SPEC 108-137013 | SIZE CAGE CODE DRAWING NO RESTRICTED TO | |
| TOLERANCES UNLESS OTHERWISE SPECIFIED: | | APPLICATION SPEC 114-137013 | A200779 C-T1430160000000 | |
| 0 PLC ± | | WEIGHT - | SCALE 1:1 SHEET 1 OF 1 REV B | |
| 1 PLC ± | | Customer Drawing | | |
| 2 PLC ± | | | | |
| 3 PLC ± | | | | |
| 4 PLC ± | | | | |
| ANGLES ± | | | | |
| FINISH - | | | | |

单击下面可查看定价，库存，交付和生命周期等信息

[>>TE Connectivity\(泰科\)](#)