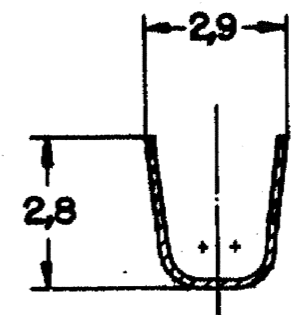
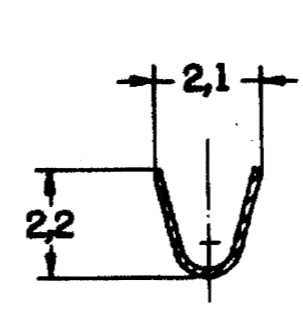
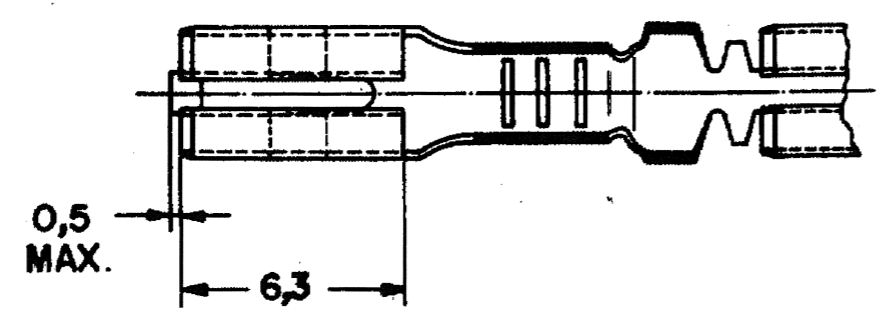


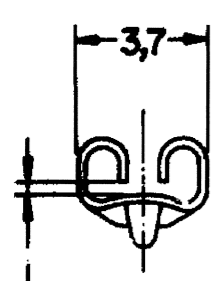
DWG NO.		DO NOT SCALE		METRIC		3/6 ANGLE PROJECTION	
		DIMENSIONS IN MM.					
REQ. PER ASSY	ITEM	DESCRIPTION	MATERIAL	FINISH			



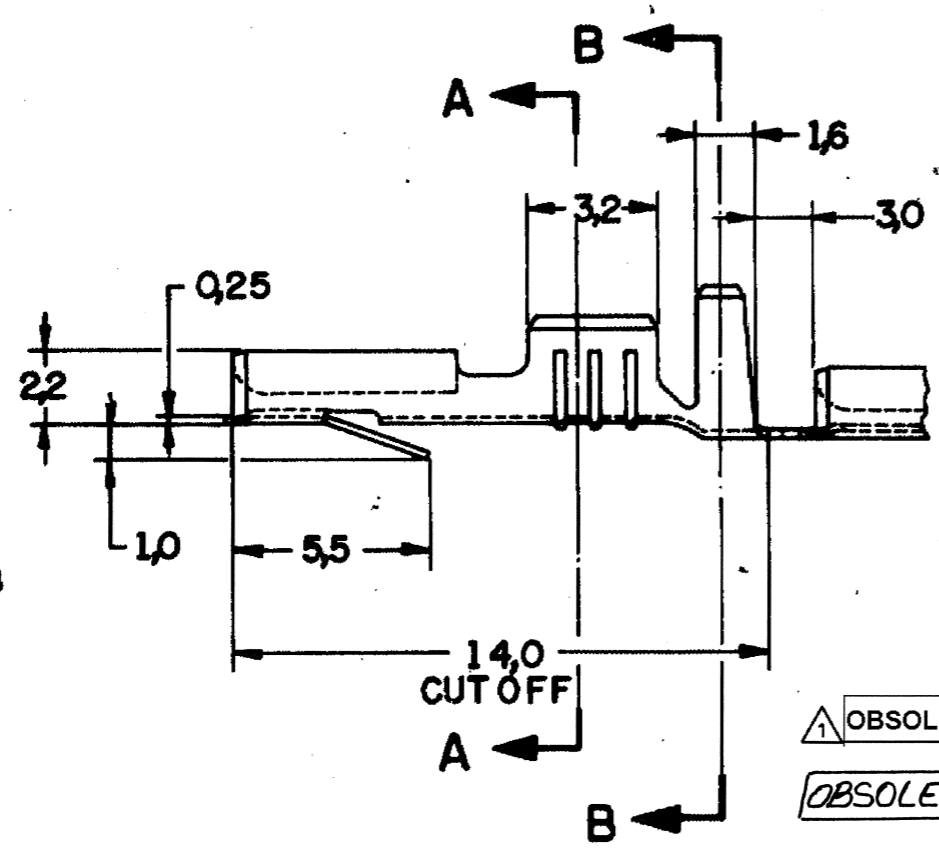
SECCÃO A-A SECTION

SECCÃO B-B SECTION

△ OBSOLETE PARTS: OBSOLETE CIS STREAMLINING PER D.RENAUD/D.SINISI



PARA TAB DE 0,8 ESPESSURA.
FOR 0,8 TAB.



△ OBSOLETE
OBSOLETE

LOOSE PIECE	FINISH	MATERIAL	PART NUMBER
	PRÉ ESTANHADO	LATÃO	881504 - 5
	ESTANHADO	BRONZE FOSFOROSO	-3
			-2
		LATÃO	881504 - 1

CUSTOMER DWG for REFERENCE ONLY		TOLERANCES UNLESS OTHERWISE STATED DEC. 2 0,5 ANGLES 2°		INS. DIA. RANGE 1,27-2,03mm	WIRE RANGE 0,30-0,56mm	SCALE 1/1
DR. N.C. LAPRESA 02-JUL-93		CHK. J.R. 20-JUL-93		AMP do BRASIL LTDA. São Paulo, Brasil		
C2 REV. ECO 17-013915 HC 21SEP13		C1 REVISED PER ECO-09-026444 KK/AEG 28NOV09		DESCRIPTION .110 SERIES RECEPTACLE FASTIN - FASTON		
C REDRAWN WITH CHANGE		APP. H.B. 22-JUL-93		A3 DWG NO. C 881504 SHEET 1 of 1		
REVISION	RECORD	ECO	OR	DATE	APP.	

单击下面可查看定价，库存，交付和生命周期等信息

[>>TE Connectivity\(泰科\)](#)