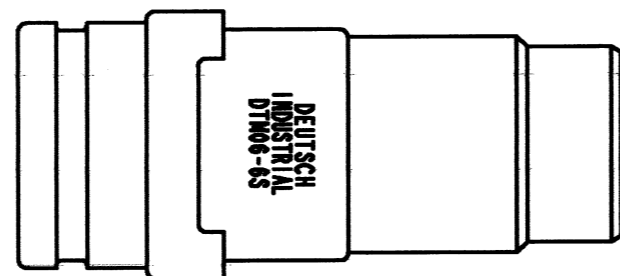
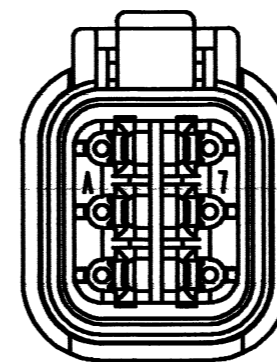
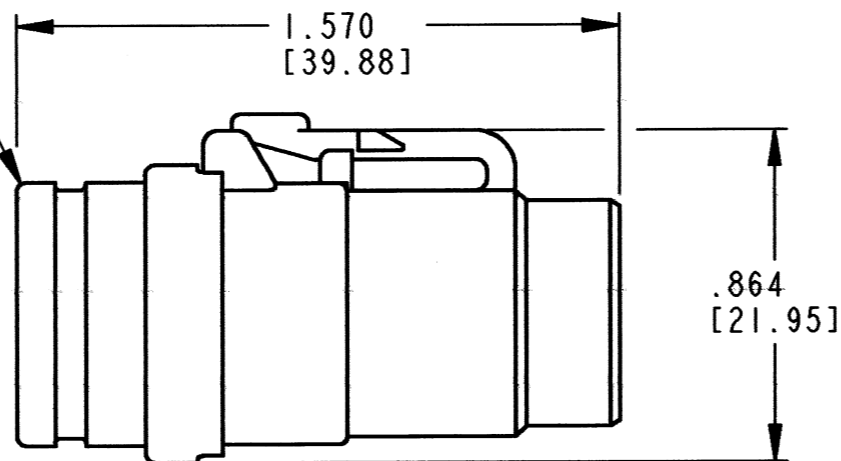
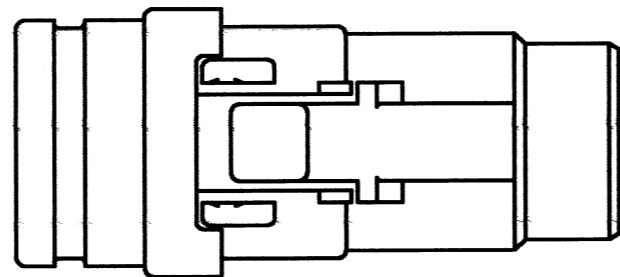


7  
SHRINK BOOT  
CAP



REV  
B DTM06-6S-E007

REVISIONS			
SYM	DESCRIPTION	DATE	APPROVED
NC	NEW RELEASE PER E.O. P17176	3-16-01	R.D.R.
A	REVISED PER E.O. P18399	11/24/03	R.D.R.
B	REVISED PER E.O. P20536	8-31-10	RDR

7. PART MODIFICATION.

6. MATERIAL - HOUSING/EXTENDED CAP: PLASTIC; GROMMET: RUBBER.

5. THIS PLUG MATES WITH DTM04-6P-\*\*\*\* RECEPTACLE.  
(\*\*\*\* = ALL MODIFICATIONS)

4. FOR CONTACT AND WIRE PERFORMANCE AND APPLICATION CHARACTERISTICS SEE ENVELOPE DRAWING 0425-015-0000.

3. SECONDARY WEDGE LOCK SOLD SEPARATELY: WM-6S.

2. DIMENSION TOLERANCE: ±.025 [.64].

1. DIMENSIONS ARE IN INCHES [mm].

NOTES: UNLESS OTHERWISE SPECIFIED

CONTACT SIZE	MIN. INSUL. O.D.	MAX. INSUL. O.D.	WIRE RANGE [mm <sup>2</sup> ] REF ONLY
20	.053 [1.35]	.120 [3.05]	16-20 AWG [1.0-0.5]

SIGNATURE & DATE	
DR	D. MEYER 03/08/01
CHK	R. Miller 8/20/10
PE	R. Milligan 8/10/10
APPD	S. Beard 8-13-10
SCALE	NONE
WT	

PLUG W/SHRINK BOOT CAP  
6 CONTACTS, SIZE 20  
COLOR: GREY  
-E007 MOD  
DTM SERIES

ENVELOPE

EP	MATL. CODE
3850 INDUSTRIAL AVE. HEMET, CA 92545	
<b>B</b> DTM06-6S-E007	
DWG SIZE	SHEET   OF
11139	

单击下面可查看定价，库存，交付和生命周期等信息

[>>TE Connectivity\(泰科\)](#)