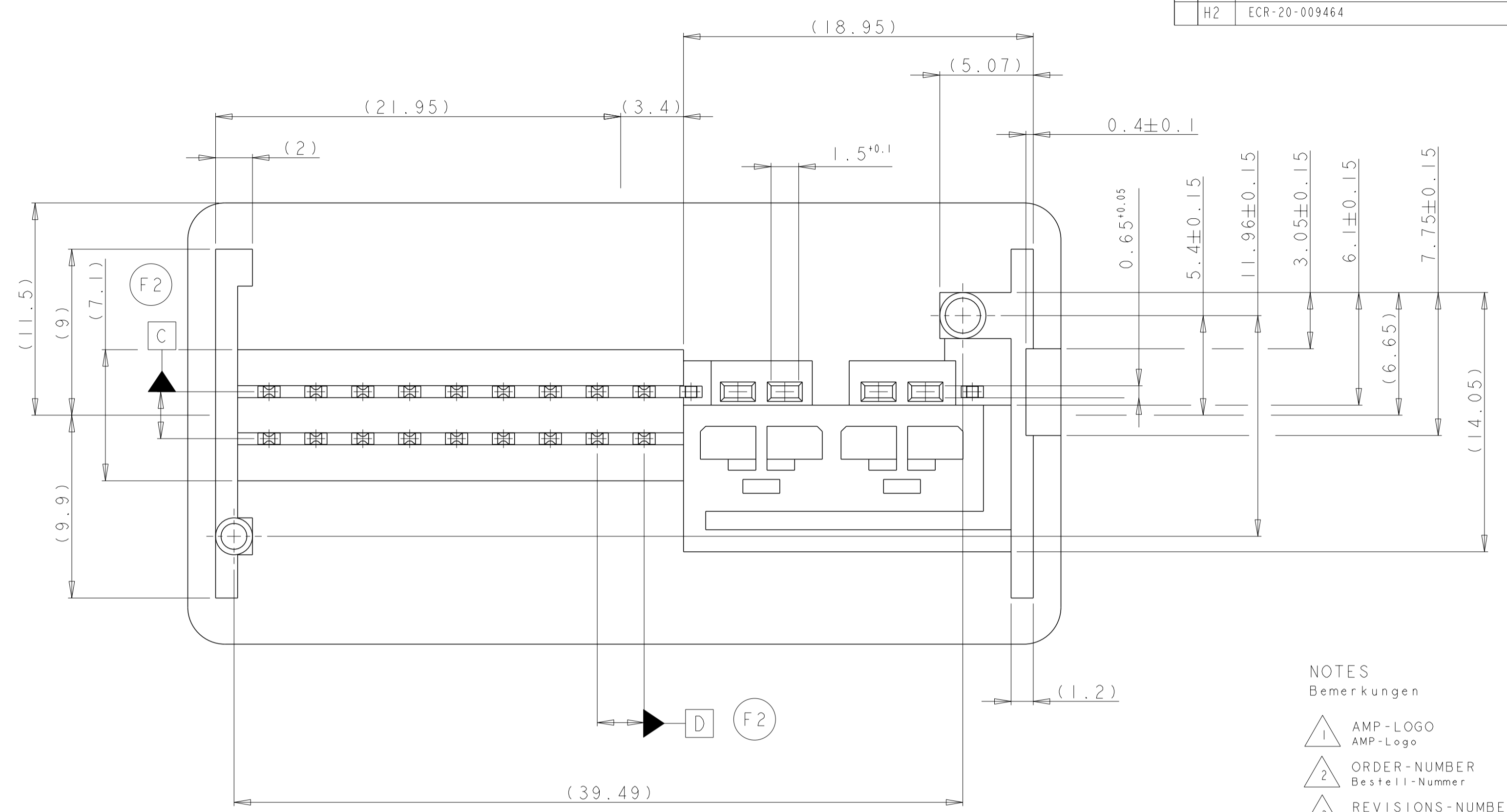
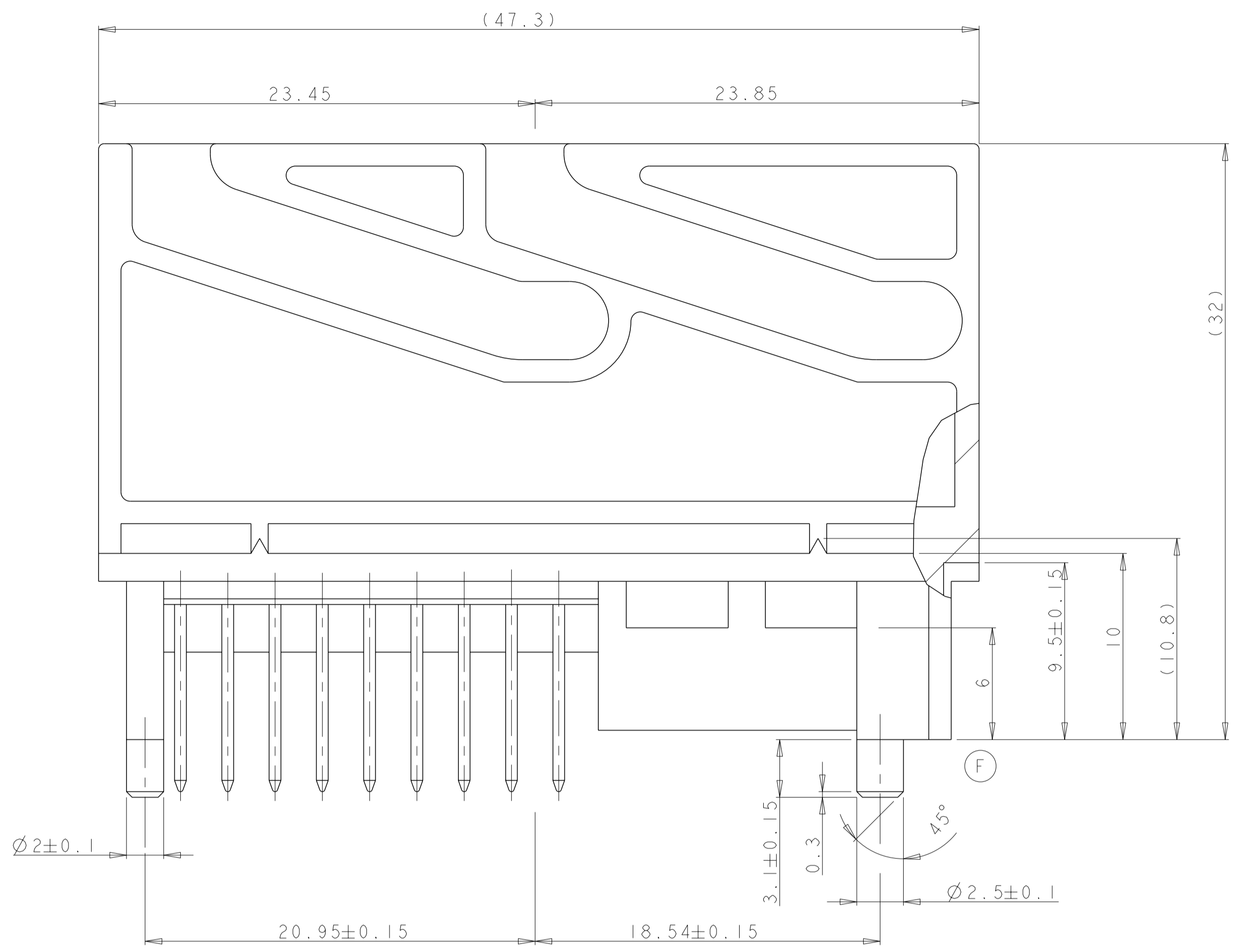
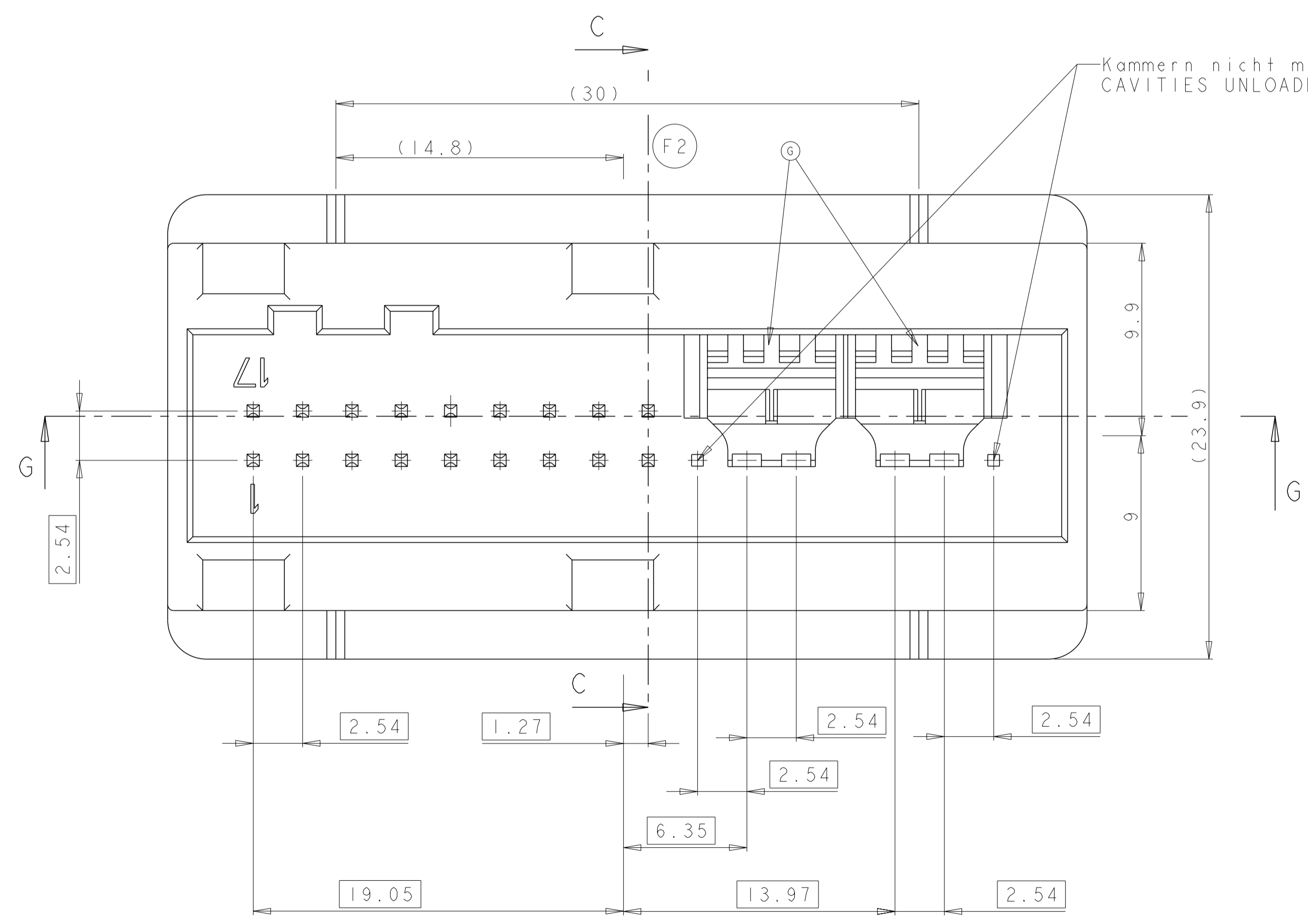


PROJEKT NO.
 A98-52140
 B909529

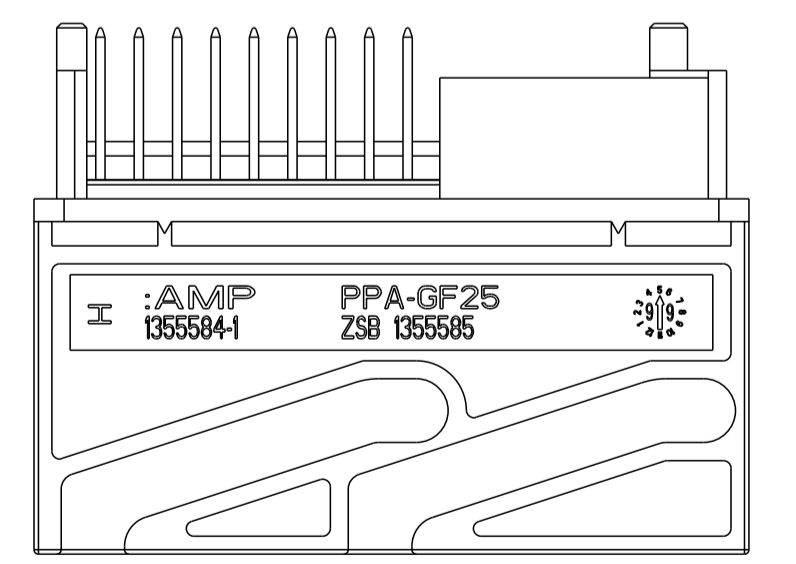
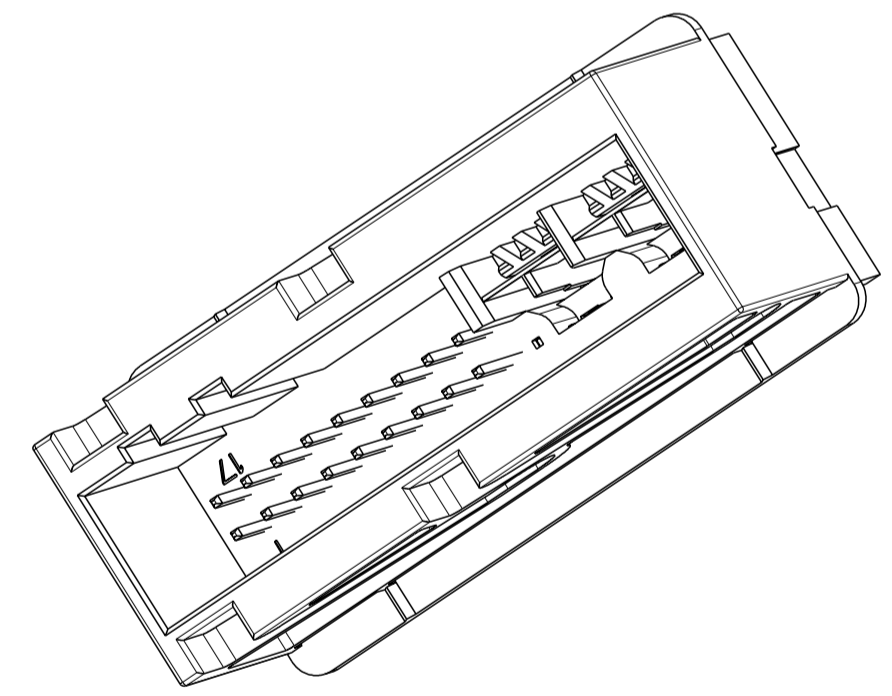
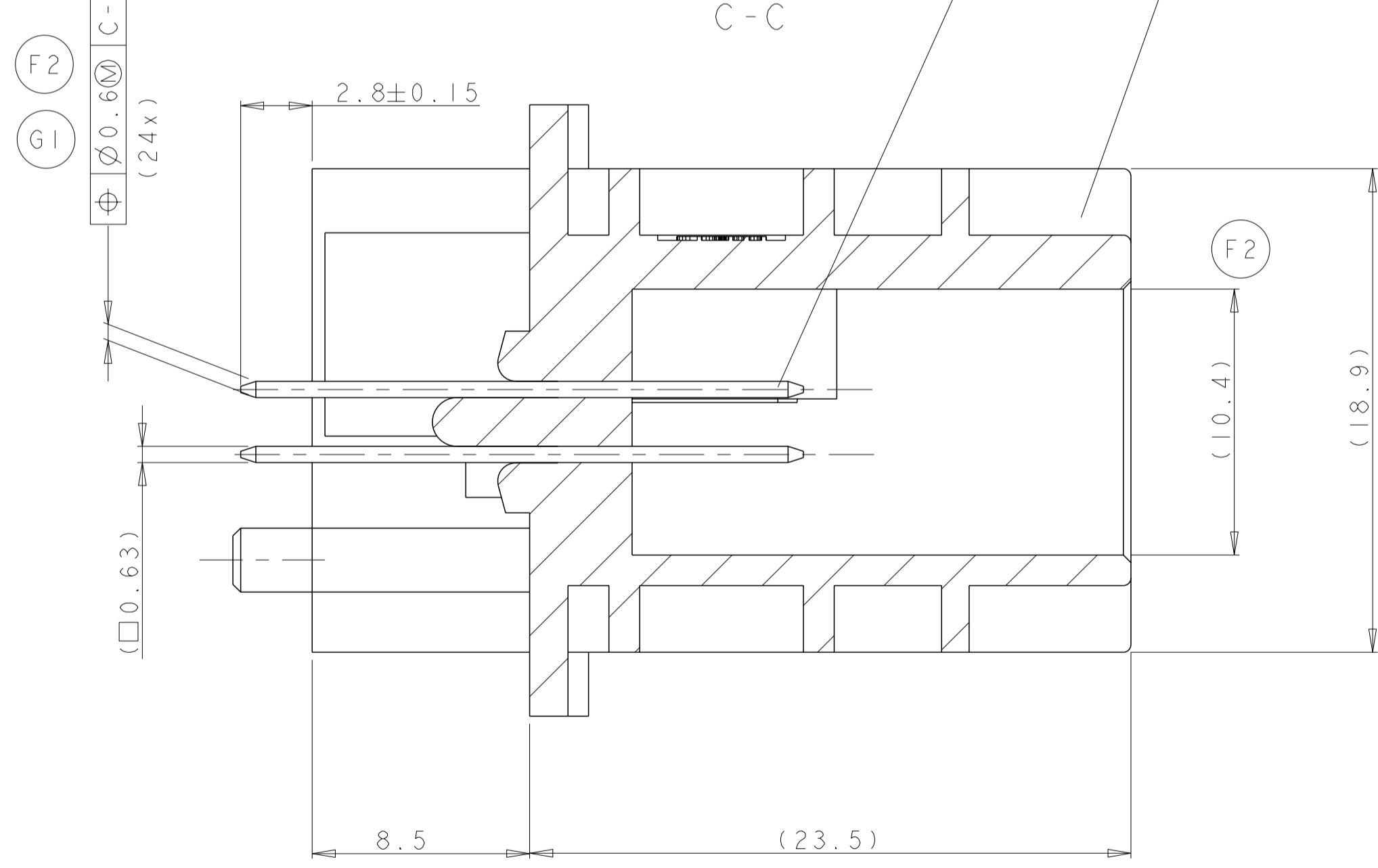
REVISONS		DATE	DWN	APVD
G1	SEE PCN E-06-005377	06MAR2006	HSCB	VB
H	SEE E-06-018039	26JUL2006	SC	HSCB
H1	SEE E-06-020971	31AUG2006	SC	HSCB
H2	ECR-20-009464	08JUL2020	VKS	PT



- NOTES
 Bemerkungen
- 1 AMP-LOGO
AMP-Logo
 - 2 ORDER-NUMBER
Bestell-Nummer
 - 3 REVISIONS-NUMBER
Werkzeugaenderungsindex
 - 4 TOOL CAVITY MARKING
Nestmarkierung
 - 5 CAVITY MARKING
Kammernummerierung
 - 6 -
 - 7 MATERIAL MARKING
Werkstoffkennzeichnung
 - 8 PRODUCTION-DATE
Produktions-Datum



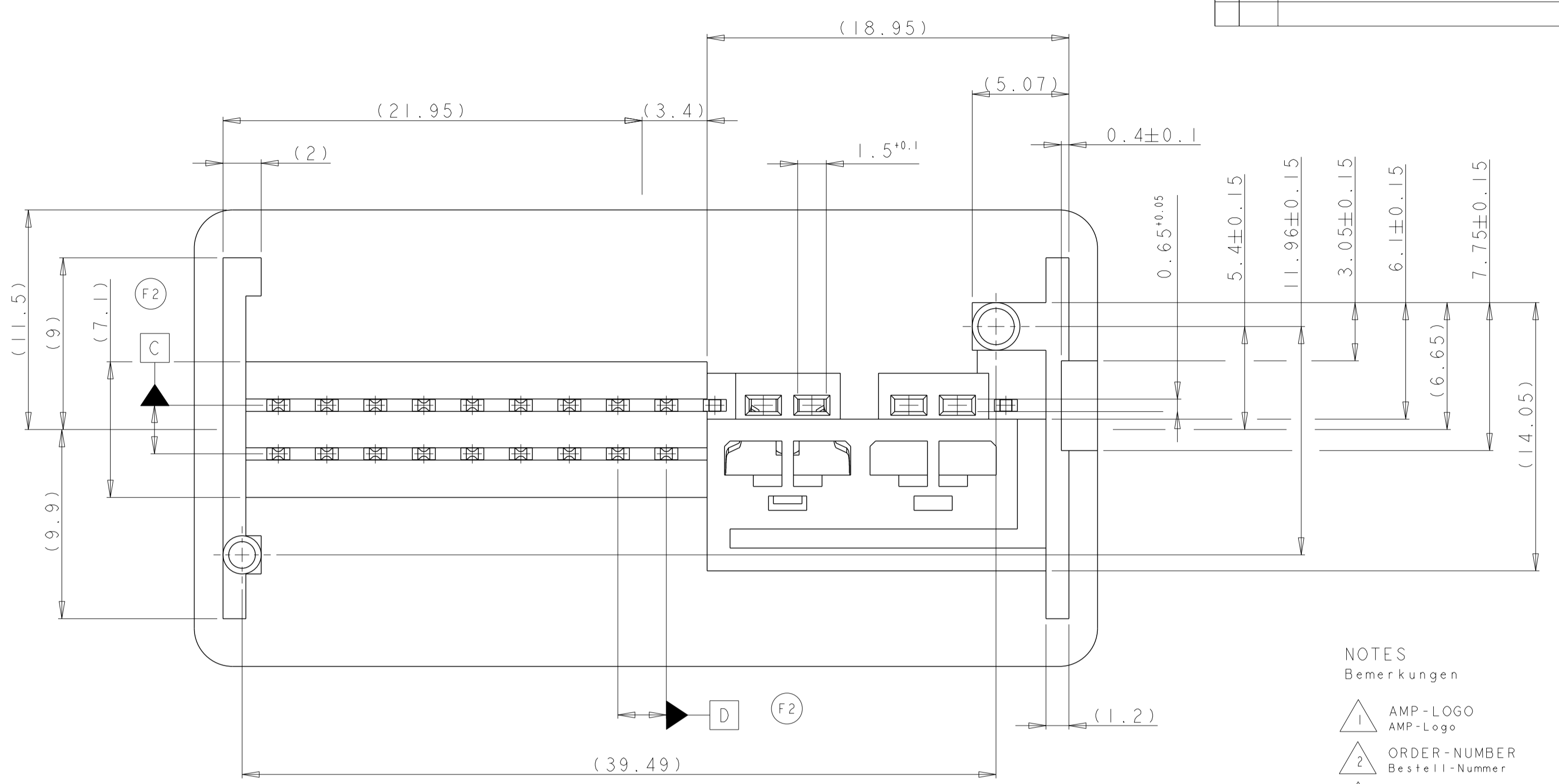
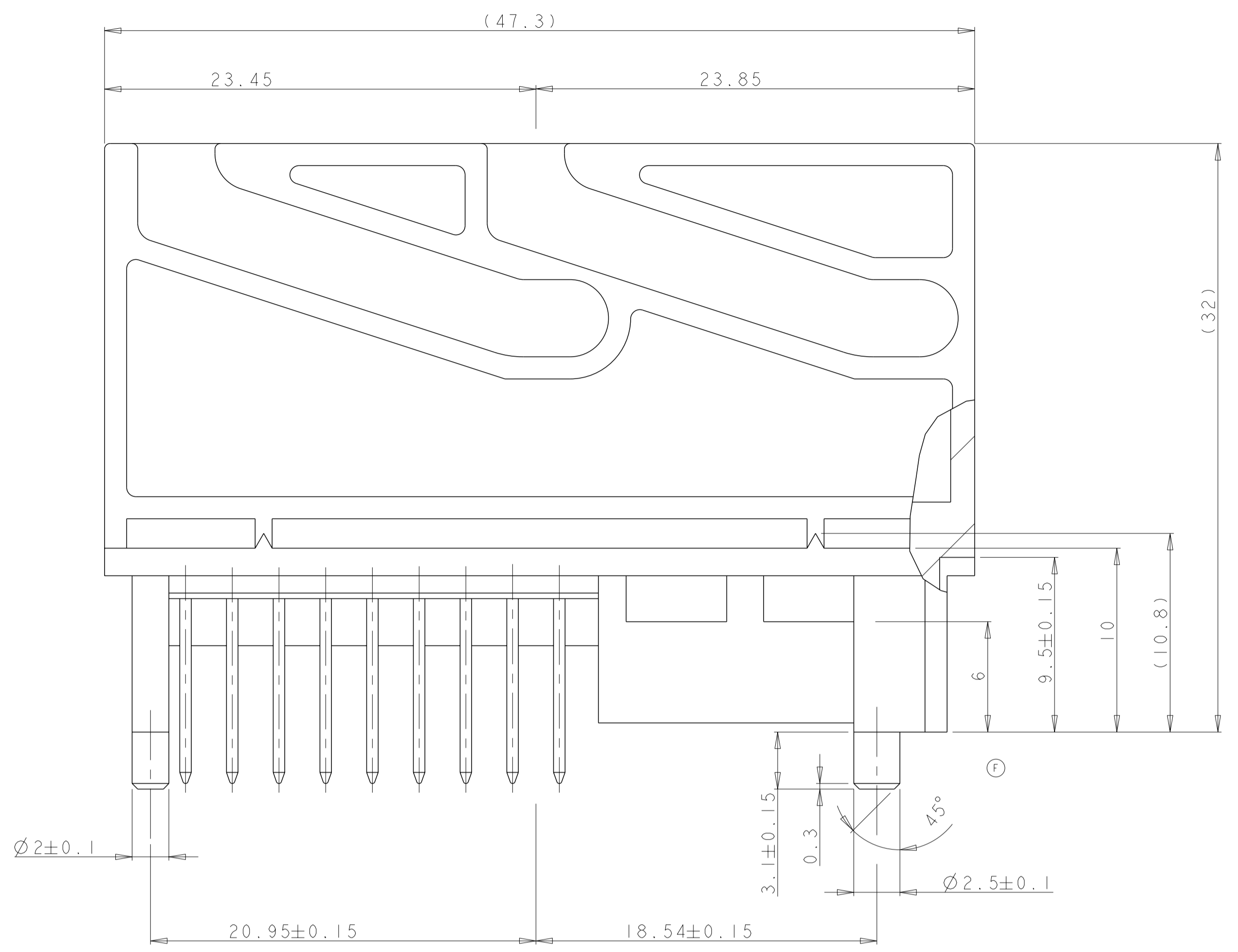
Kammern nicht mit Pins bestueckt
 CAVITIES UNLOADED WITH PINS



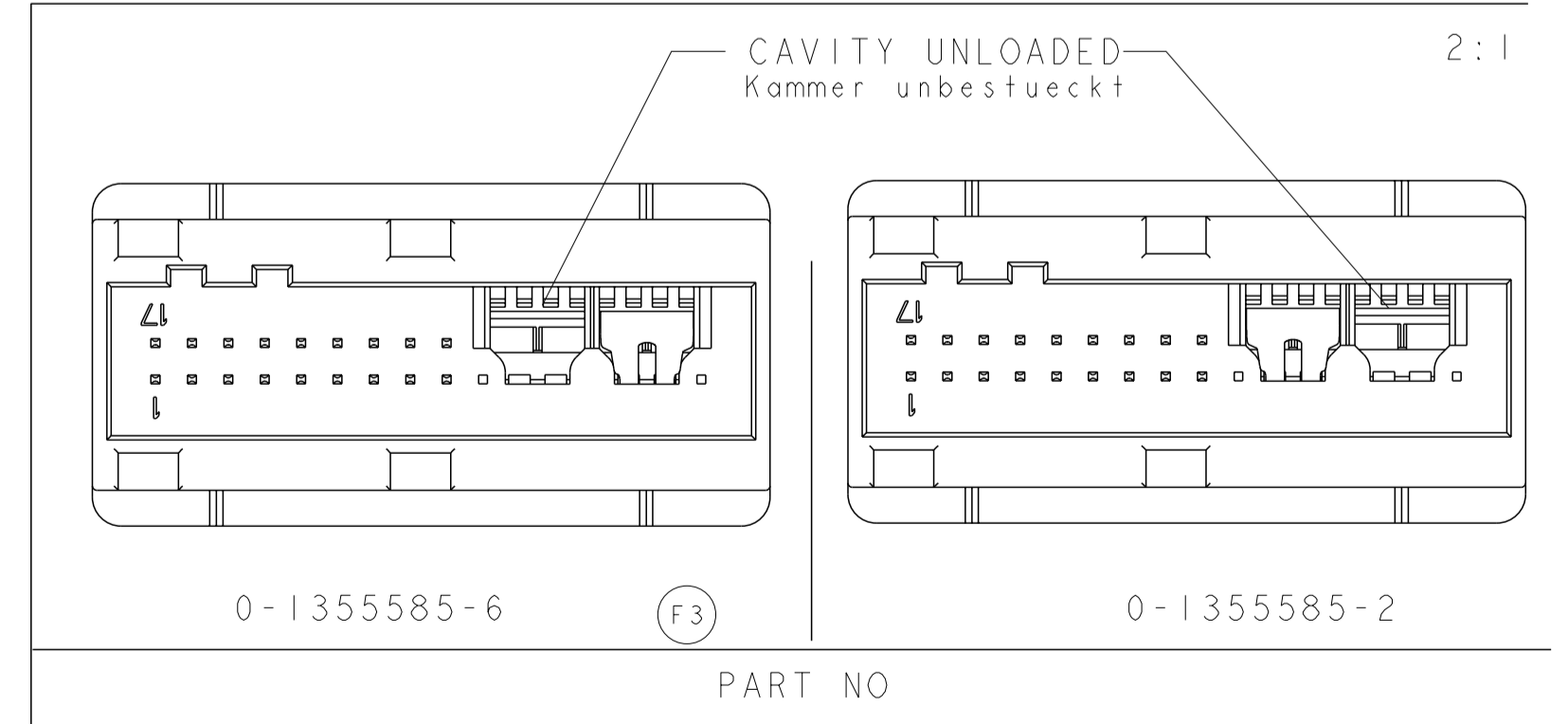
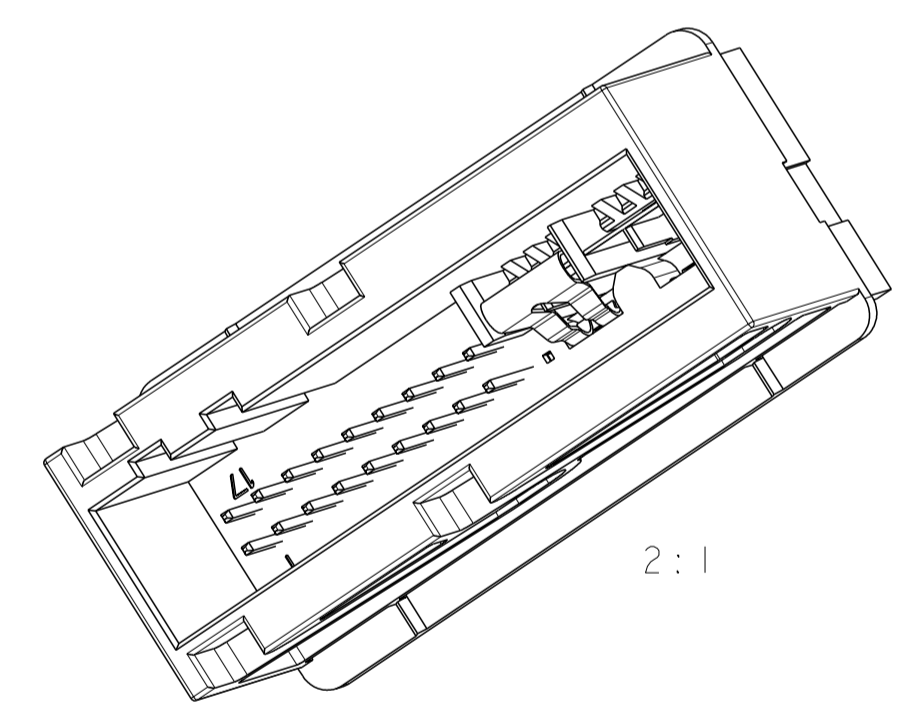
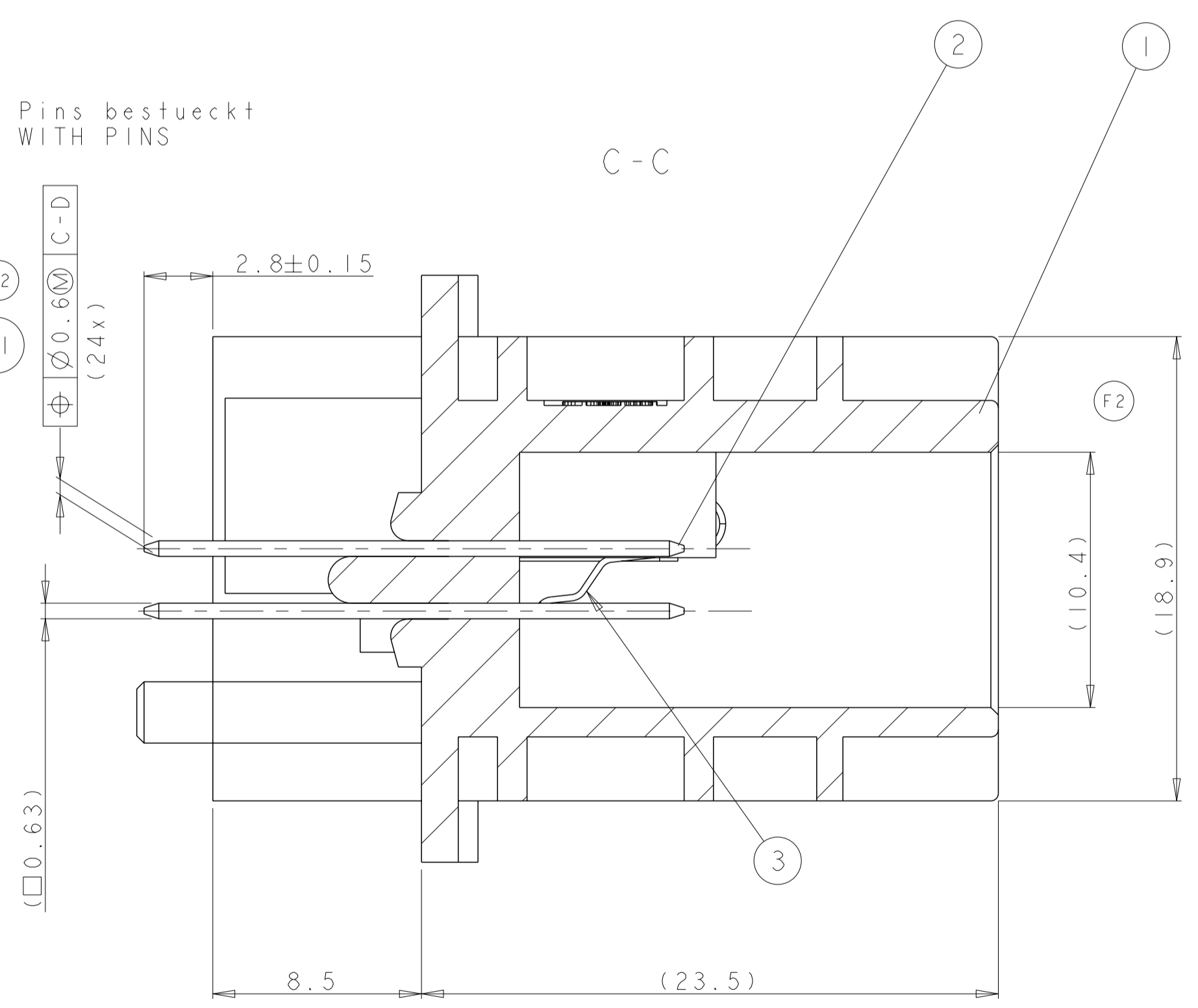
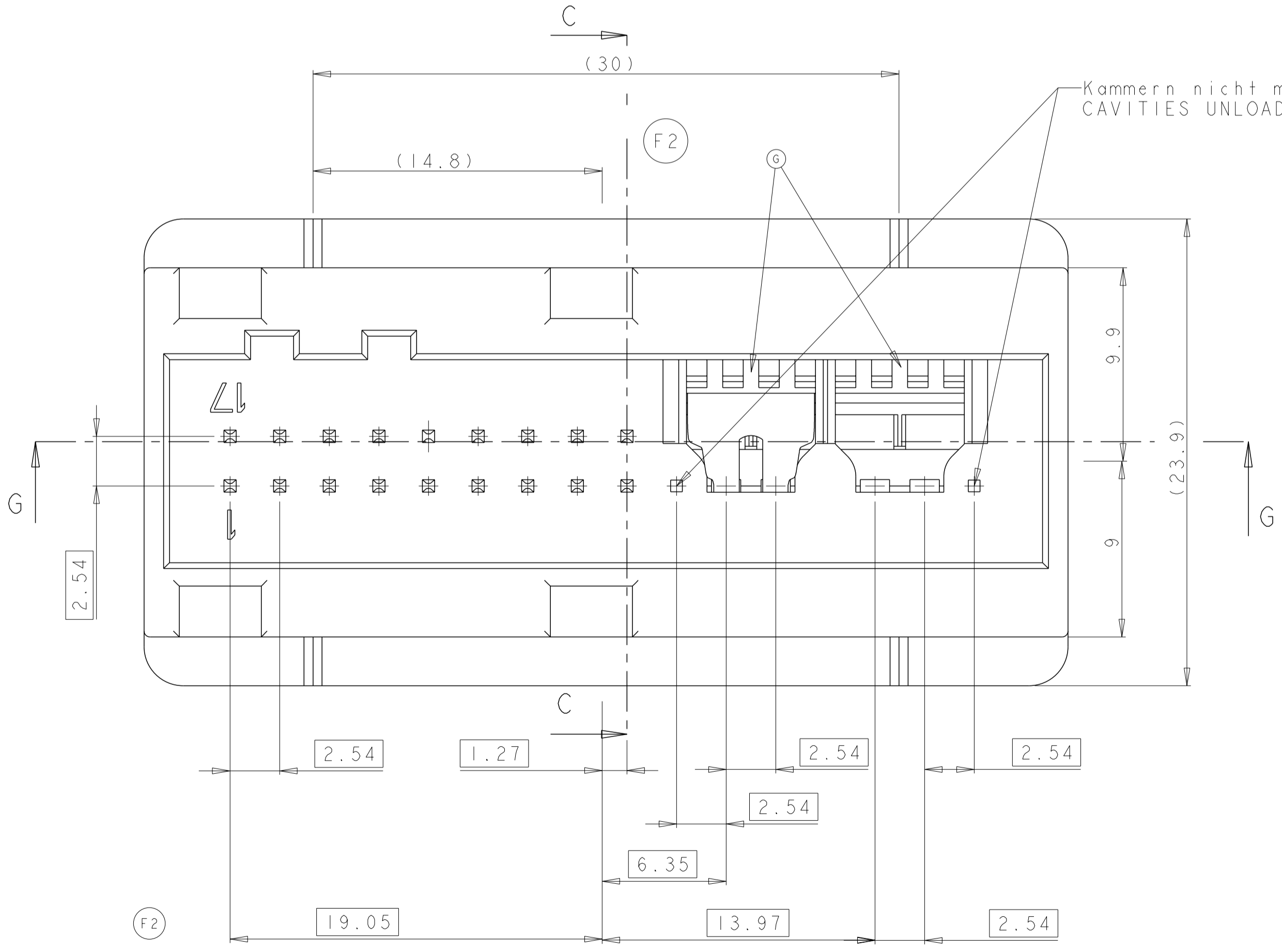
0-1241726-1	REC.-HOUSING FOR SHORT CIRCUIT BRIDGE
0-1241719-1	COVER WITH SLIDE, 90° FOR SHORT CIRCUIT BRIDGE
NUMBER NUMBER	DESCRIPTION BESCHREIBUNG
COUNTERPARTS GEGENSTECKER	

AMP PART NO. AMP Nummer	REV.	DESCRIPTION Beschreibung	QTY. Stck.	MATERIAL	SURFACE COLOR	ITEM NO.
0-1355585-1	H	AMP MODU II PIN PIN HEADER 18+4POS., COD. A	18	CuSn6	TIN PLATED	2

DIMENSIONS: mm		TOLERANCES UNLESS OTHERWISE SPECIFIED:		DWN J. Juin 21 JUL 99	AMP Tyco Electronics AMP GmbH D - 63225 Langen
0 PLC	±0.3	1 PLC	±0.3	CHK H. Schmitt 21 JUL 99	NAME 18+4POS. AMPMODU II PIN HEADER
2 PLC	±0.3	3 PLC	±0.3	APVD -	PRODUCT SPEC 108-18688
4 PLC	±0.3	ANGLES	±2°	APPLICATION SPEC 114-18334	18+4Pos. AMPMODU II Stiftwanne
MATERIAL	-	FINISH	-	SIZE 00779 C=1355585	RESTRICTED TO
WEIGHT	-	CUSTOMER DRAWING	-	SCALE 5:1	SHEET 1 OF 4 REV H2



- NOTES
 Bemerkungen
- 1 AMP-LOGO
AMP-Logo
 - 2 ORDER-NUMBER
Bestell-Nummer
 - 3 REVISIONS-NUMBER
Werkzeugaenderungsindex
 - 4 TOOL CAVITY MARKING
Nestmarkierung
 - 5 CAVITY MARKING
Kammernummerierung
 - 6 -
 - 7 MATERIAL MARKING
Werkstoffkennzeichnung
 - 8 PRODUCTION-DATE
Produktions-Datum



0-1241726-1	REC.-HOUSING FOR SHORT CIRCUIT BRIDGE
0-1241719-1	COVER WITH SLIDE, 90° FOR SHORT CIRCUIT BRIDGE
NUMBER NUMBER	DESCRIPTION BESCHREIBUNG
COUNTERPARTS GEGENSTECKER	

AS SHOWN
 0-1355585-2
 wie gezeichnet

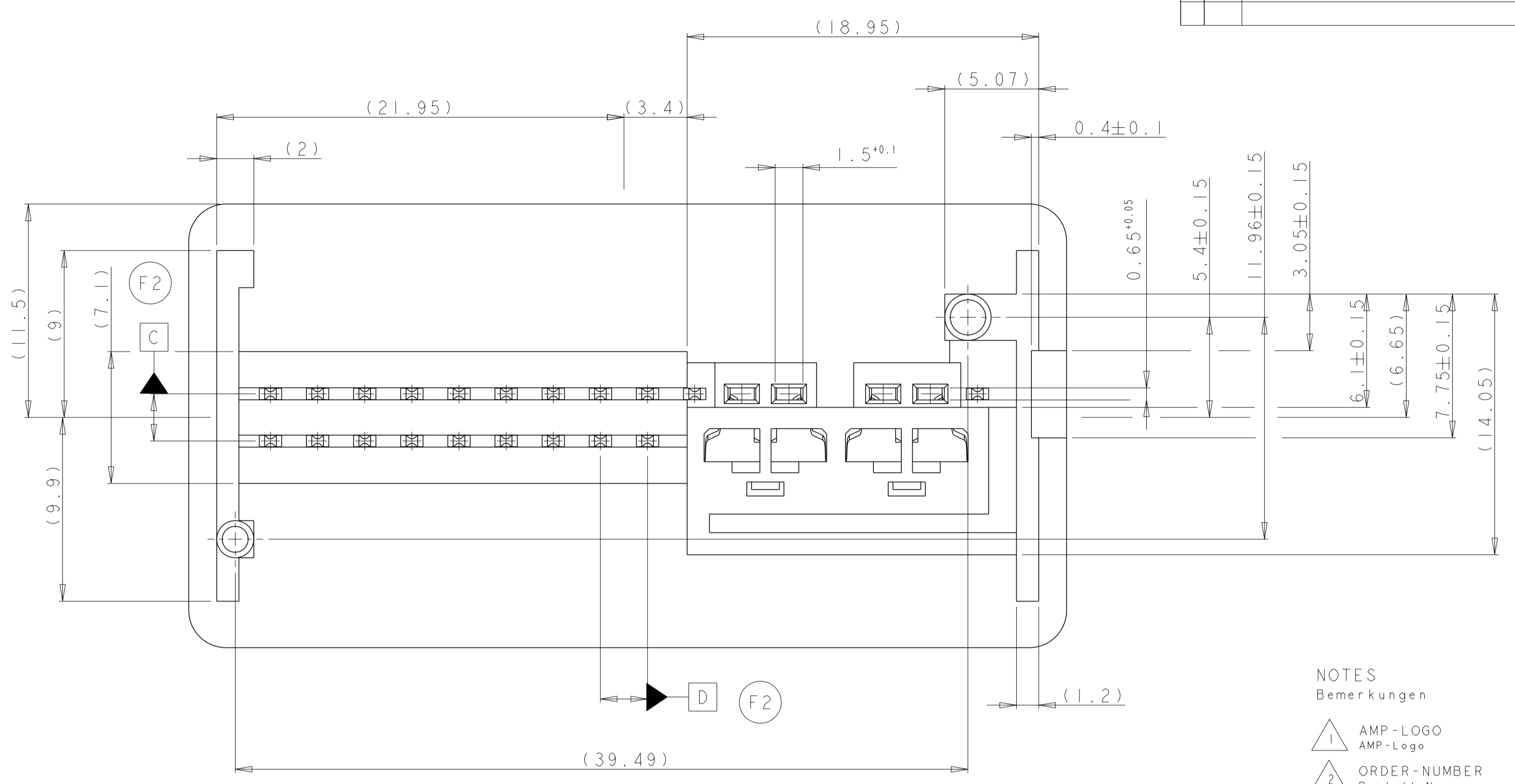
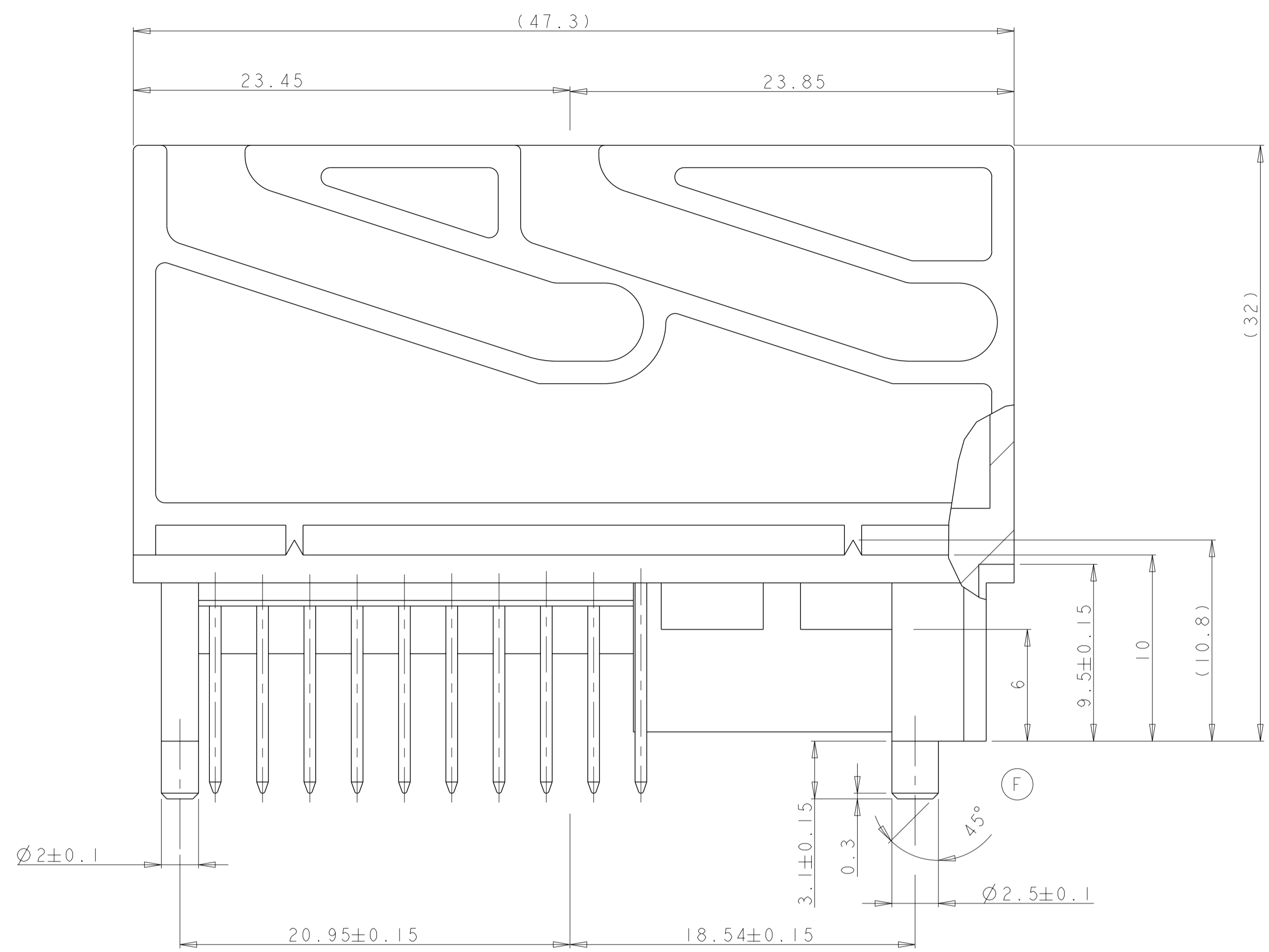
AMP PART NO. AMP Nummer	REV.	DESCRIPTION Beschreibung	QTY. Stck.	MATERIAL	SURFACE COLOR	ITEM NO.
0-1355585-6	C	SHORT CIRCUIT SPRING	1	X12CrNi177	>3.0µm Au selektiv am Kontaktpunkt	3
		AMP MODU II PIN	18	CuSn6	TIN PLATED	2
		PIN HEADER 18+4POS., COD. A	1	PPA-GF 25	BLACK	1
0-1355585-2	H	SHORT CIRCUIT SPRING	1	X12CrNi177	>3.0µm Au selektiv am Kontaktpunkt	3
		AMP MODU II PIN	18	CuSn6	TIN PLATED	2
		PIN HEADER 18+4POS., COD. A	1	PPA-GF 25	BLACK	1

DIMENSIONS: mm
 TOLERANCES UNLESS OTHERWISE SPECIFIED:
 0 PLC ±0.3
 1 PLC ±0.3
 2 PLC ±0.3
 3 PLC ±0.3
 4 PLC ±0.3
 ANGLES ±2°

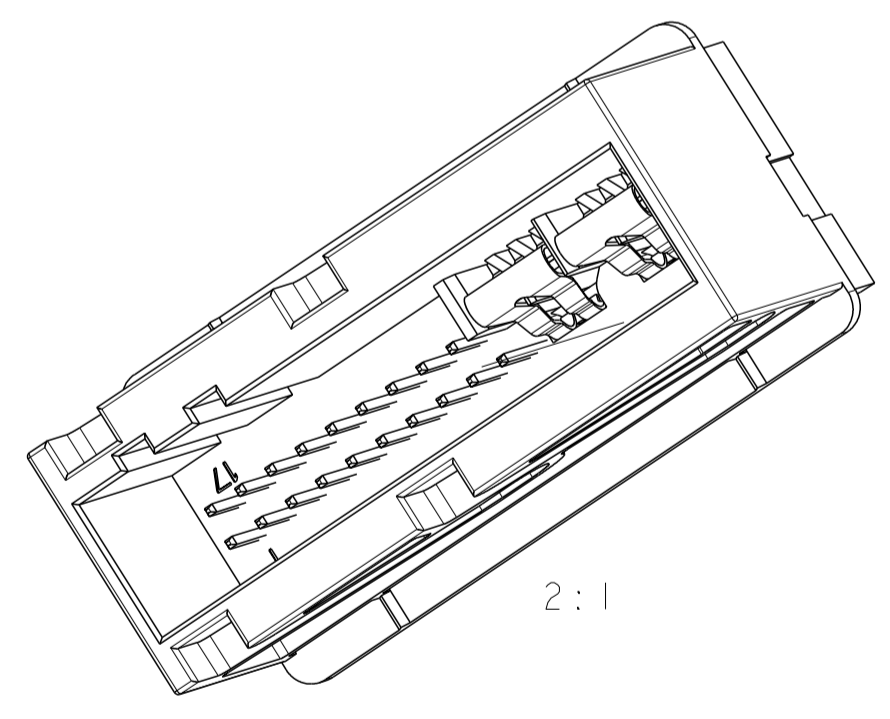
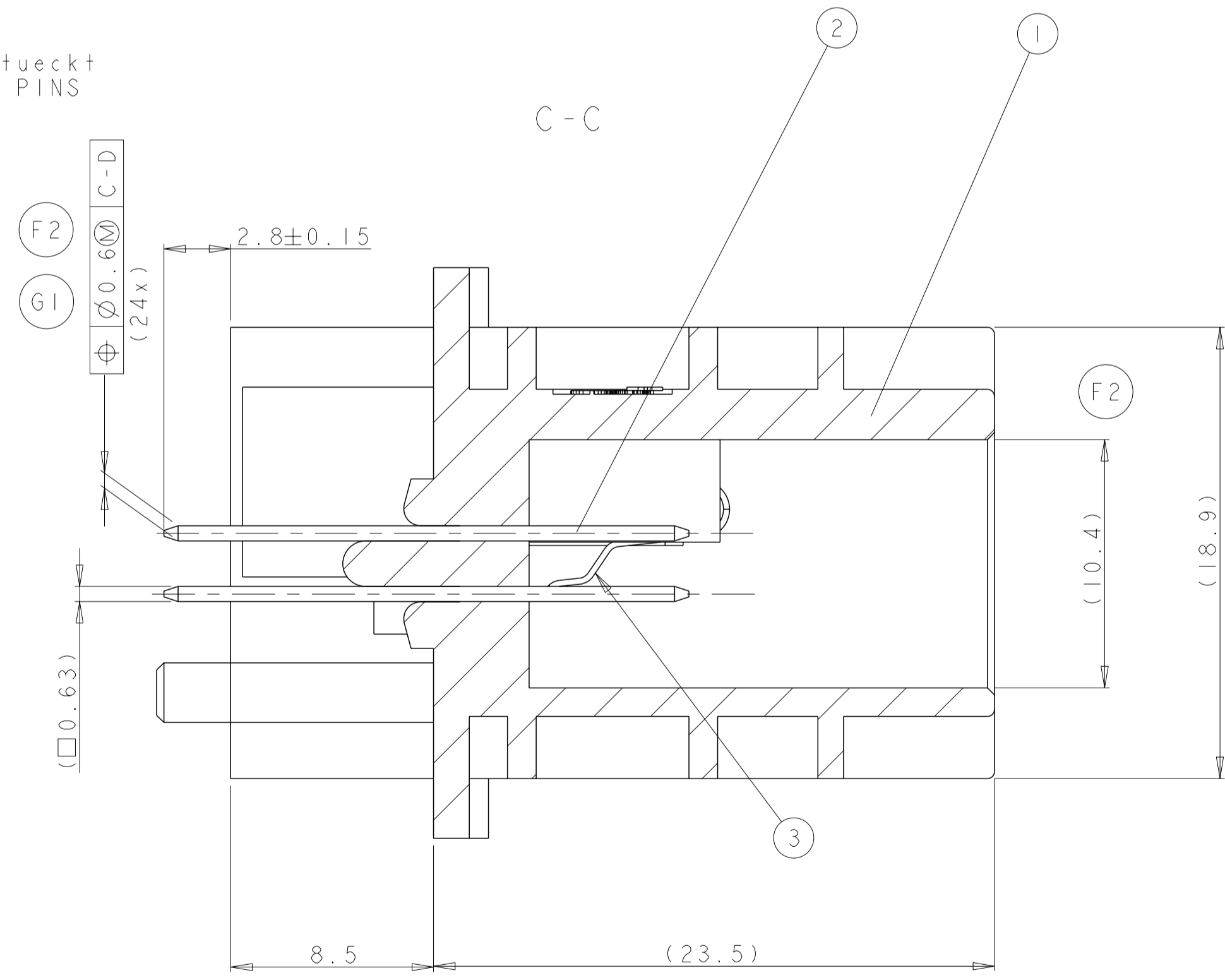
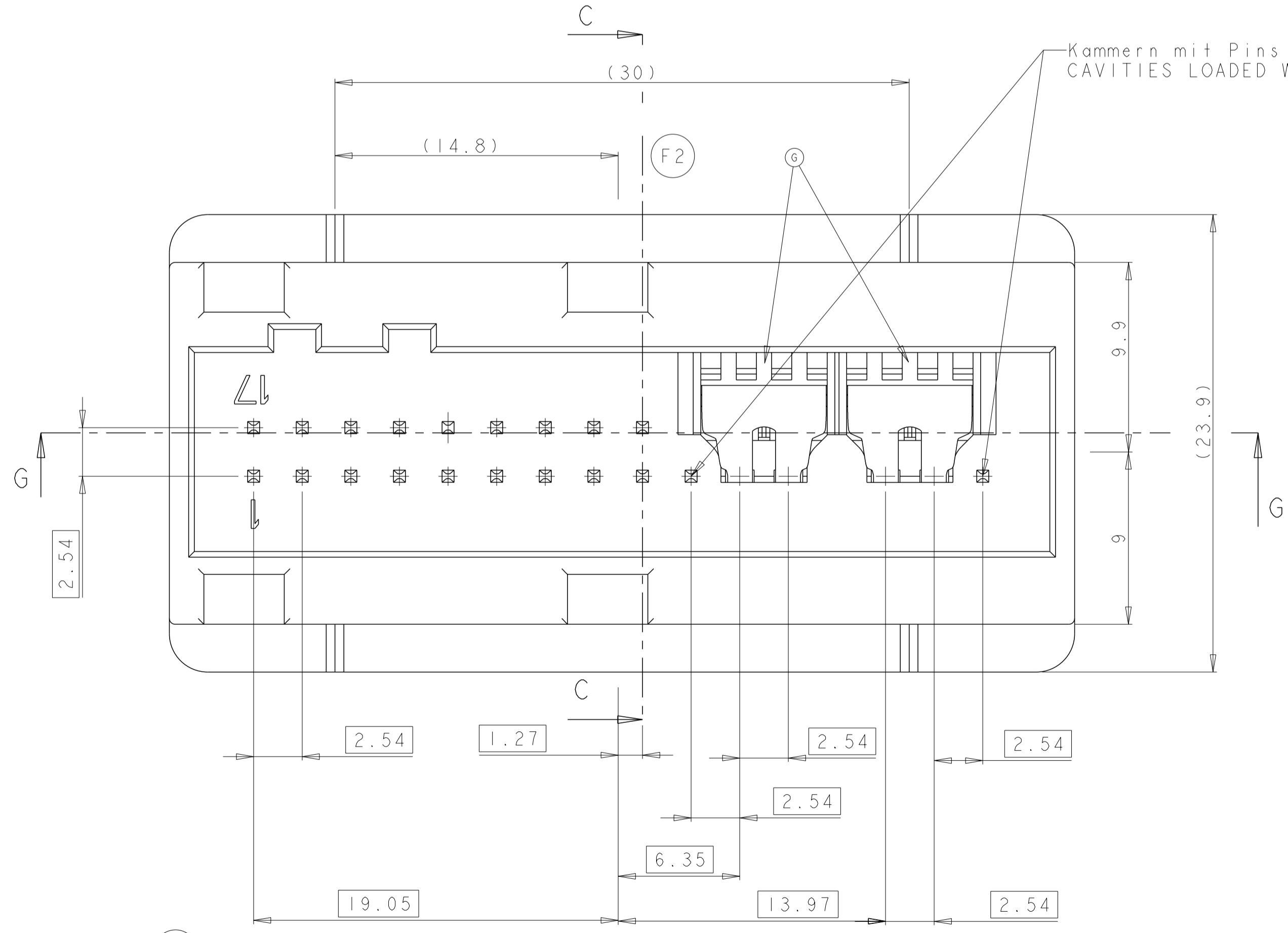
DWN H. Schmitt 130CT00
 CHK V. BERGMANN 10AUG01
 APVD -
 NAME 18+4POS. AMPMODU II PIN HEADER
 PRODUCT SPEC 108-18688-1
 APPLICATION SPEC 114-18334-1
 WEIGHT -
 CUSTOMER DRAWING

AMP Tyco Electronics AMP GmbH
 D - 63225 Langen
 SIZE CAGE CODE DRAWING NO 18+4POS. AMPMODU II Stiftwanne
 114-18334-1
 A1 00779 ©=1355585
 SCALE 5:1 SHEET 2 OF 4 REV H2

REVISONS		DATE	DWN	APVD
P	LTR	DESCRIPTION		
-	-	SEE SHEET 1	-	-
-	-		-	-
-	-		-	-



- NOTES
 Bemerkungen
- 1 AMP-LOGO
AMP-Logo
 - 2 ORDER-NUMBER
Bestell-Nummer
 - 3 REVISIONS-NUMBER
Werkzeugaenderungsindex
 - 4 TOOL CAVITY MARKING
Nestmarkierung
 - 5 CAVITY MARKING
Kammernumerierung
 - 6 -
 - 7 MATERIAL MARKING
Werkstoffkennzeichnung
 - 8 PRODUCTION-DATE
Produktions-Datum

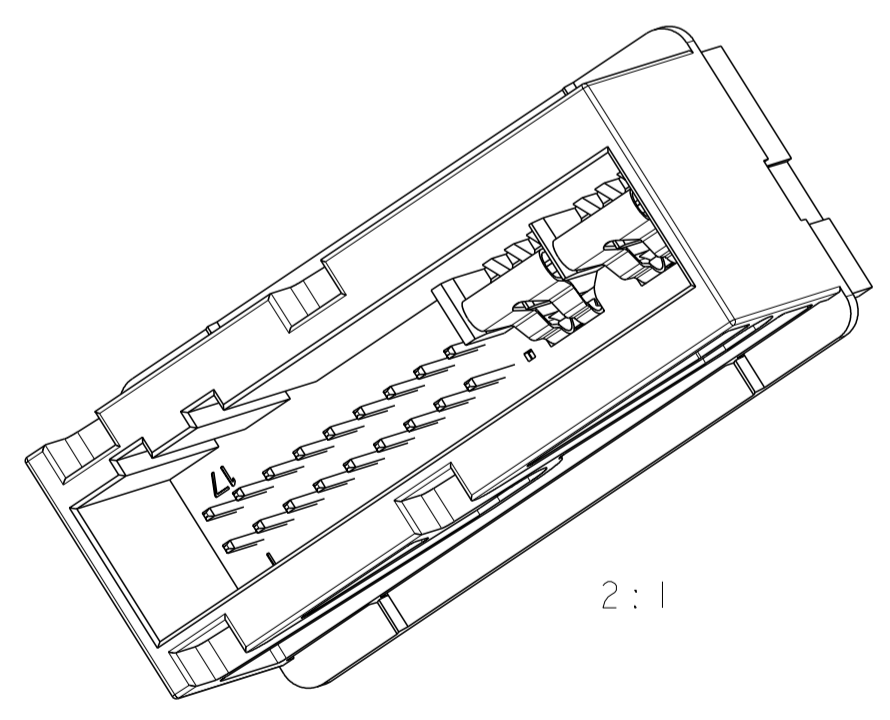
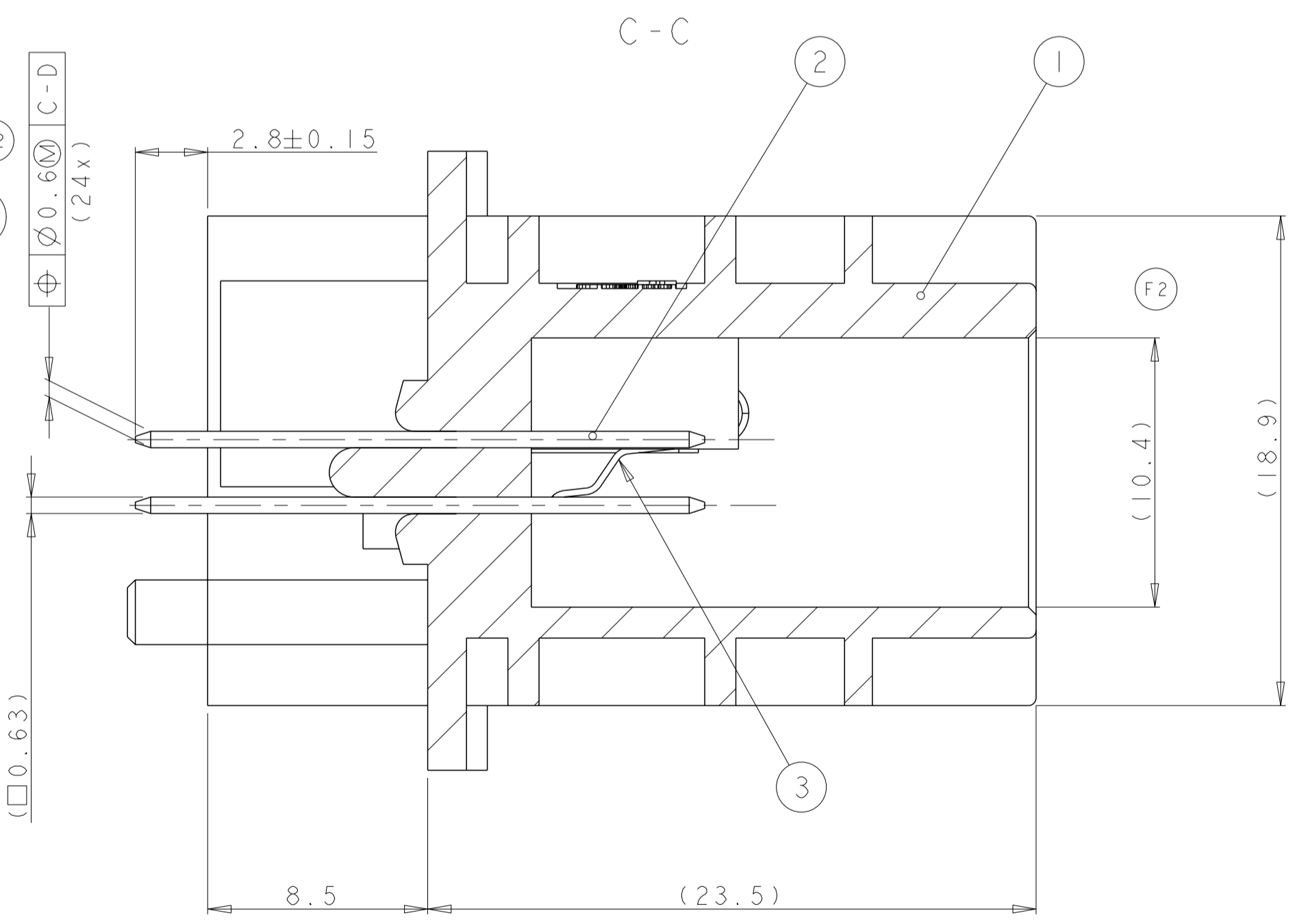
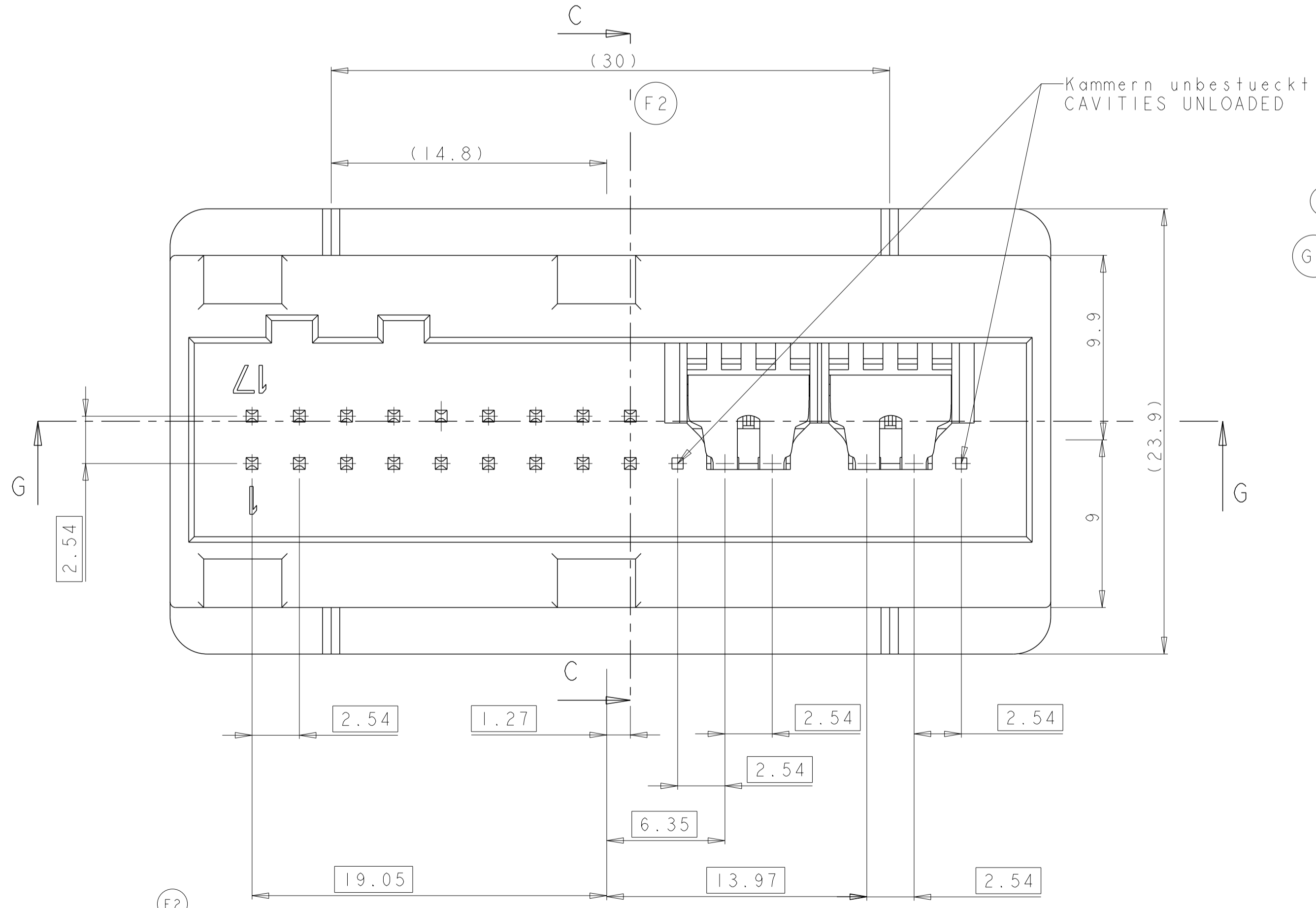
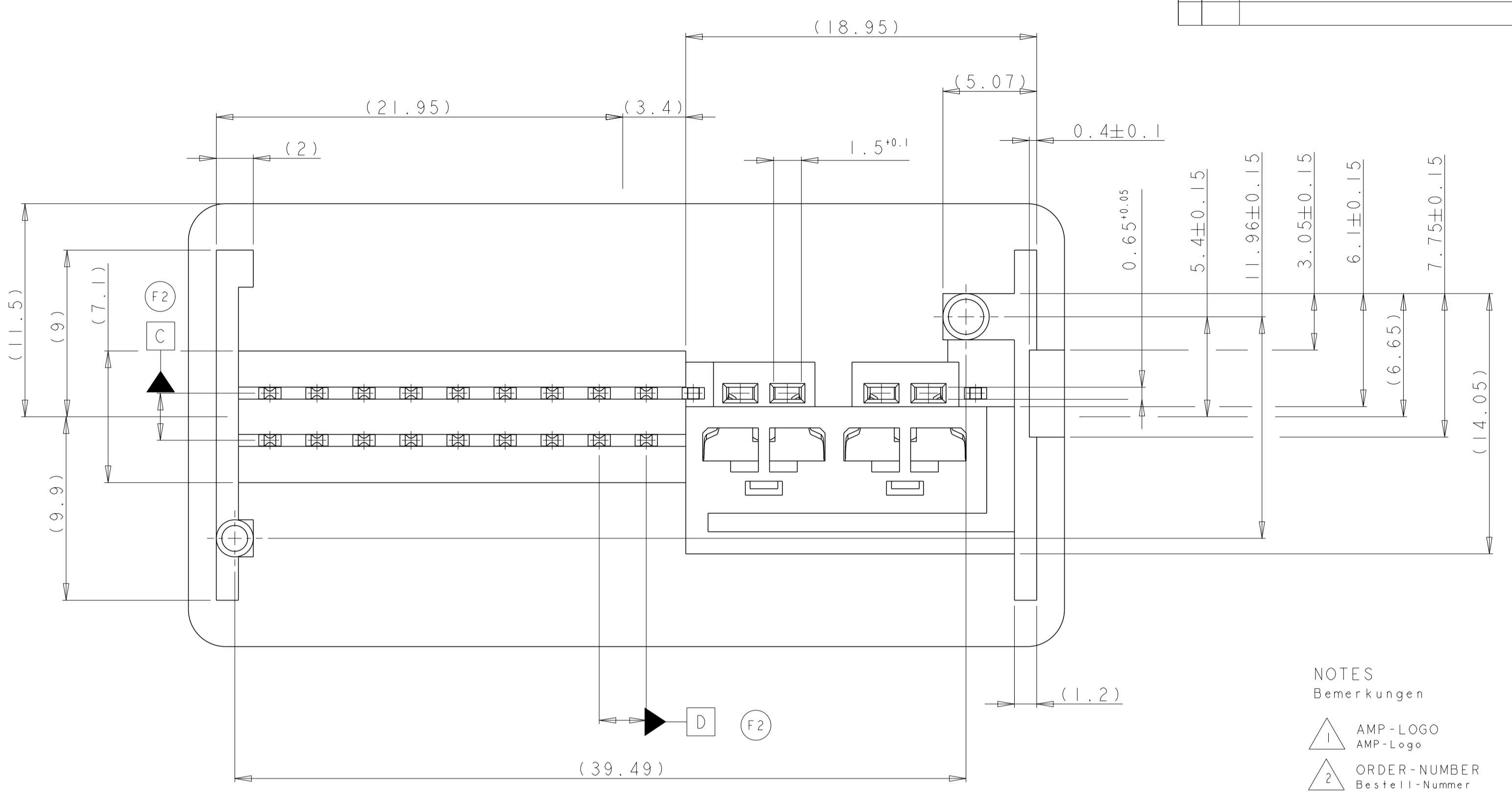
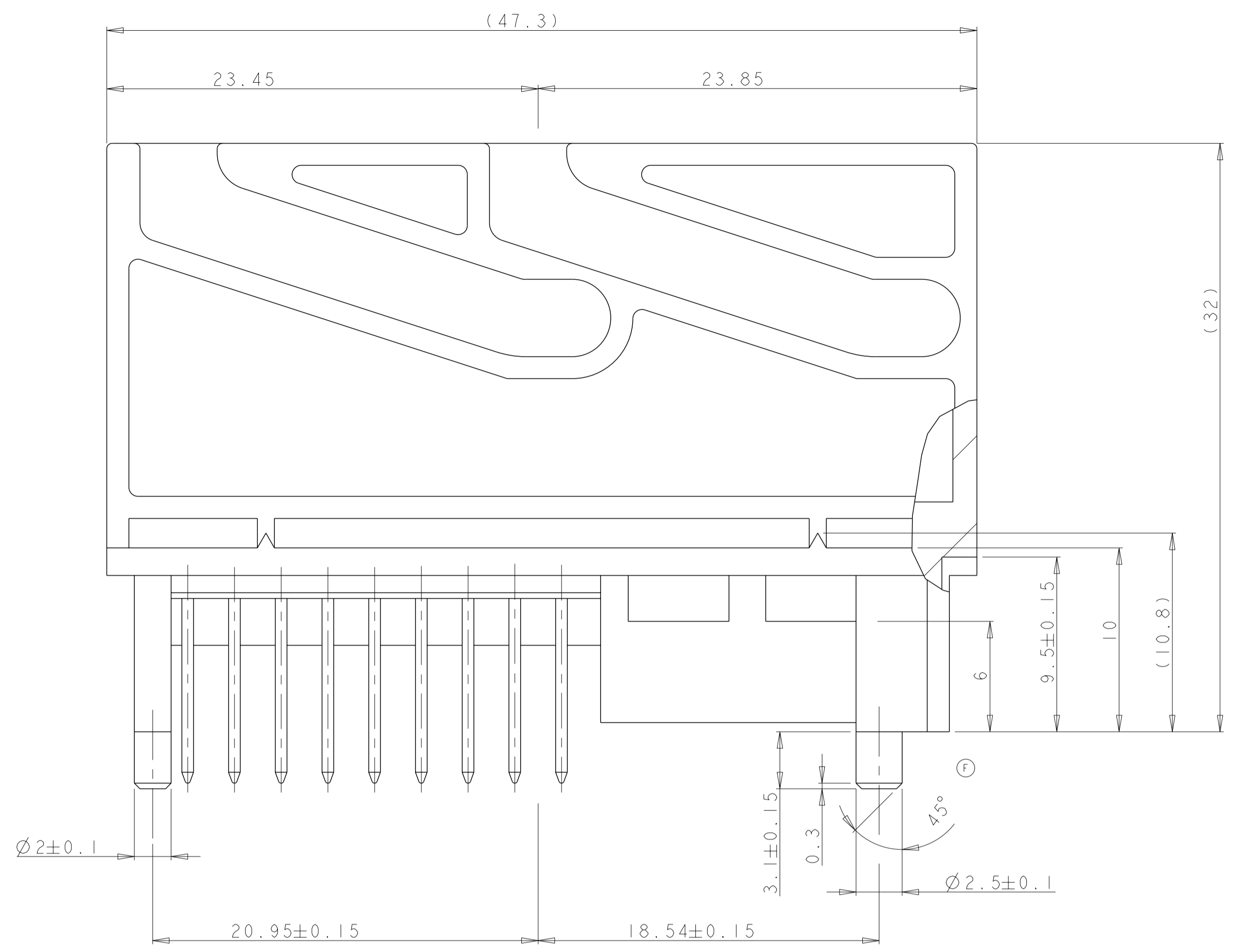


0-1241726-1	REC.-HOUSING FOR SHORT CIRCUIT BRIDGE
0-1241719-1	COVER WITH SLIDE, 90° FOR SHORT CIRCUIT BRIDGE
NUMBER	DESCRIPTION
NUMBER	BESCHREIBUNG
COUNTERPARTS GEGENSTECKER	

AMP PART NO.	REV.	DESCRIPTION	QTY.	MATERIAL	SURFACE	ITEM
AMP Nummer		Beschreibung	Stück.		COLOR	NO.
0-1355585-3	H2	SHORT CIRCUIT SPRING	2	X12CrNi177	3.0µm Au selektiv	3
		AMP MODUL PIN	20	CuSn6	TIN PLATED	2
		PIN HEADER 18+4POS., COD. A	1	PPA-GF 25	BLACK	1

DWN	H.Schmitt	130CT00	AMP	Tyco Electronics AMP GmbH
CHK	V.BERGANN	09AUG01		D - 63225 Langen
APVD			NAME	18+4POS. AMPMODU II PIN HEADER
			PRODUCT SPEC	108-18688-1
			APPLICATION SPEC	18+4pol. AMPMODU II Stiftwanne
			SIZE	114-18334-1
			CAGE CODE	00779
			DRAWING NO	1355585
			RESTRICTED TO	
			WEIGHT	
			CUSTOMER DRAWING	
			SCALE	5:1
			SHEET	3 OF 4
			REV	H2

REVISONS		DATE	DWN	APVD
P	LTR	DESCRIPTION		
-	-	SEE SHEET 1	-	-
-	-		-	-
-	-		-	-



- NOTES
 Bemerkungen
- 1 AMP-LOGO
AMP-Logo
 - 2 ORDER-NUMBER
Bestell-Nummer
 - 3 REVISIONS-NUMBER
Werkzeugaenderungsindex
 - 4 TOOL CAVITY MARKING
Nestmarkierung
 - 5 CAVITY MARKING
Kammernummerierung
 - 6 -
 - 7 MATERIAL MARKING
Werkstoffkennzeichnung
 - 8 PRODUCTION-DATE
Produktions-Datum

0-1241726-1	REC.-HOUSING FOR SHORT CIRCUIT BRIDGE
0-1241719-1	COVER WITH SLIDE, 90° FOR SHORT CIRCUIT BRIDGE
NUMBER NUMBER	DESCRIPTION BESCHREIBUNG
COUNTERPARTS GEGENSTECKER	

AMP PART NO. AMP Bestell-Nr.	REV.	DESCRIPTION Beschreibung	QTY. Stck.	MATERIAL	SURFACE COLOR	ITEM NO.
0-1355585-5	C	SHORT CIRCUIT SPRING	2	XI2CrNi177	53.0um Au selektiv am Kontaktpunkt	3
		AMP MODU II PIN	18	CuSn6	TIN PLATED	2
		PIN HEADER 18+4POS., COD. A	1	PPA-GF 25	BLACK	1

DIMENSIONS: mm		TOLERANCES UNLESS OTHERWISE SPECIFIED:		DWN A.Richter 09JUL2001	tyco Electronics	Tyco Electronics AMP GmbH D - 63225 Langen
0 PLC	±0.3	1 PLC	±0.3	CHK H.Schmitt 10JUL2001		
2 PLC	±0.3	3 PLC	±0.3	APVD -	NAME	18+4POS. AMPMODU II PIN HEADER
4 PLC	±0.3	ANGLES	±2°	PRODUCT SPEC	SIZE	18+4pol. AMPMODU II Stiftwanne
MATERIAL				FINISH	APPLICATION SPEC	RESTRICTED TO
CAGE CODE				DRAWING NO	114-18334-1	
WEIGHT				SCALE	00779	©=1355585
CUSTOMER DRAWING				SCALE	5:1	SHEET 4 OF 4 REV H2

单击下面可查看定价，库存，交付和生命周期等信息

[>>TE Connectivity\(泰科\)](#)