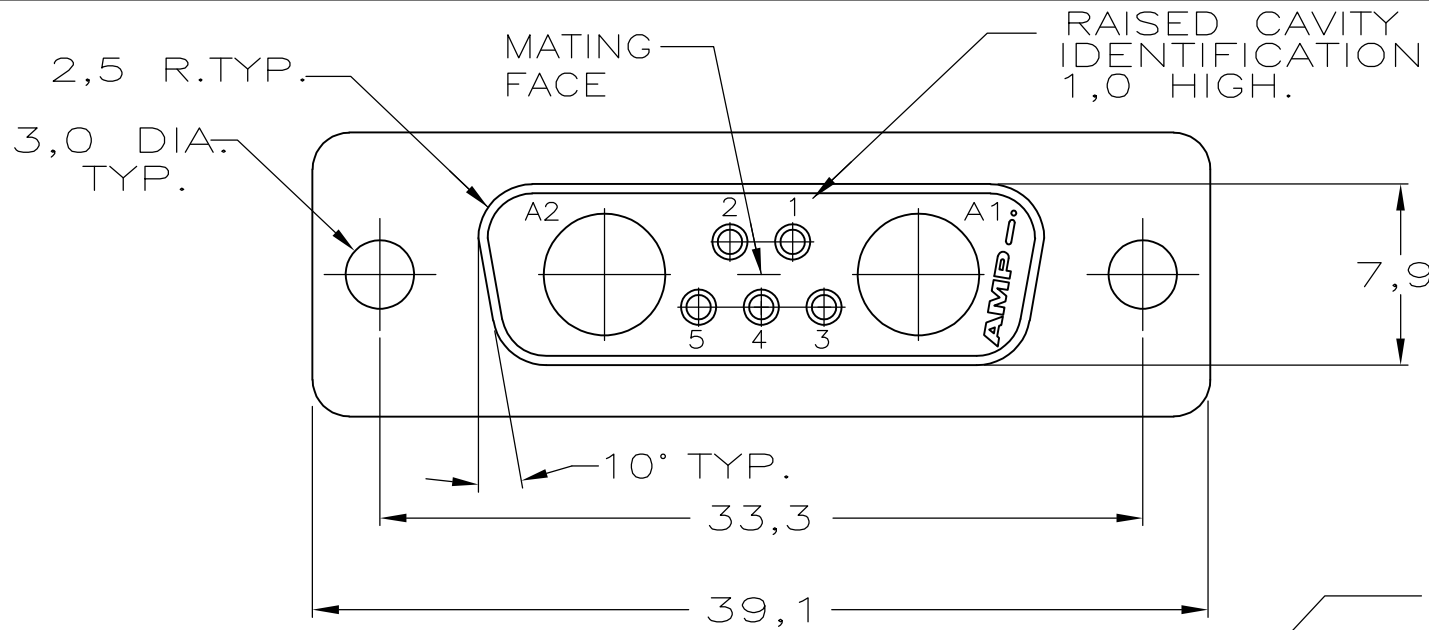
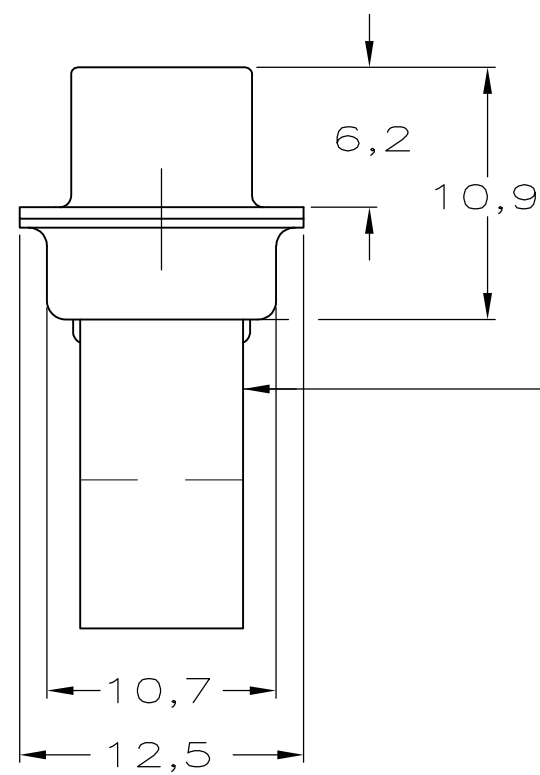
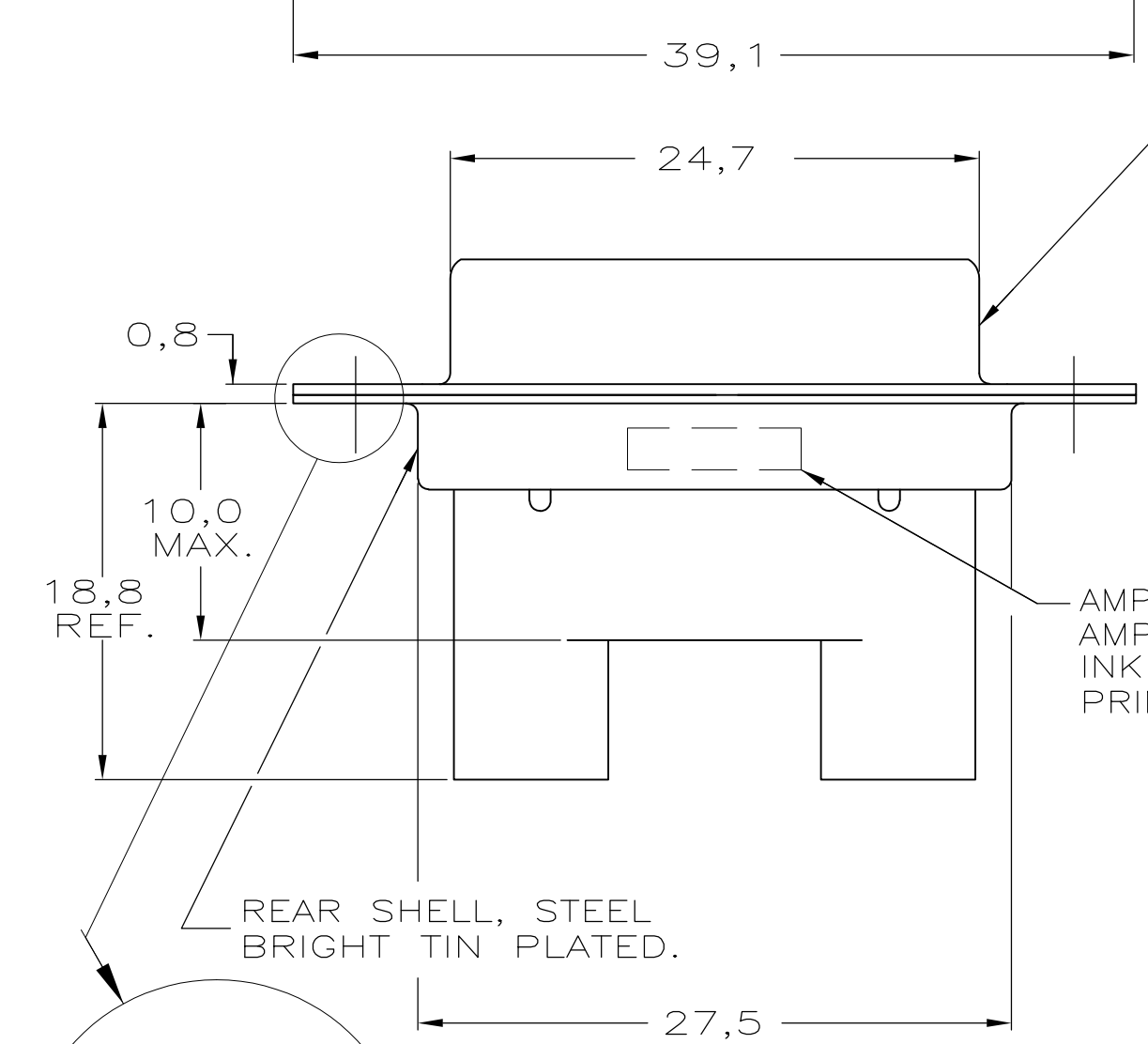


THIS DRAWING IS UNPUBLISHED. RELEASED FOR PUBLICATION
 © COPYRIGHT - By - ALL RIGHTS RESERVED.

LOC	DIST	REVISIONS					
GP	00	P	LTR	DESCRIPTION	DATE	DWN	APVD
		D		REVISED PER ECO-14-008376	11DEC2014	CJV	DLG



NOTES: 1 THIS PLUG ACCEPT SIZE 20 SIGNAL SOCKET-CONTACTS AND SIZE 8 POWER/COAX SOCKET-CONTACTS.
 2 FOLLOWING INSERTION/REMOVAL TOOLS ARE RECOMMENDED FOR USE WITH THESE CONNECTORS,
 SIGNAL CONTACTS:
 32-28AWG/28-24AWG CONT's | 24-20AWG CONTACTS
 91067-3 INSERTION/REMOVAL | 91067-2 INSERTION/REMOVAL
 726363-1 INSERTION ONLY | 726363-1 INSERTION ONLY
 726364-1 REMOVAL ONLY
 POWER/COAX CONTACTS : 58095-1 REMOVAL ONLY



215927-1
 PART NUMBER

THIS DRAWING IS A CONTROLLED DOCUMENT.		DWN R. VISSER 17NOV1987	STE TE Connectivity	
DIMENSIONS: mm		CHK C. v. TILBURG 17NOV1987		
TOLERANCES UNLESS OTHERWISE SPECIFIED:		APVD L. V. SOEST 23NOV1987	NAME HDP-20 REC. CONNECTOR, 7C2, MIXED (SIZE 2) (HIGH PROFILE)	
0 PLC ± -	1 PLC ± -	PRODUCT SPEC -	SIZE A3	CAGE CODE 00779
2 PLC ± -	3 PLC ± -	APPLICATION SPEC -	DRAWING NO C-215927	RESTRICTED TO -
4 PLC ± -	ANGLES ± -	WEIGHT -	SCALE NTS SHEET 1 OF 1 REV D	
MATERIAL -	FINISH -	CUSTOMER DRAWING		

单击下面可查看定价，库存，交付和生命周期等信息

[>>TE Connectivity\(泰科\)](#)