

THIS DRAWING IS UNPUBLISHED.

RELEASED FOR PUBLICATION

,19

© COPYRIGHT 19

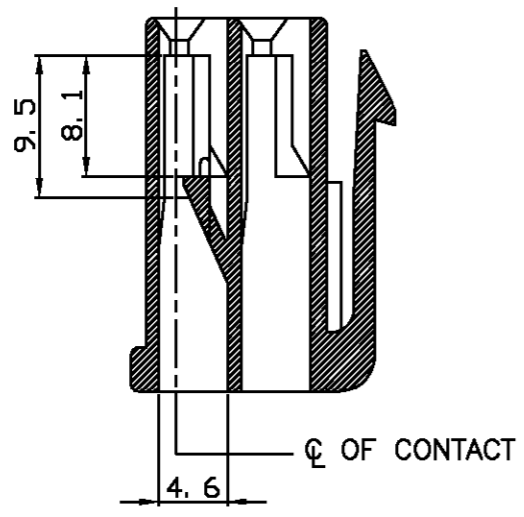
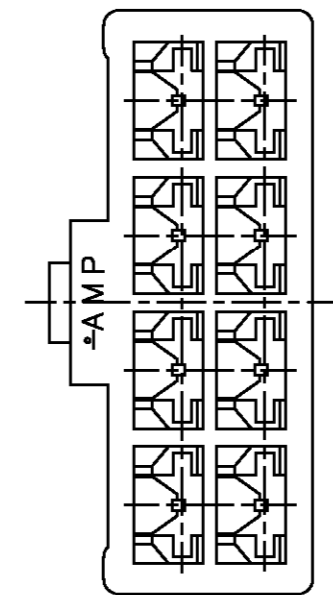
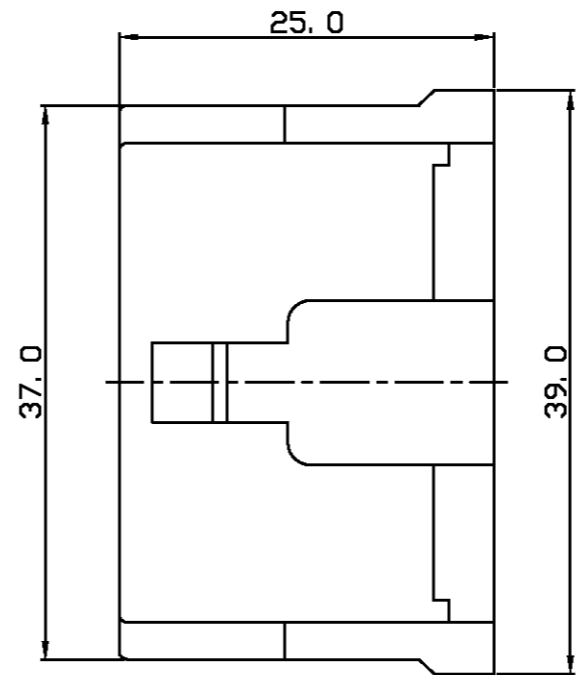
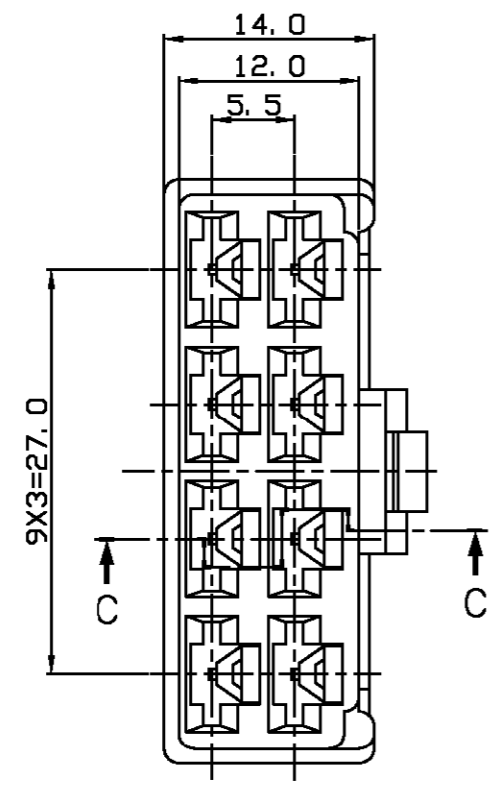
BY AMP INCORPORATED. ALL RIGHTS RESERVED.

LDC DS

DIST

REVISIONS

P	LTR	DESCRIPTION	DATE	DWN	APVD
	O	RELEASED(RD96-316)	'96 2/OCT	YJ	CS
	A	REVISED(FC00-0013-01)	15/FEB/'01	MS	CS



SECT C-C

NOTE

1. APPLICABLE REC TML: 170384-2, 170032-5, 170258-8

①	PART NO	MATERIAL	COLOR
	85136-2	PA 66	BLUE
	85136-1	PA 66	NATURAL

THIS DRAWING IS A CONTROLLED DOCUMENT FOR AMP INCORPORATED. IT IS SUBJECT TO CHANGE AND THE CONTROLLING ENGINEERING ORGANIZATION SHOULD BE CONTACTED FOR THE LATEST REVISION.		DVN	AMP AMP KOREA. kyungsan, korea		
DIMENSIONS: MM		CHK			
TOLERANCES UNLESS OTHERWISE SPECIFIED: 0 <XX<10 ± 0.2 10<XX<30 ± 0.25 30<XX ± 0.3 ANGLES ± 3°		APVD	NAME 250 8P PLUG HSG		
3rd ANGLE PROJECTION		PRODUCT SPEC	SIZE	CAGE CODE	DRAWING NO
MATERIAL SEE TABLE		APPLICATION SPEC	A3	00779	①- 85136
FINISH SEE TABLE		WEIGHT	SCALE 1/1 SHEET 1 OF 1 REV A		

单击下面可查看定价，库存，交付和生命周期等信息

[>>TE Connectivity\(泰科\)](#)