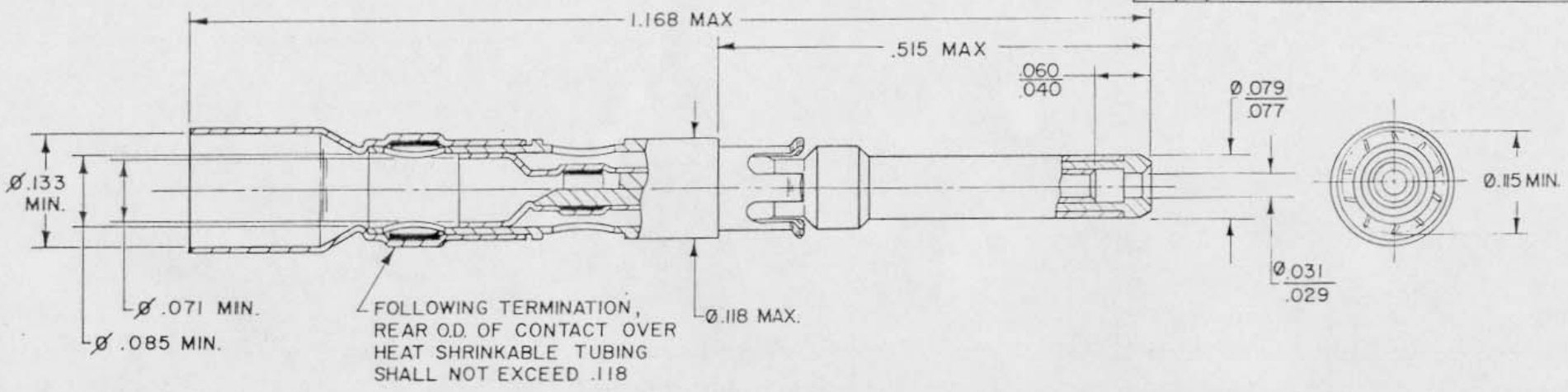


		INITIAL RELEASE	DCO# 01592	6-5-80 357
A		REVISED PER E.O.#D-0916		11/11/80 N/m
B		REVISED PER E.C.N T- E936		1/22/86 M. H-892



NOTES:

1. THIS CONTACT IS DESIGNED FOR USE IN MIL-C-28748 SIZE 16 CAVITIES.
2. THIS CONTACT IS DESIGNED TO TERMINATE TO THE CABLES IN TABLE. OTHER APPLICATIONS SHOULD BE SUBMITTED TO RAYCHEM FOR EVALUATION.
3. FOR TERMINATION PROCEDURE: SEE ES 61164
4. MATING CONTACT (FOR SIMILAR CABLES) D-602-77

CONTACT CHARACTERISTICS:

MATERIALS:
CONTACT MEMBERS: COPPER ALLOY PER QQ-B-626 & QQ-C-530
CONTACT PLATING: GOLD PER MIL-G-45204, NICKEL PER QQ-N-290 OVER COPPER FLASH.
SPRING MEMBER: BERYLLIUM COPPER PER QQ-C-533
SPRING PLATING: NICKEL PER QQ-N-290
DIELECTRIC: FLUOROPOLYMER.
SOLDER: SN63 PER QQ-S-571
CABLE SUPPORT TUBING: POLYVINYLIDENE FLUORIDE

PERFORMANCE:
TEMPERATURE RATING: 125°C. MAXIMUM
CURRENT RATING: 3 AMPS
VOLTAGE RATING: DIELECTRIC WITHSTAND VOLTAGE, 900 VOLTS RMS, MAXIMUM
CONTACT RESISTANCE: 10 MILLIOHMS MAXIMUM (INNER) 8 MILLIOHMS MAXIMUM (OUTER)
INSULATION RESISTANCE: 5.000 MEGOHMS MINIMUM
ENGAGEMENT FORCE, INNER SOCKET: 6.0 OZ. MAXIMUM.
SEPARATION FORCE, INNER SOCKET: 0.5 OZ. MINIMUM.

RG CABLE NO.	RAYCHEM CABLE NO.
RG - 179 B/U	5026A IXIX
RG - 187/U	5030A IXIX
RG - 316 /U	7528A IXIX
	7530A IXIX
	9532A IXIX

CONNECTOR SPECIFICATION CONTROL DRAWING

UNLESS OTHERWISE SPECIFIED DIMENSIONS ARE IN INCHES BRACKETED DIMENSIONS () ARE METRIC AND TOLERANCES ARE: .XXX ± () .XX ± () Δ ±	DRAWN	DWW	2-15-80	Tyco Electronics Corporation 350 Conventional Drive Menlo Park, CA 94025 USA Raychem
	CHECKED			
	APPROVED	365	6-5-80	
	APPROVED	L.V. 25	6-5-80	
	APPROVED			TITLE
				SHIELDED CONTACT, PIN COAXIAL CABLE
	SIZE	CODE IDENT	DWG. NO.	
	C	NO. 06090	D-602-76	
		WEIGHT	SHEET	OF

If this document is printed it becomes uncontrolled. Check for the latest revision.

单击下面可查看定价，库存，交付和生命周期等信息

[>>TE Connectivity\(泰科\)](#)