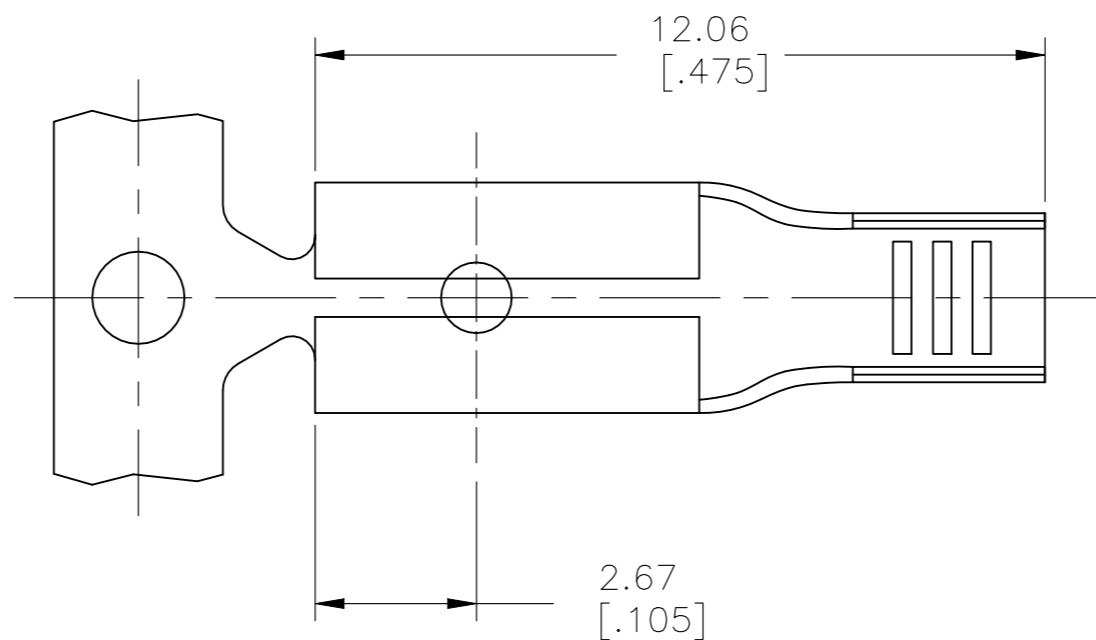
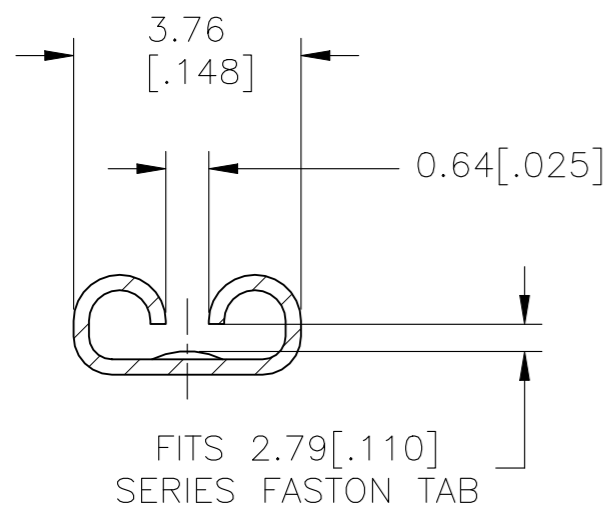


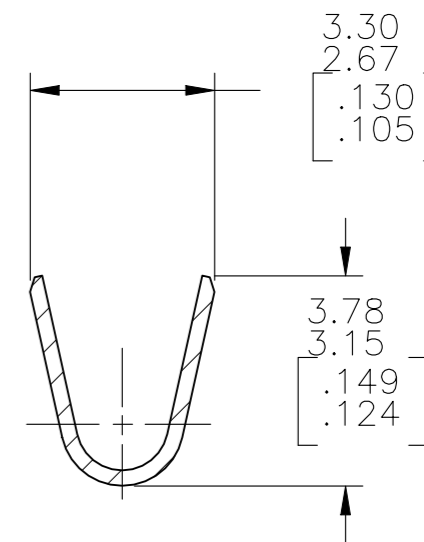
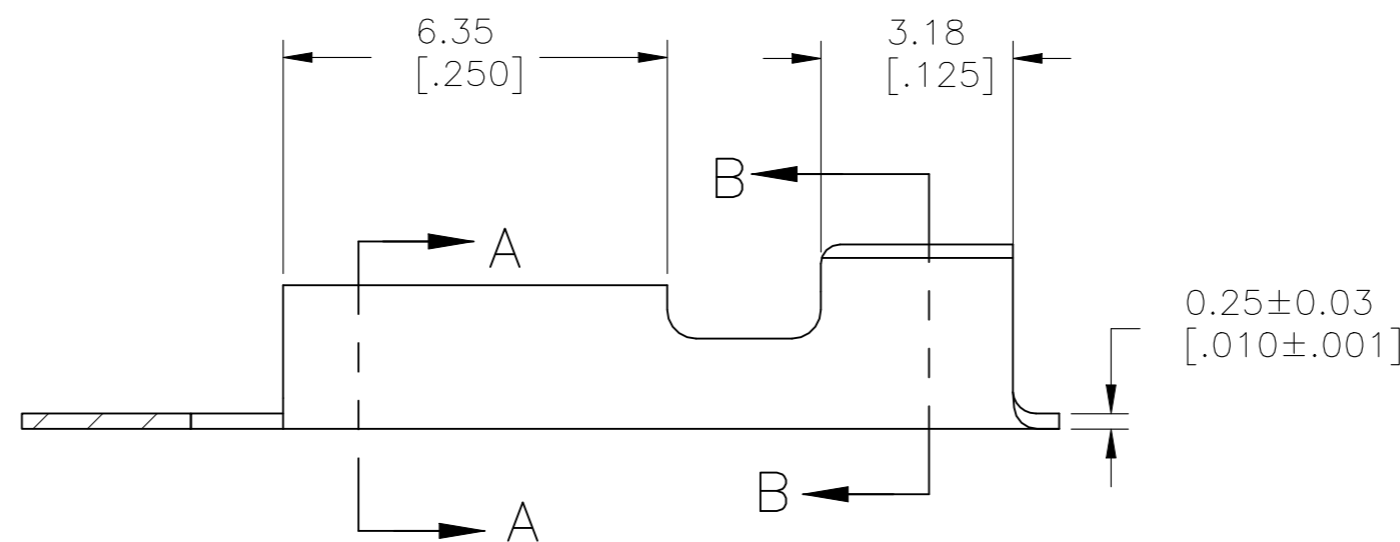
REVISIONS				
P	LTR	DESCRIPTION	DATE	APVD
	B2	REVISED PER ECR-19-018140	24DEC2020	SS EW



- 1 CONTINUOUS STRIP ON REELS
- △ 2 FINISH LEAD-FREE, MATTE TIN OVER NICKEL



SECTION A-A



SECTION B-B

OBSOLETE	#18-#14 AWG	0.51±0.08 [.020±.003]	△ 2	1742786-2
			PRE-TIN	1742786-1
	WIRE SIZE	MATING TAB THK	FINISH	PART NO.

THIS DRAWING IS A CONTROLLED DOCUMENT.		DWN jr_ruth 10MAR09	STE TE Connectivity														
DIMENSIONS: mm [INCHES]		CHK PETE_DESANTIS 10MAR09															
TOLERANCES UNLESS OTHERWISE SPECIFIED:		APVD PETE_DESANTIS 10MAR09	NAME RECEPTACLE, FASTON, 2.79 [.110] SERIES														
<table border="0"> <tr><td>0 PLC</td><td>± -</td></tr> <tr><td>1 PLC</td><td>± -</td></tr> <tr><td>2 PLC</td><td>± 0.25 [.010]</td></tr> <tr><td>3 PLC</td><td>± -</td></tr> <tr><td>4 PLC</td><td>± -</td></tr> <tr><td>ANGLES</td><td>± 5°</td></tr> </table>		0 PLC	± -	1 PLC	± -	2 PLC	± 0.25 [.010]	3 PLC	± -	4 PLC	± -	ANGLES	± 5°	PRODUCT SPEC -	RESTRICTED TO -		
0 PLC	± -																
1 PLC	± -																
2 PLC	± 0.25 [.010]																
3 PLC	± -																
4 PLC	± -																
ANGLES	± 5°																
MATERIAL BRASS		FINISH -	APPLICATION SPEC -	SIZE A3	CAGE CODE 00779												
CUSTOMER DRAWING			DRAWING NO C-1742786	WEIGHT 0.000000	RESTRICTED TO -												
			SCALE 8:1	SHEET 1 OF 1	REV B2												

单击下面可查看定价，库存，交付和生命周期等信息

[>>TE Connectivity\(泰科\)](#)