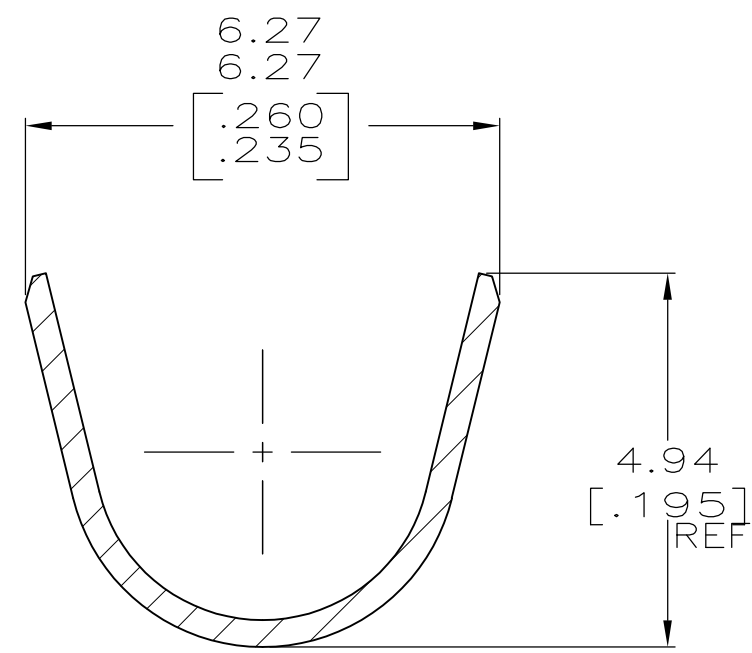
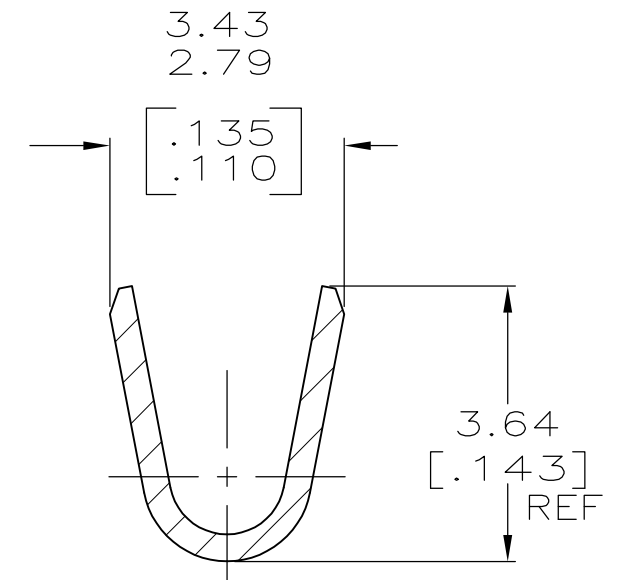
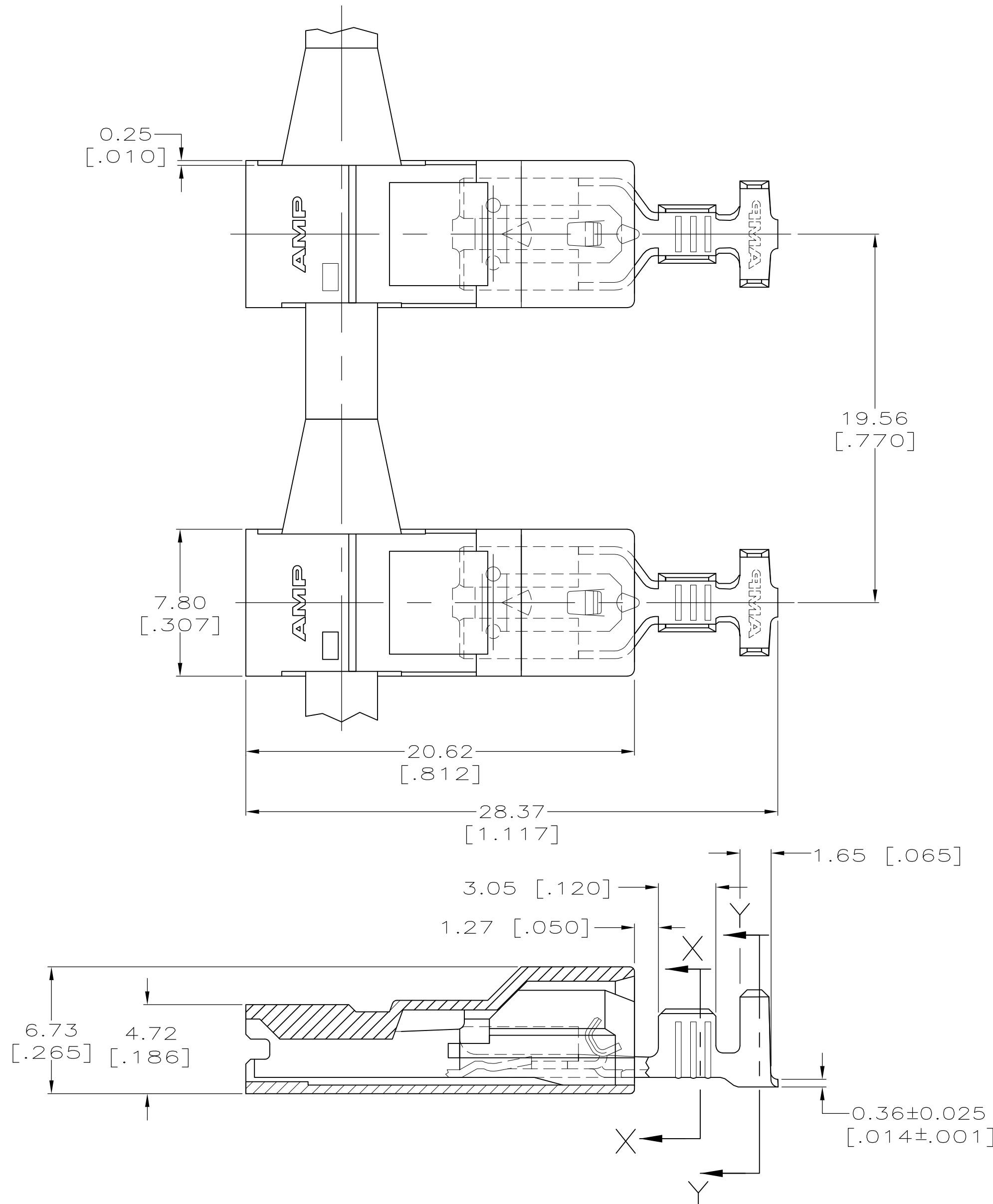


THIS DRAWING IS UNPUBLISHED. RELEASED FOR PUBLICATION  
 © COPYRIGHT - By - ALL RIGHTS RESERVED.

LOC		DIST		REVISIONS			
P	LTR	DESCRIPTION		DATE	DWN	APVD	
AF	50	F		REVISED PER ECR-12-013219	08JAN13	KH	KR

- 1 MATING TAB THK TO BE  $0.51 \pm 0.025$   $[\pm 0.020 \pm 0.001]$ .
- 2 TIN PLATE  $0.001016$   $[\pm 0.00040]$  MIN THK.
- 3 WIRE SIZE IS  $[\#18-\#14]$  AWG.
- 4 INSULATION RANGE IS  $2.79-4.57$   $[\pm 0.110-\pm 0.180]$  DIA.  
 $2.79-3.56$   $[\pm 0.110-\pm 0.140]$  DIA - CRIMP WIDTH  $4.57$   $[\pm 0.180]$ , F TYPE  
 $3.56-4.57$   $[\pm 0.140-\pm 0.180]$  DIA - CRIMP WIDTH  $4.57$   $[\pm 0.180]$ , O TYPE



6/6 V0 NYLON, NATURAL	521212-2
4/6 V2 NYLON (150° C) BLACK	521212-1
MATERIAL	PART NO.

THIS DRAWING IS A CONTROLLED DOCUMENT.		DWN	JR RUTH	01APR99	 TE Connectivity
DIMENSIONS: mm [INCHES]		CHK	MS FEHER	01APR99	
TOLERANCES UNLESS OTHERWISE SPECIFIED:		APVD	J HUMMEL	01APR99	
0 PLC $\pm -$ 1 PLC $\pm -$ 2 PLC $\pm 0.25$ $[\pm 0.010]$ 3 PLC $\pm -$ 4 PLC $\pm -$ ANGLES $\pm -$		PRODUCT SPEC	NAME		
MATERIAL		APPLICATION SPEC	ASSEMBLY, RECEPT, POSI-LOCK, ULTRA-POD, 4.75 $[\pm 0.187]$ SERIES		RESTRICTED TO
TERMINAL - BRASS HOUSING - SEE TABLE		FINISH	WEIGHT	-	SIZE
TERMINAL - TIN HOUSING - SEE TABLE		WEIGHT	-	A2	CAGE CODE
CUSTOMER DRAWING		SCALE	5:1	SHEET	1 of 1
		REV	F		

单击下面可查看定价，库存，交付和生命周期等信息

[>>TE Connectivity\(泰科\)](#)