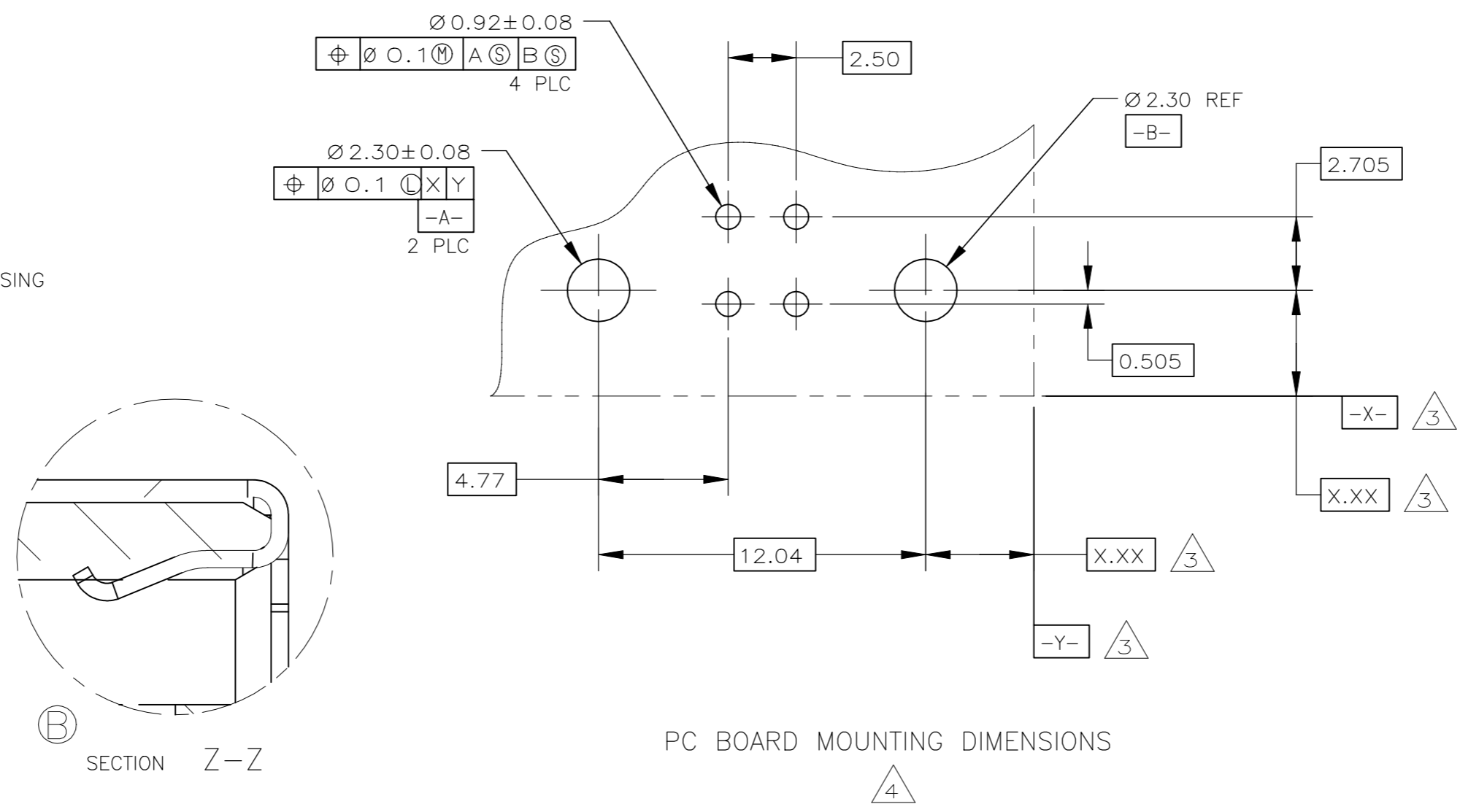
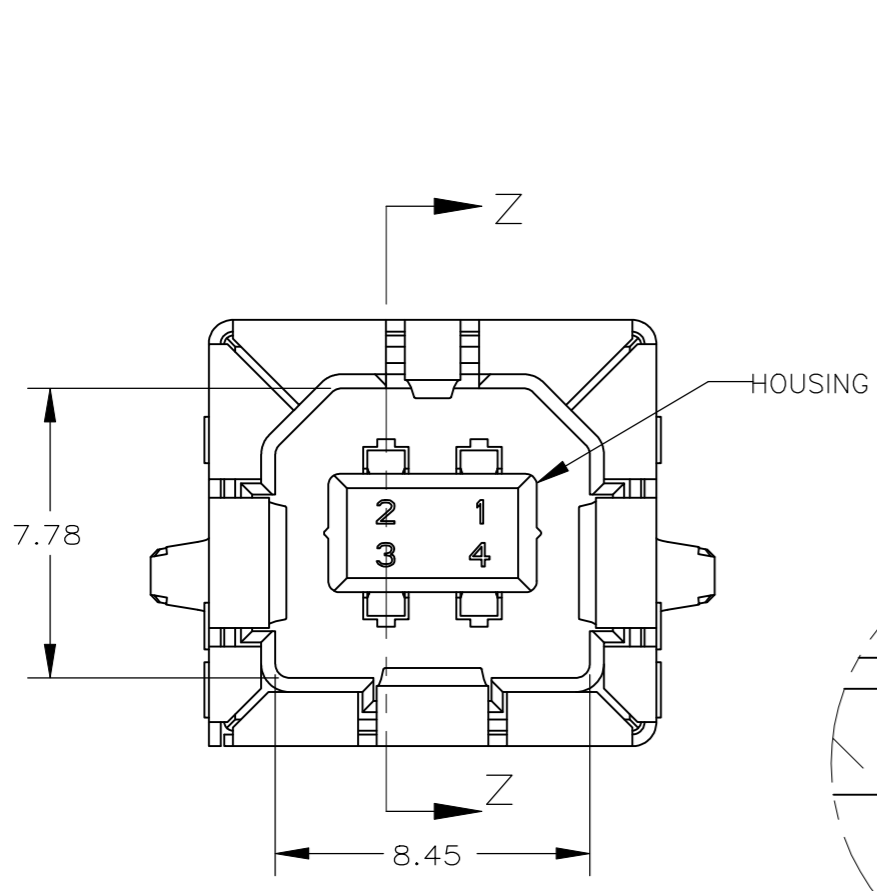
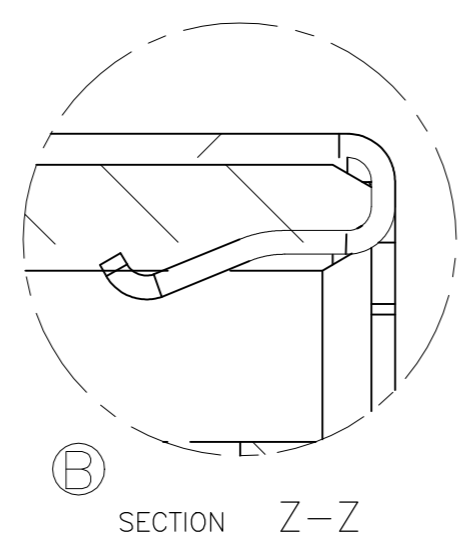


THIS DRAWING IS UNPUBLISHED. RELEASED FOR PUBLICATION
 © COPYRIGHT - By - ALL RIGHTS RESERVED.

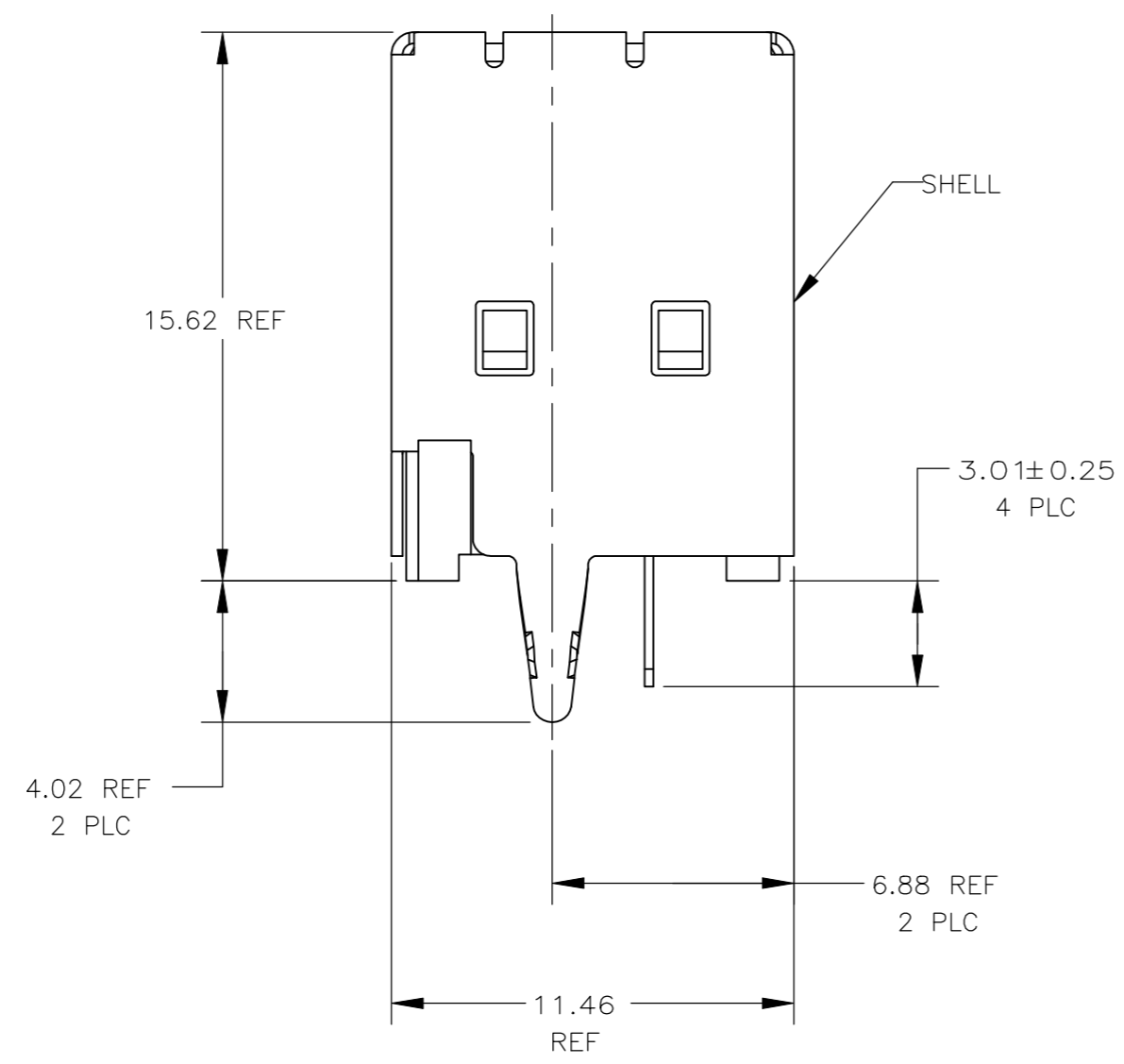
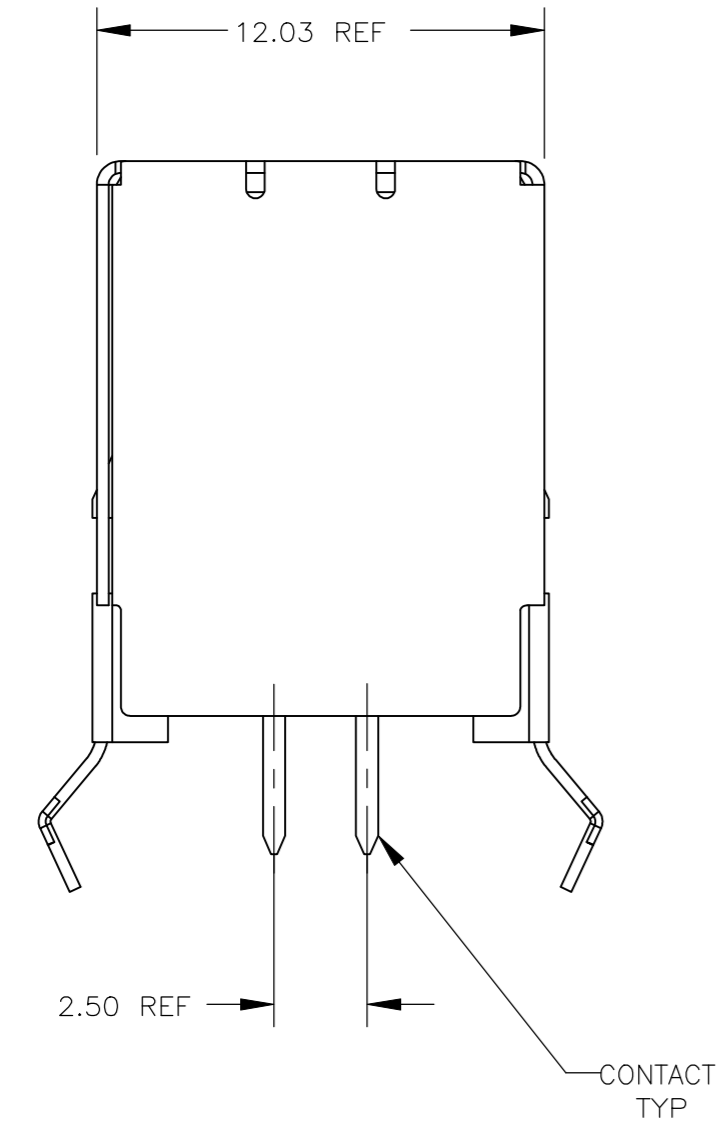
LOC		DIST		REVISIONS			
P	LTR	DESCRIPTION	DATE	DWN	APVD		
		C	REVISED PER ECR-19-008004	22MAY2019	T.Z	S.L	



LEAD FREE



PC BOARD MOUNTING DIMENSIONS



- 1 MATERIAL:
 1 SHELL - STAINLESS STEEL.
 CONTACTS - COPPER ALLOY.
 HOUSING - UL 94V-0 RATED, THERMOPLASTIC, FOR COLOR SEE TABLE.
- 2 PLATING:
 CONTACTS - 0.076um MINIMUM GOLD OVER 0.76um MINIMUM PALLADIUM-NICKEL ON MATING AREA, 3.8um MINIMUM MATTE TIN ON SOLDER TAILS, BOTH OVER 1.27um MINIMUM NICKEL.
 CONTACT ALTERNATE PLATING: 0.76um MINIMUM GOLD ON MATING AREA, 3.80um MINIMUM MATTE TIN ON SOLDER TAILS, BOTH OVER 1.27um MINIMUM NICKEL.
 SHELL - 2~5um MINIMUM BRIGHT TIN.
- 3 DATUM AND BASIC DIMENSIONS ESTABLISHED BY CUSTOMER.
- 4 RECOMMENDED PC BOARD THICKNESS OF 1.57mm.

C	NATURAL	5787834-2
C	BLACK	5787834-1
PART VERSION	HOUSING COLOR	PART NUMBER

THIS DRAWING IS A CONTROLLED DOCUMENT.		DWN	28MAY2004	TE Connectivity
		CHK	28MAY2004	
		APVD	28MAY2004	
		NAME	Takinori Sasaki	
DIMENSIONS: mm		TOLERANCES UNLESS OTHERWISE SPECIFIED:		PRODUCT SPEC
		0 PLC	± -	APPLICATION SPEC
		1 PLC	± 0.1	
		2 PLC	± 0.05	
		3 PLC	± 0.013	
		4 PLC	± -	
		ANGLES	± -	
MATERIAL		FINISH		WEIGHT
- 1		- 2		-
CUSTOMER DRAWING		SCALE	5:1	SHEET
		SIZE	A2	1 of 1
		CAGE CODE	00779	REV
		DRAWING NO	C-5787834	C

单击下面可查看定价，库存，交付和生命周期等信息

[>>TE Connectivity\(泰科\)](#)