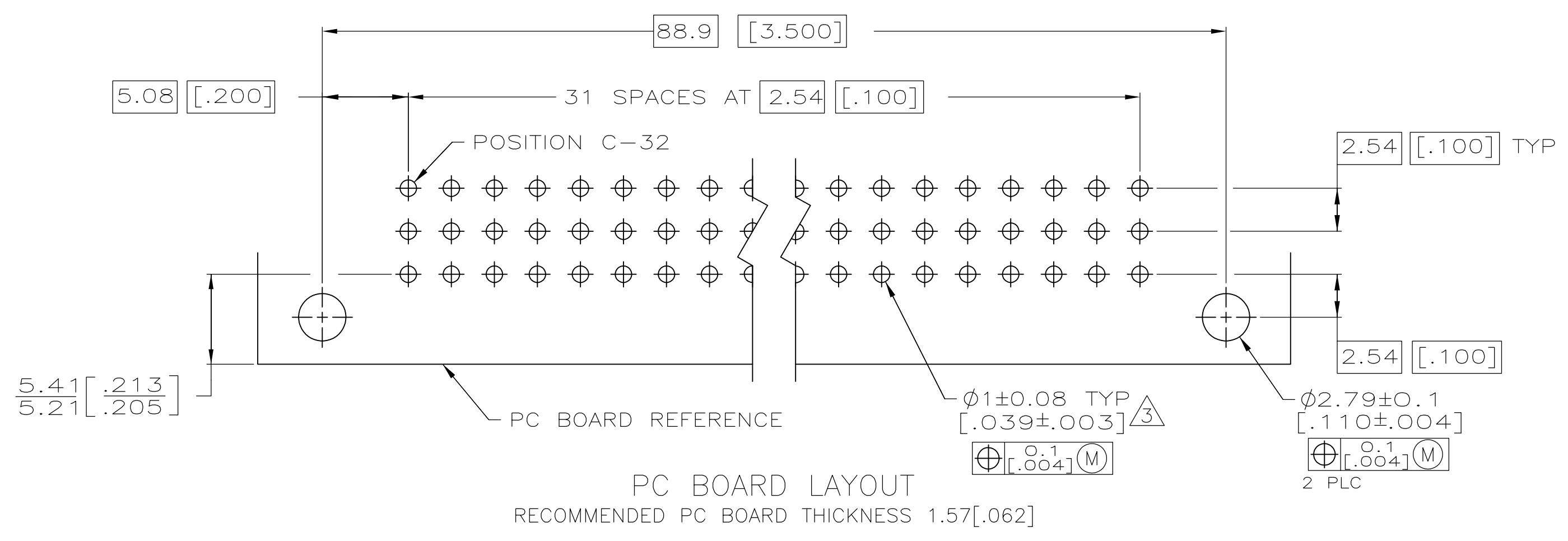
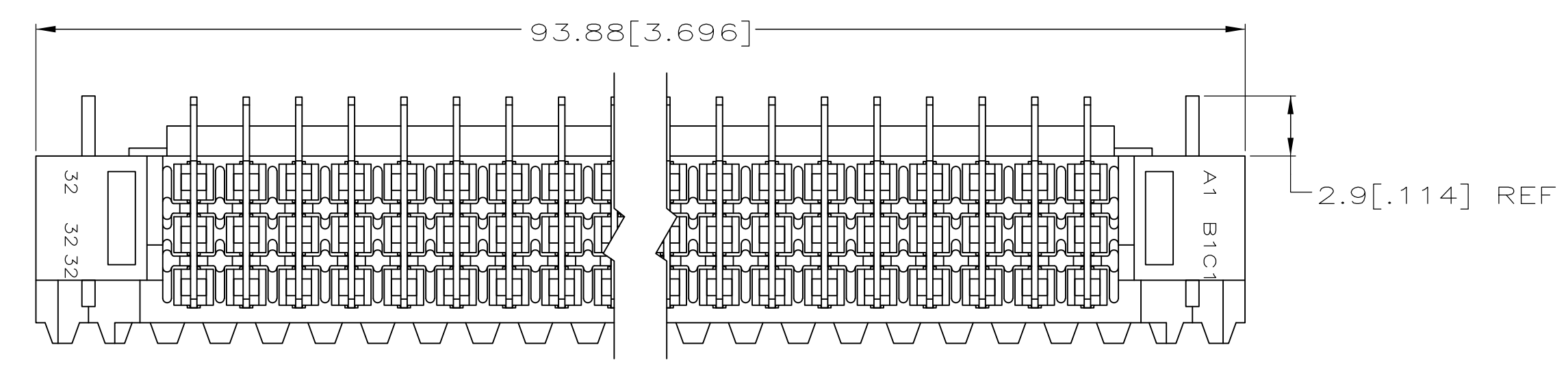
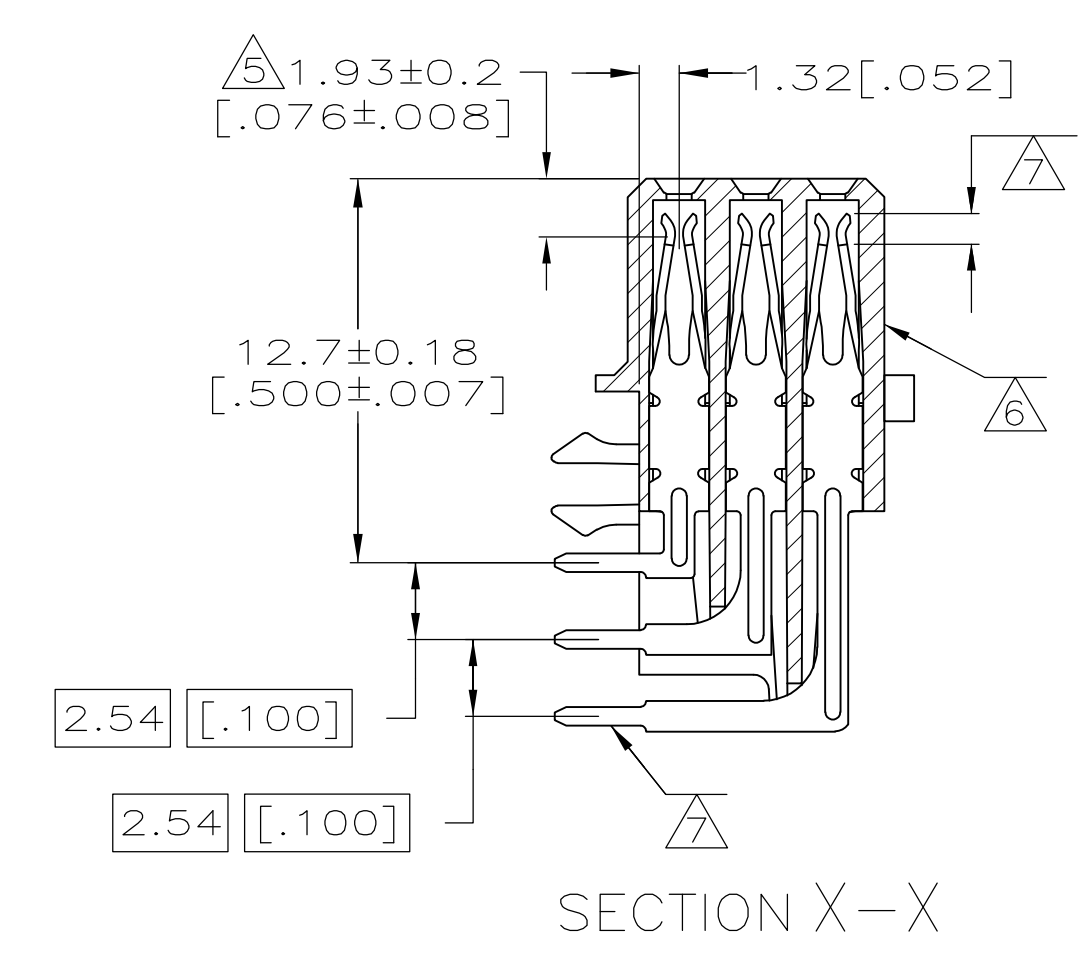
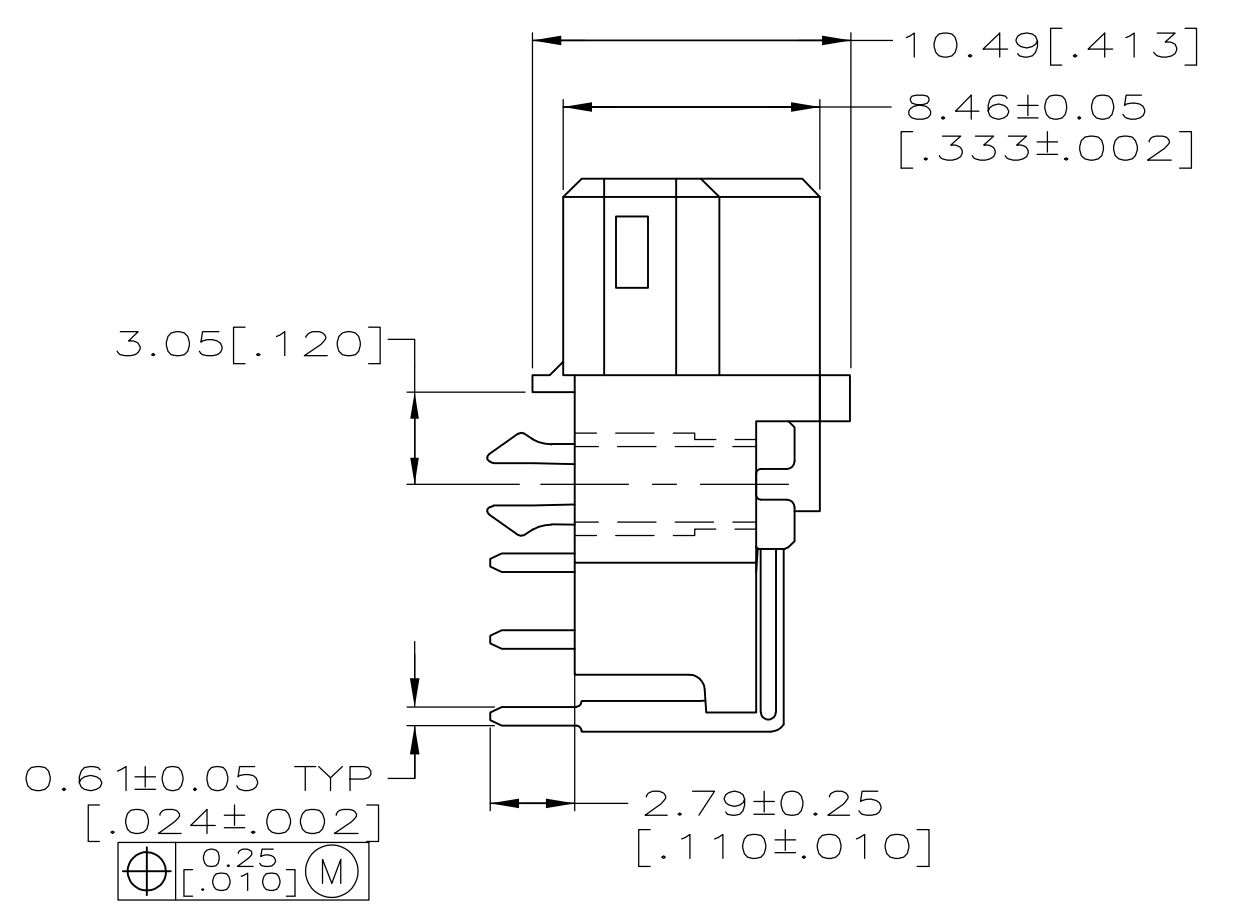
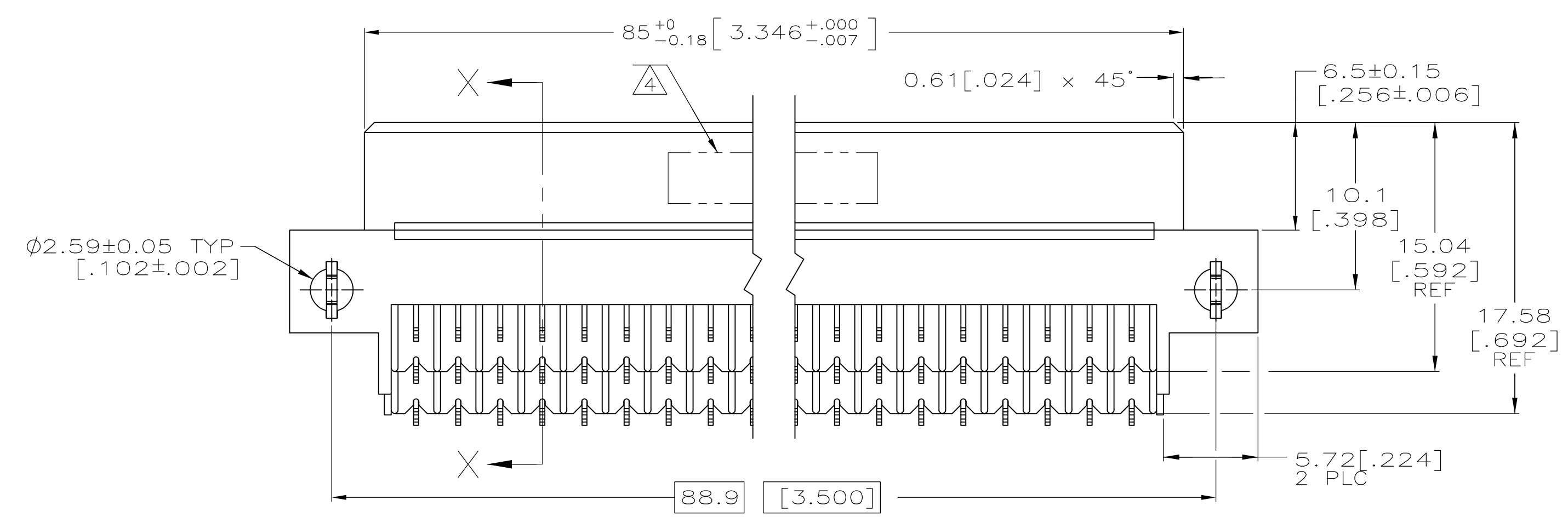
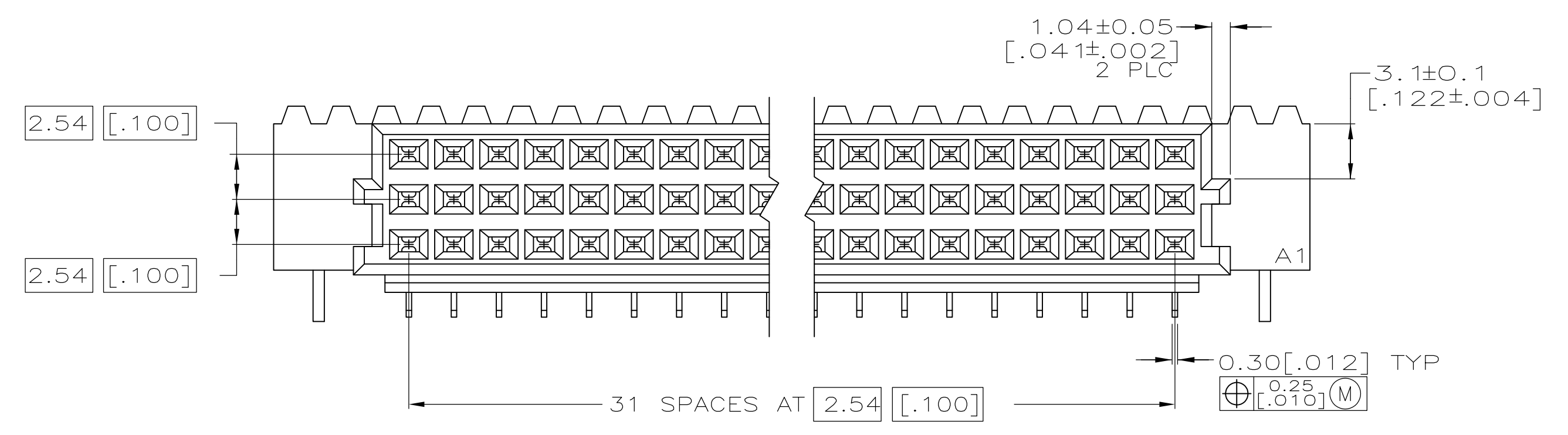


REVISIONS					
P	LTR	DESCRIPTION	DATE	DNW	APVD
B		REVISED PER ECO-16-012290	18AUG2016	SY	SY

- ① HOUSING MATERIAL: GLASS-FILLED POLYMER.
- ② CONTACT MATERIAL: COPPER ALLOY.
- ③ RECOMMENDED HOLE SIZE FOR MANUAL APPLICATION OF CONNECTOR ONTO PC BOARD.
- ④ PART NUMBER, DATE CODE IDENTIFICATION, CSA LOGO THIS APPROXIMATE AREA.
- ⑤ CONTACT POINT.
- ⑥ MARKING ON THIS SIDE.
- ⑦ CONTACT FINISH: CONFIRMS TO PERFORMANCE REQUIREMENT OF DIN 41612 CLASS 2 IN CONTACT AREA, 0.00127[.000050] NICKEL UNDERPLATE ALL OVER, TIN PLATE ON POSTS.



SUPERSEDED BY	FINISH	POSITIONS LOADED	ROWS LOADED	NO. OF LOADED POSITION	ASSY PART NUMBER
SUPERSEDED BY 5650895-5	①	1 THRU 32	X X X	96	7-5650895-5
SUPERSEDED BY 5650895-4	②	1 THRU 32	X X X	96	7-5650895-4
	③	1 THRU 32	X X X	96	5650895-5
	④	1 THRU 32	X X X	96	5650895-4

THIS DRAWING IS A CONTROLLED DOCUMENT.		DIN J. POLIGNONE 03JUN05		TE Connectivity	
DIMENSIONS: mm [INCHES]		TOLERANCES UNLESS OTHERWISE SPECIFIED:			
0 PLC ± - 1 PLC ± - 2 PLC ± 0.13[.005] 3 PLC ± - 4 PLC ± - ANGLES ± -		FINISH SEE TABLE		NAME ASSEMBLY, RECEPTACLE, EUROCARD, TYPE R 96 POS. 2.79 SOLDER POSTS WITH BOARD LOCKS	
MATERIAL		WEIGHT 0.000000		SIZE A1 CAGE CODE 00779 DRAWING NO. 5650895	
		CUSTOMER DRAWING		SCALE 4:1 SHEET 1 OF 1 REV B	

单击下面可查看定价，库存，交付和生命周期等信息

[>>TE Connectivity\(泰科\)](#)