

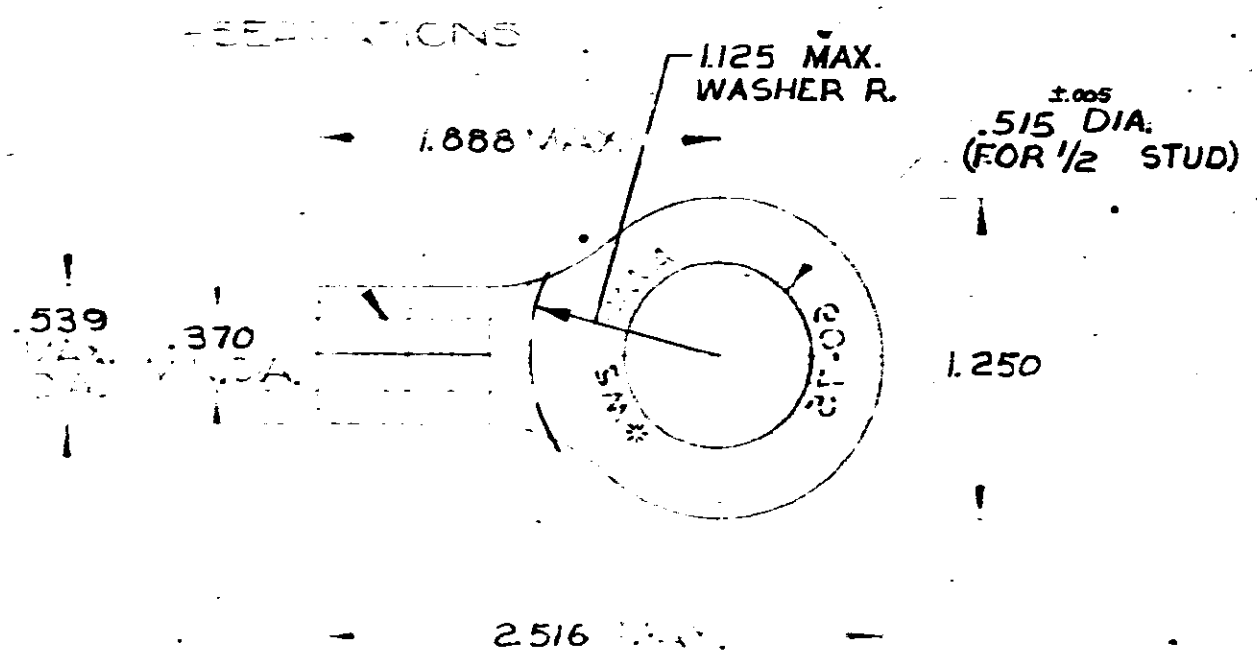
DRAWING MADE IN AMERICAN PATENT OFFICE

LOC **G** PRINT DIST **14 A**

© 1955 BY AMP INCORPORATED. ALL RIGHTS RESERVED. AMP PRODUCTS COVERED BY PATENTS AND/OR PATENTS PENDING.

REVISIONS			
REV.	DESCRIPTION	DATE	APPROVED
A	REDRAWN & REV. PG-5567	11-18-70	<i>Jm</i>

323291



RECORD PRINT
RETURN TO FILE

RECEIVED
DATE: 11-18-70
BY: *Jm*

MATERIALS
COPPED .070
PG-5567

WIRE SIZE: #2

Harry Barb 11-5-70
Jm 11-18-70
Swabell 11-19-70
Hyoung 11-23-70

AMP		AMP INCORPORATED HARRISBURG, PENNSYLVANIA	
NAME: WIRE TERMINAL SOLISTRAND - RING TONGUE WIRE SIZE: #2			
SIZE: A	CODE IDENT NO.: 00779	NUMBER: 323291	
SHEETS: 1/1		SHEET 1 OF 1	

单击下面可查看定价，库存，交付和生命周期等信息

[>>TE Connectivity\(泰科\)](#)