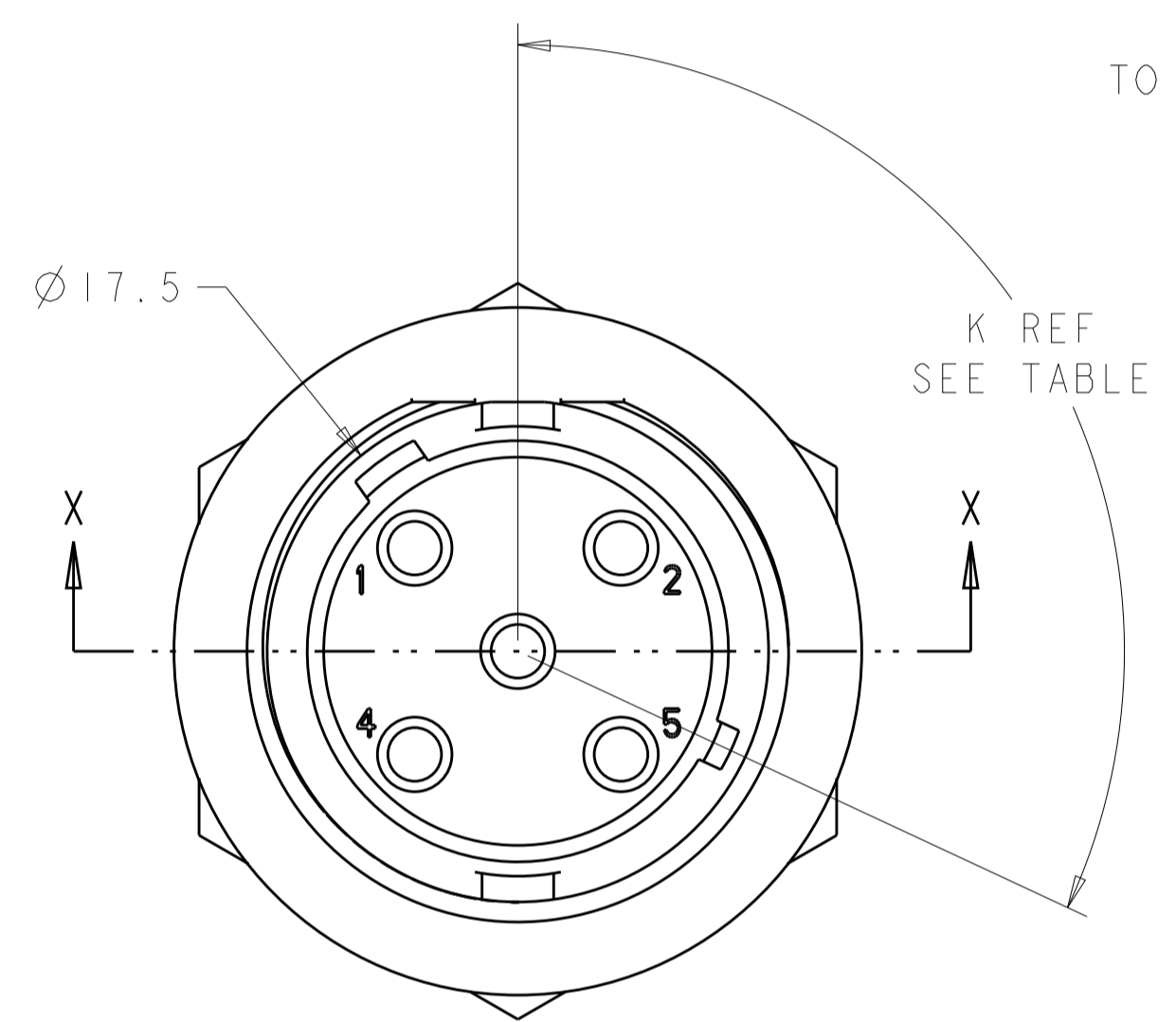
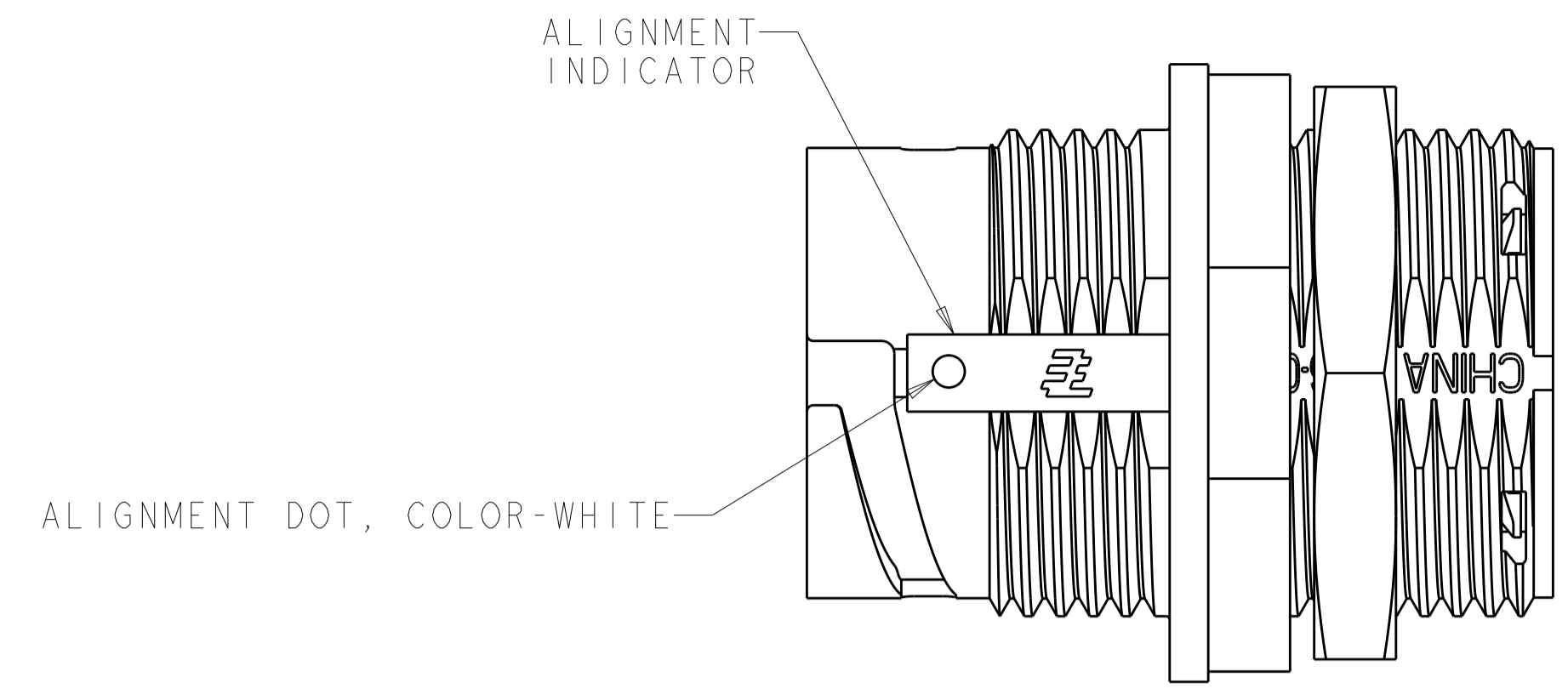
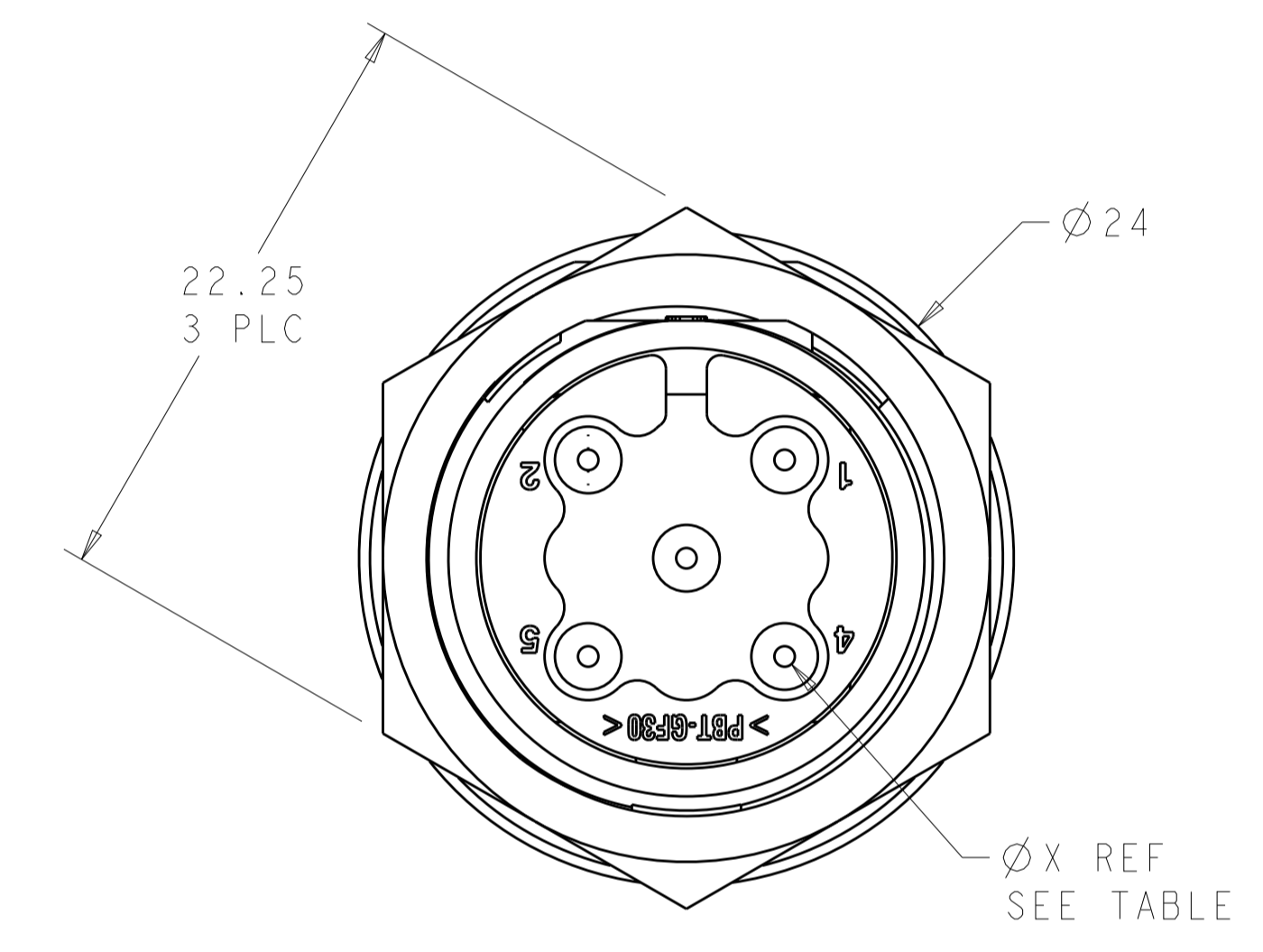
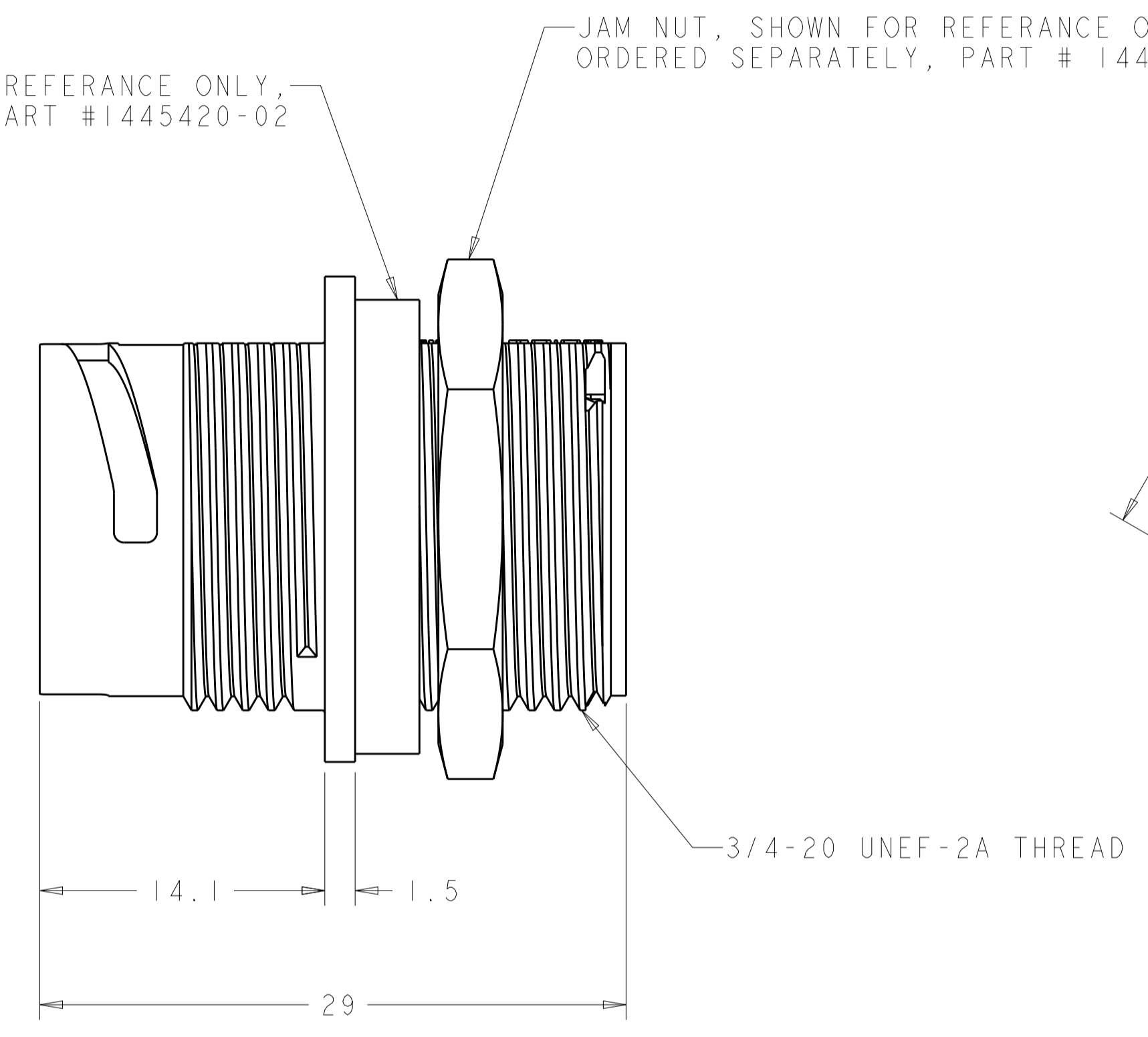


REVISIONS				
P.	LTM	DESCRIPTION	DATE	APVD
B2		REVISED PER ECO-15-010004	13JUL2015	NK MZ
C		REVISED PER ECO-16-018352	24MAR2017	RS MZ

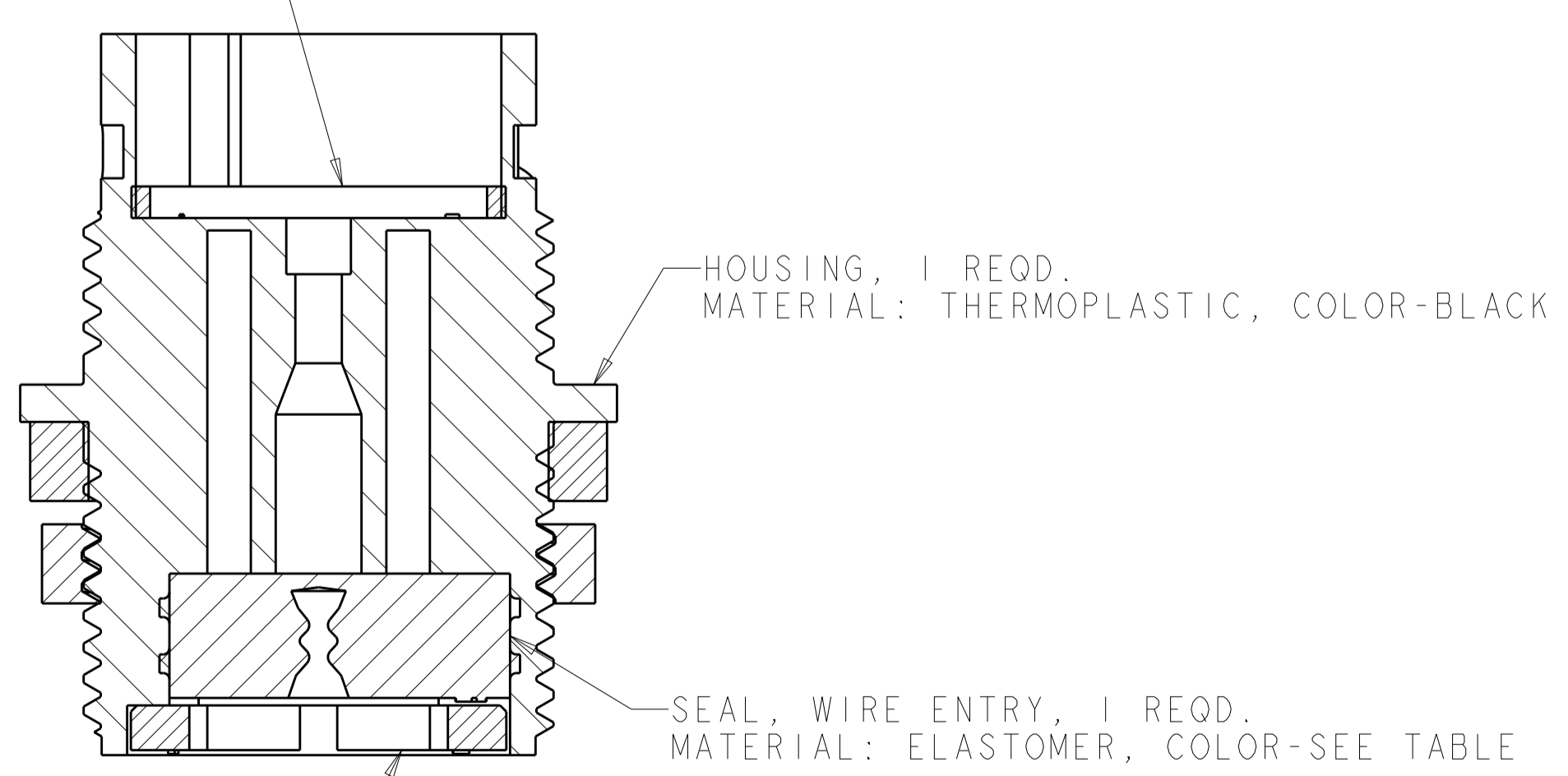


SEAL, PANEL; SHOWN FOR REFERENCE ONLY, TO BE ORDERED SEPARATELY, PART # 1445420-02

JAM NUT, SHOWN FOR REFERENCE ONLY, TO BE ORDERED SEPARATELY, PART # 1445904-1

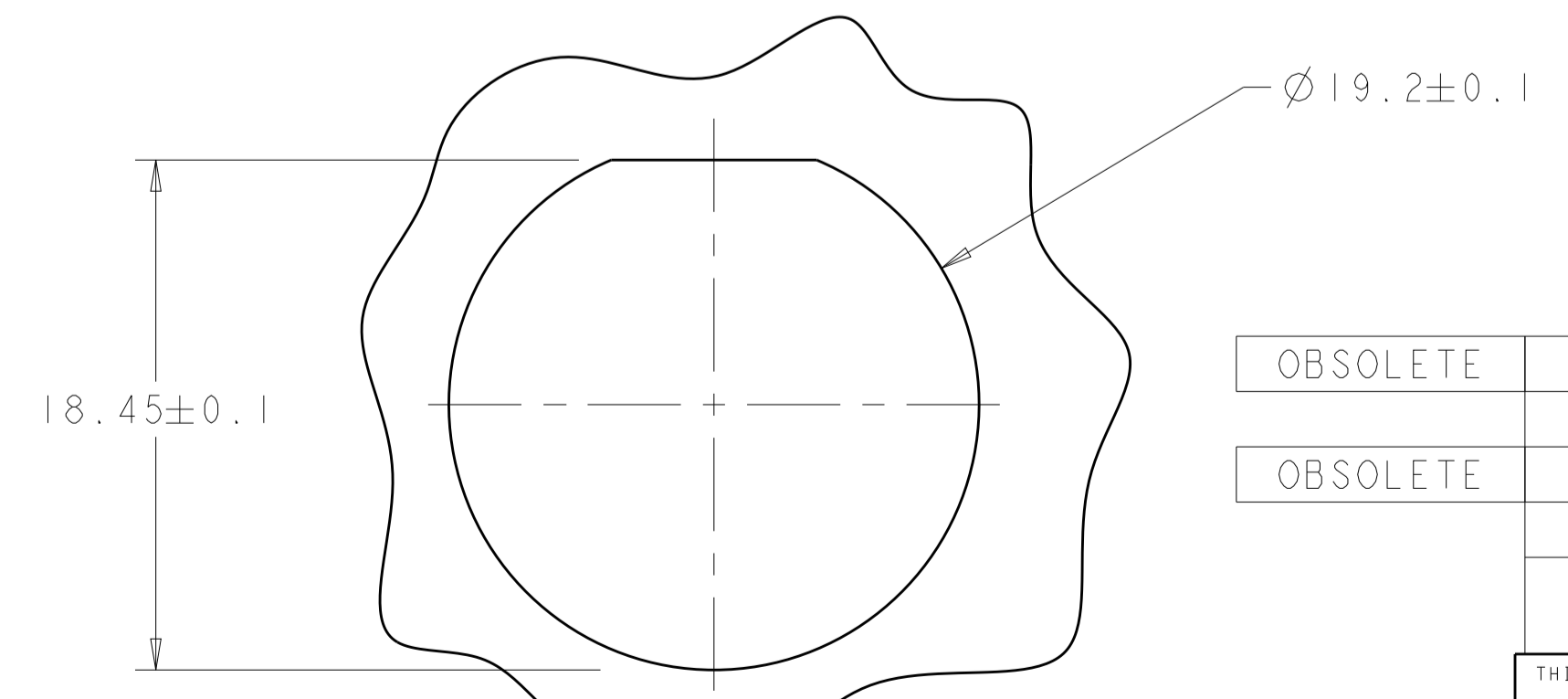


SEAL, PERIPHERAL, 1 REQD. MATERIAL: ELASTOMER, COLOR-GRAY



RETAINER, SEAL, 1 REQD. MATERIAL: THERMOPLASTIC, COLOR-BLACK

1. CONNECTOR CAN BE FRONT OR REAR PANEL MOUNTED.  
 △ MAX PANEL THICKNESS - 3.18



OBSELETE	YELLOW	Ø 0.75	135°	1445824-04
	NATURAL	Ø 1.5	115°	1445824-03
OBSELETE	NATURAL	Ø 1.5	135°	1445824-02
	YELLOW	Ø 0.75	115°	1445824-01
SEAL, WIRE ENTRY COLOR		Ø X REF	K REF	PART NUMBER

THIS DRAWING IS A CONTROLLED DOCUMENT. DWN: SHANE WIESE 15OCT2001  
 CHK: G DOUTY 15OCT2001

APVD: H. WAKEEM 13JUN2003

NAME: ASSEMBLY, RECEPTACLE, SIZE 11, 5 POSITION, PANEL MOUNT, SEALED, MINI CPC

SIZE: A1 00779 C=1445824

SCALE: 4:1 SHEET 1 OF 1 REV C

TE Connectivity

单击下面可查看定价，库存，交付和生命周期等信息

[>>TE Connectivity\(泰科\)](#)