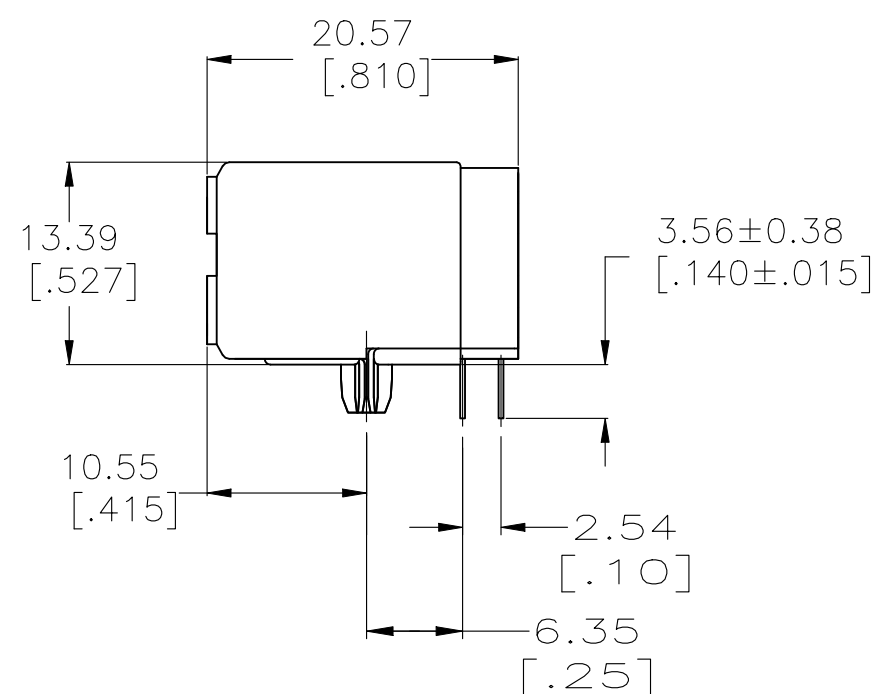
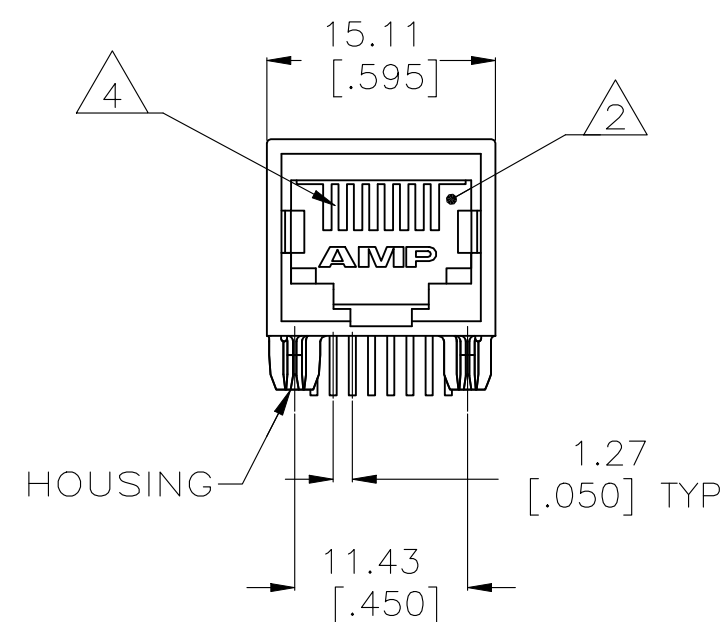


| REVISIONS | | | | | |
|-----------|-----|---------------|-----------|-----|------|
| P | LTR | DESCRIPTION | DATE | DWN | APVD |
| A1 | | ECR-19-014657 | 13DEC2020 | RR | SZ |

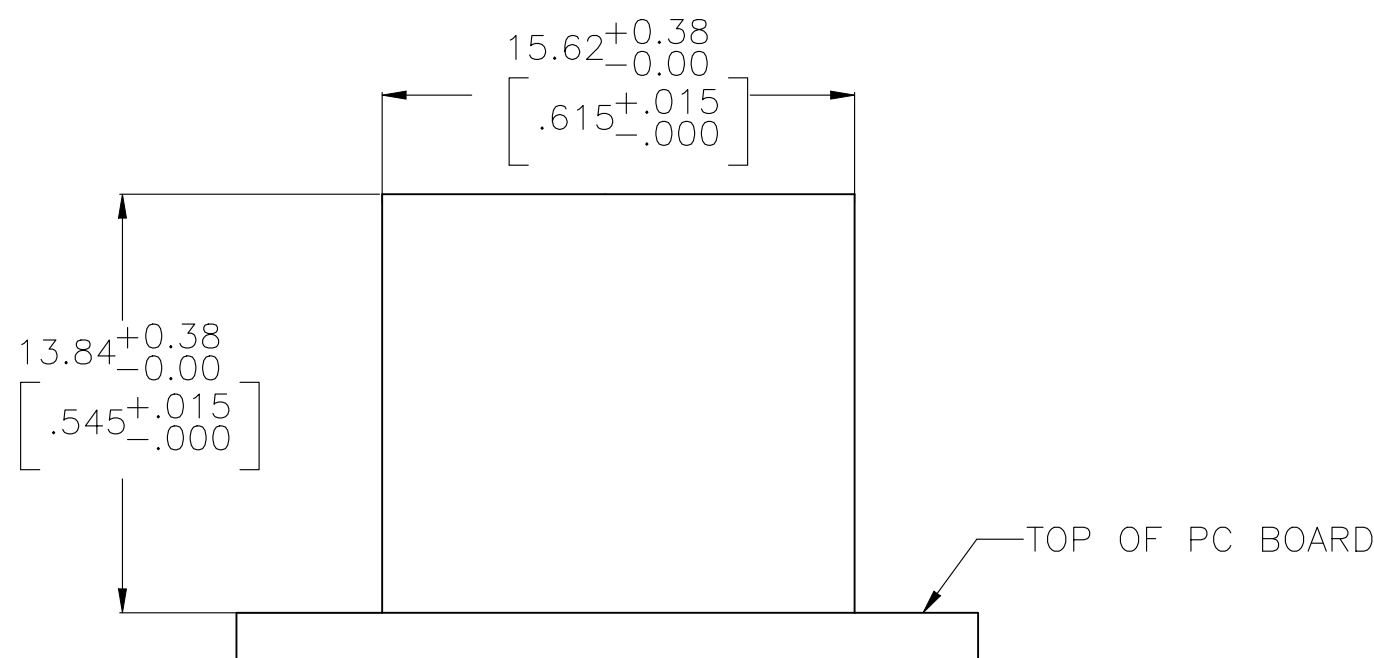
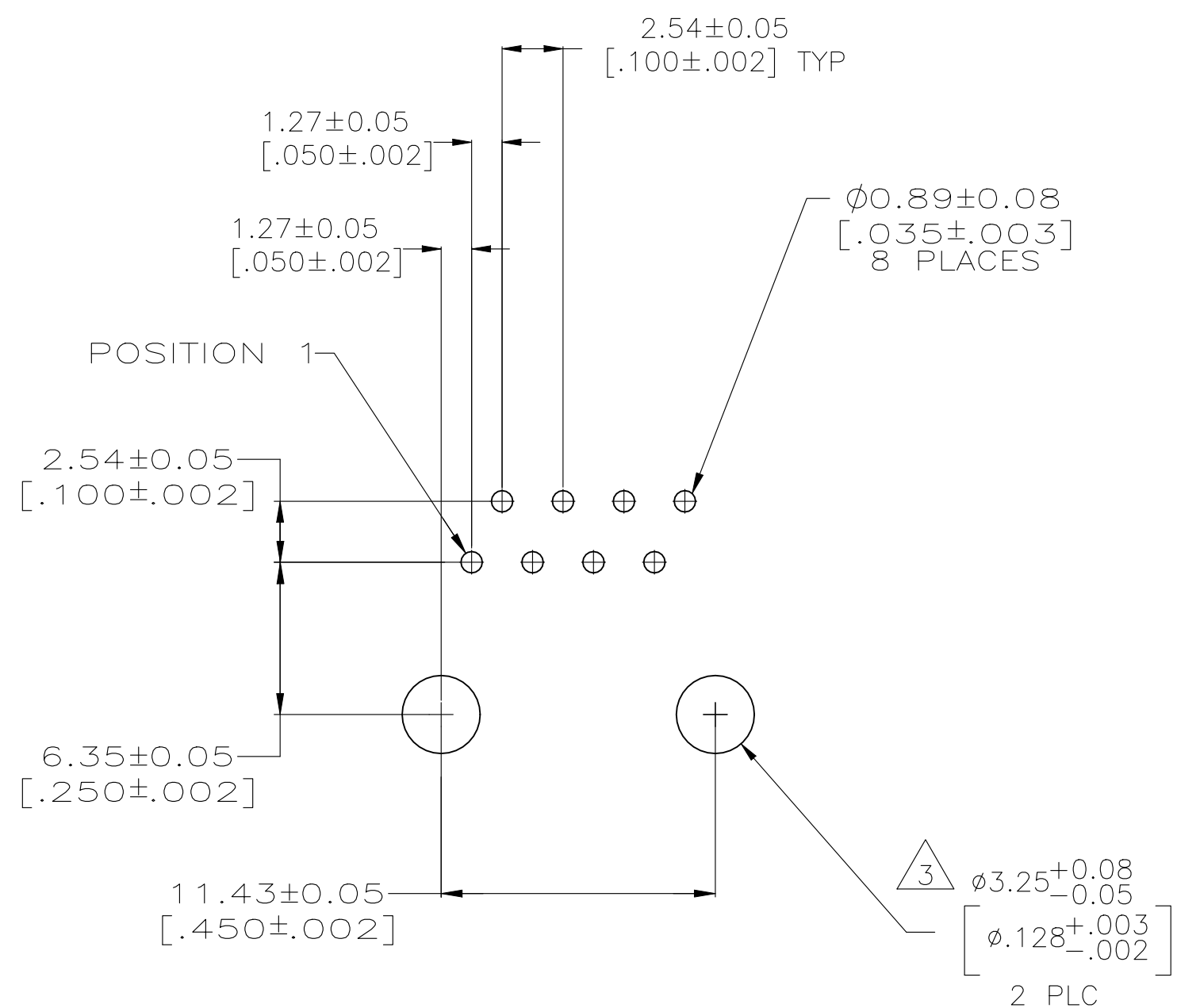


1 MATERIAL: HOUSING - NYLON, COLOR: BLACK, UL 94V-0. OVERMOLDED TERMINAL ARRAY - PBT, COLOR: BROWN. TERMINALS - 0.33 [.013] THICK PHOS BRONZE PLATED WITH 1.27 μm [.000050] MINIMUM THICK HARD GOLD IN LOCALIZED AREA AND 3.81 μm [.000150] MINIMUM THICK MATTE TIN IN SOLDER AREA OVER 1.27 μm [.000050] MINIMUM THICK NICKEL UNDERPLATE.

2 JACK CAVITY CONFORMS TO FCC RULES AND REGULATIONS, PART 68 SUBPART F.

3 USE #30 DRILL BIT OR 3.25mm DRILL BIT WHEN PRODUCING THESE PCB HOLES.

4 CONTACT AREA LUBRICATED WITH BELLCORE APPROVED LUBRICANT. TECHNICAL REFERENCE GR-1217-CORE, ISSUE 1, NOVEMBER 1995



RECOMMENDED PANEL CUTOUT
SCALE 4:1

RECOMMENDED PC BOARD LAYOUT
COMPONENT SIDE
SCALE 4:1

1932326-1
PART NUMBER

| | | | | |
|--|--|---------------------------|----------------------------|---|
| THIS DRAWING IS A CONTROLLED DOCUMENT. | | DWN TERRY.YU 03MAR2009 | STE TE Connectivity | |
| DIMENSIONS: mm | | CHK MARTIN.LI 03MAR2009 | | |
| TOLERANCES UNLESS OTHERWISE SPECIFIED: | | APVD STEVEN.YAO 03MAR2009 | NAME | |
| 0 PLC ± - | | PRODUCT SPEC | | MODULAR JACK ASSEMBLY, SINGLE PORT, 8 POSITION, UNSHIELDED, CATEGORY 5e |
| 1 PLC ± - | | 108-1163-2 | | |
| 2 PLC ± 0.25[.01] | | APPLICATION SPEC | | SIZE |
| 3 PLC ± 0.13[.005] | | 114-2048 | | CAGE CODE |
| 4 PLC ± - | | WEIGHT 0.000000 | | DRAWING NO |
| ANGLES ± - | | CUSTOMER DRAWING | | RESTRICTED TO |
| FINISH | | SCALE 2:1 | | SHEET 1 of 1 |
| SEE NOTE 1 | | REV A1 | | |

单击下面可查看定价，库存，交付和生命周期等信息

[>>TE Connectivity\(泰科\)](#)