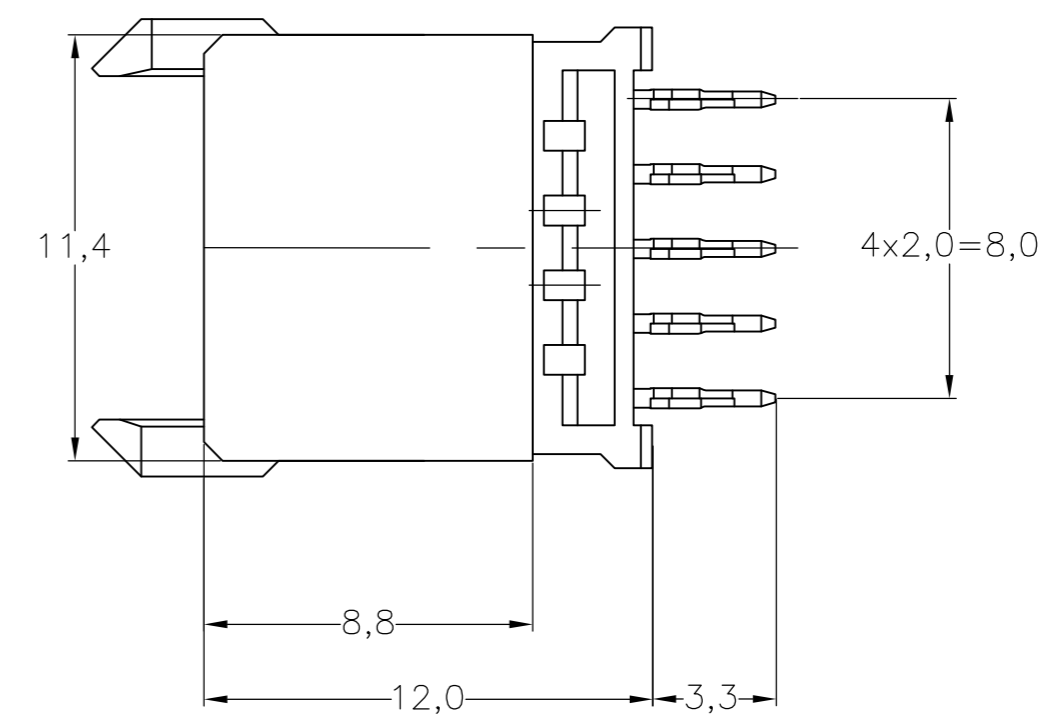
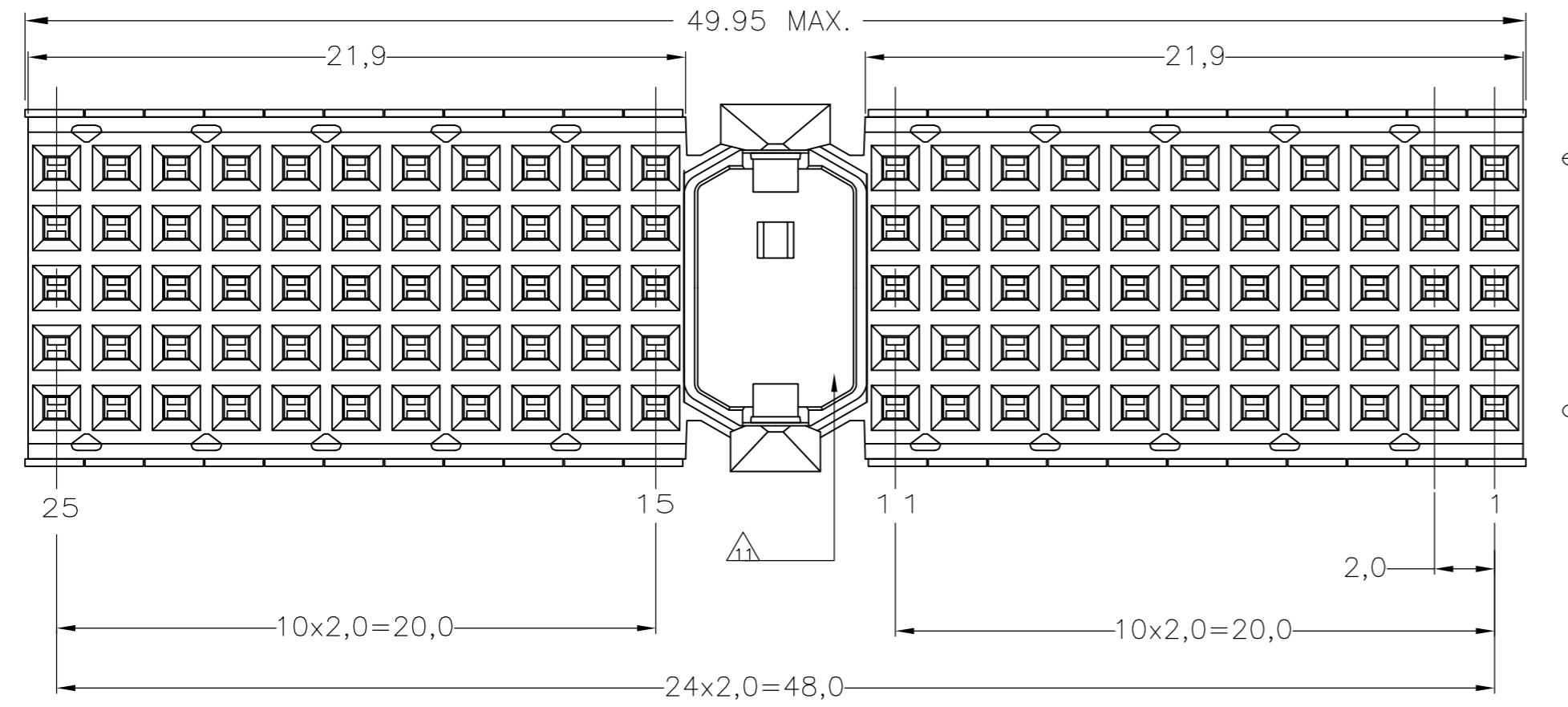
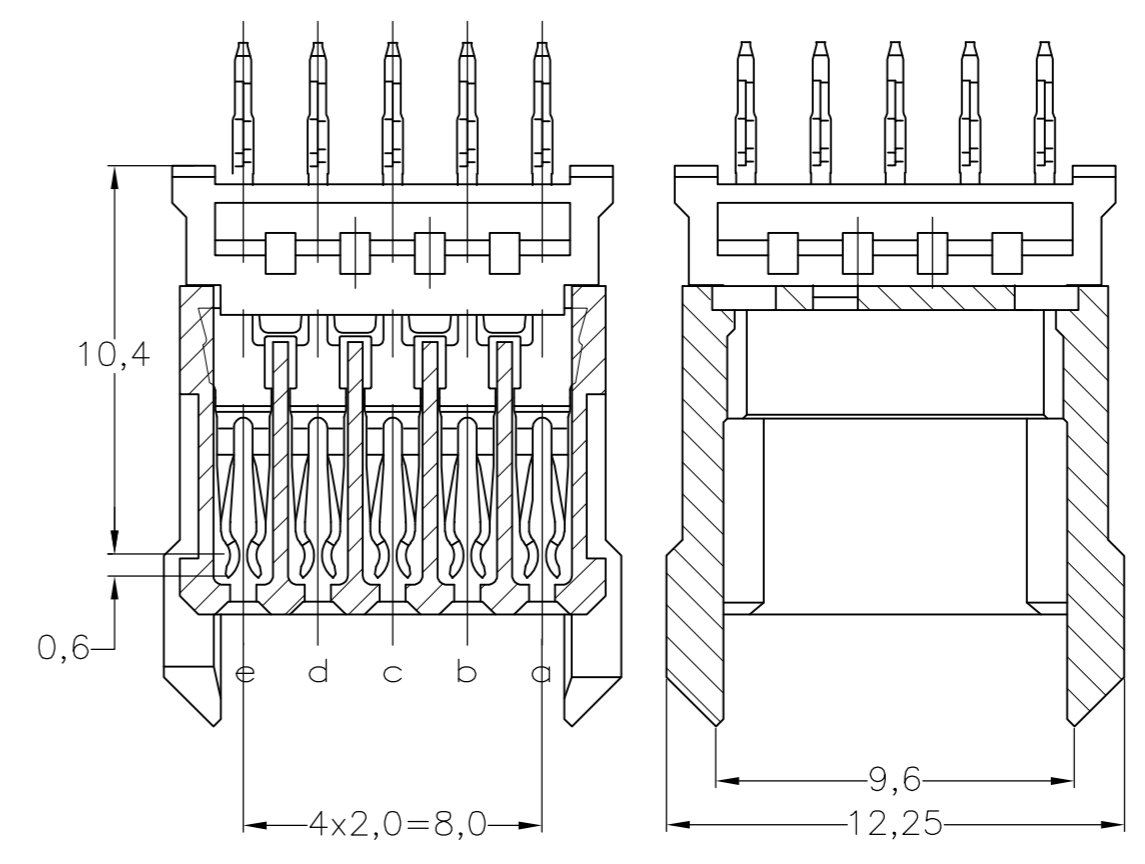
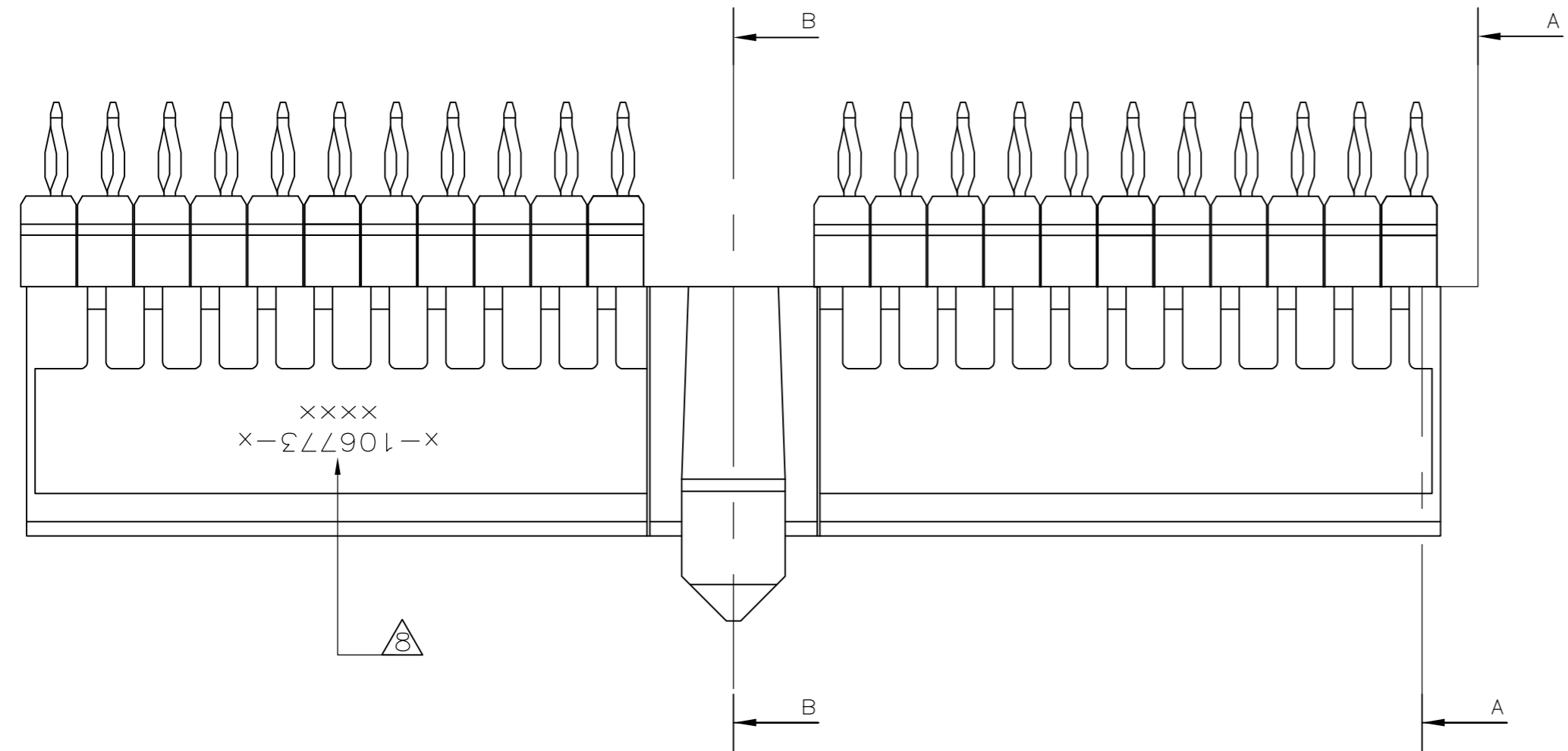


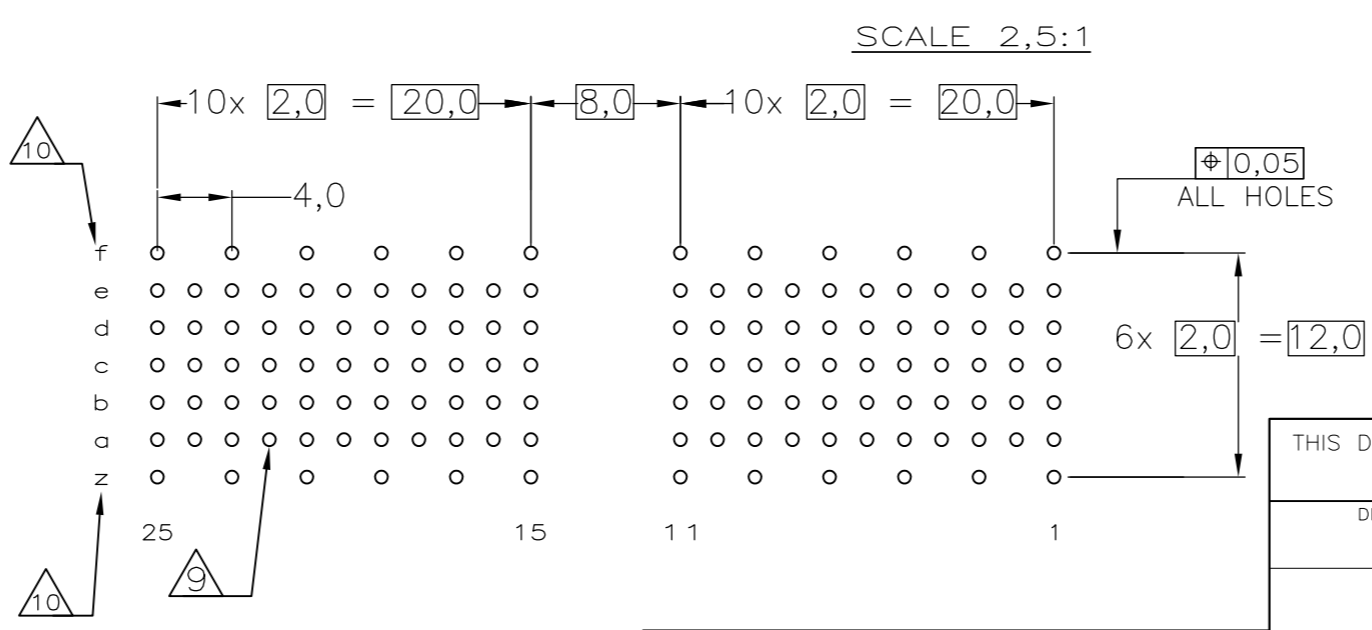
THIS DRAWING IS UNPUBLISHED. RELEASED FOR PUBLICATION
 © COPYRIGHT - By - ALL RIGHTS RESERVED.

| LOC | | DIST | | REVISIONS | | | |
|-----|-----|---------------------------|---------|-----------|------|--|--|
| P | LTR | DESCRIPTION | DATE | OWN | APVD | | |
| N | | REVISED PER ECO-11-008643 | 26MAR11 | RC | CW | | |
| P | | ECO-11-024491 | 13DEC11 | SY | MQW | | |



NOTES:

- 1 MATERIAL CONTACT: PHOSPHORBRONZE
MATERIAL HOUSING: GLASSFILLED POLYESTER
UL-RATING 94VO(GRAY)
- 2 GENERAL PLATING SPECIFICATION: UNDERPLATING (ENTIRE CONTACT): 1,27µm NICKEL MIN. AND ACTION PIN: 0,5µm TIN-LEAD MIN.
FOR PLATING OF MATING SURFACES SEE APPLICABLE SPECIFICATION REFERENCE FOR EACH DASH NUMBER.
- 3 CONFORMS TO ALL TESTING ACCORDING IEC 61076-4-101 PERFORMANCE LEVEL 2.
- 4 CONFORMS TO ALL TESTING ACCORDING IEC 61076-4-101 PERFORMANCE LEVEL 1.
- 5 CONNECTOR TESTED AND QUALIFIED AGAINST TELCORDIA GR-1217-CORE QUALITY LEVEL III, CENTRAL OFFICE APPLICATIONS.
- 6 CONNECTOR TESTED AND QUALIFIED AGAINST TELCORDIA GR-1217-CORE QUALITY LEVEL III, UNCONTROLLED ENVIRONMENT APPLICATIONS.
- 7 CONNECTOR LUBRICATED WITH TELCORDIA APPROVED LUBRICANT.
- 8 CONNECTOR PRINTED WITH PARTNUMBER AND DATECODE.
- 9 PLATED-THROUGH HOLES AT 2x2mm SQUARE GRID (110 HOLES).
- 10 HOLES IN ROW f AND z FOR POSSIBLE FUTURE USE OF GROUND RETURN SHIELD. (SHIELDS NOT YET TOOLED)
- 11 AREA RESERVED FOR KEYING PART (BASIC P.N.:100526).



P.C.B. HOLE DIM. ACTION PIN
FOR DETAILS SEE APPLICATION SPECIFICATION

- 12 OBSOLETE PARTS: OBSOLETE CIS STREAMLINING PER D.RENAUD/D.SINISI
- 13 0.76µm MIN GOLG PLATING AT MATING SURFACES.

| FINISH | MATERIAL | PART NUMBER |
|--------|----------|-----------------------|
| 13 | 1 | 3-106773-0 |
| 13 | 1 | 1-106773-9 |
| 13 | 1 | 106773-9 |
| 13 | 1 | 106773-4 |
| 13 | 1 | 106773-1 |

THIS DRAWING IS A CONTROLLED DOCUMENT.

| | | | |
|----------------|----------------------------------------|----------------------------|-----------------------------------------|
| DIMENSIONS: mm | TOLERANCES UNLESS OTHERWISE SPECIFIED: | DWN L.V.D.HEJVDEN 14APR97 | TE Connectivity |
| | 0-PLC ± | CHK D. TRUREN 14APR97 | |
| | 1-PLC ± | APVD F.V.KONINGSBRUGGE | |
| | 2-PLC ± ±0.2 | PRODUCT SPEC 108-19082 | |
| | 3-PLC ± | APPLICATION SPEC 114-19029 | NAME |
| | 4-PLC ± | WEIGHT | SIZE CAGE CODE DRAWING NO RESTRICTED TO |
| MATERIAL | FINISH | CUSTOMER DRAWING | A2 00779 ©=106773 |
| | | SCALE NTS | SHEET 1 of 1 REV P |

单击下面可查看定价，库存，交付和生命周期等信息

[>>TE Connectivity\(泰科\)](#)