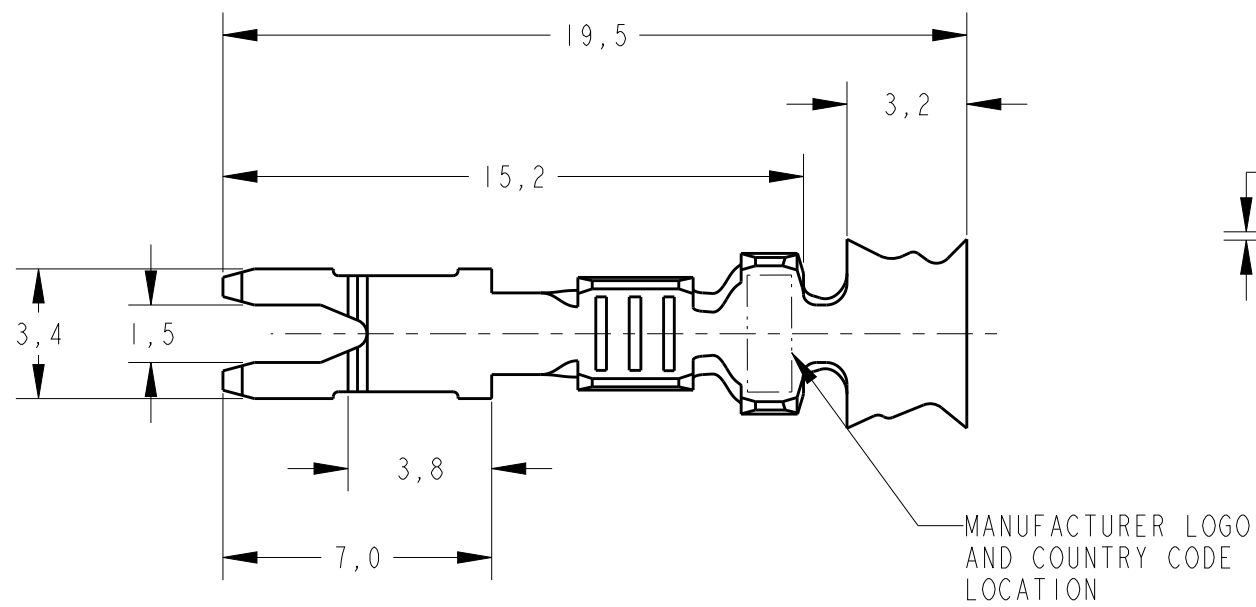
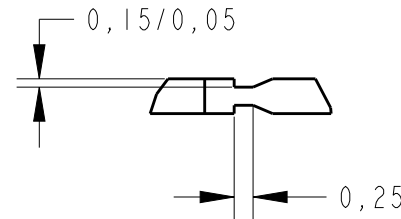


THIS DRAWING IS UNPUBLISHED. RELEASED FOR PUBLICATION 20  
 © COPYRIGHT 20 BY - ALL RIGHTS RESERVED.

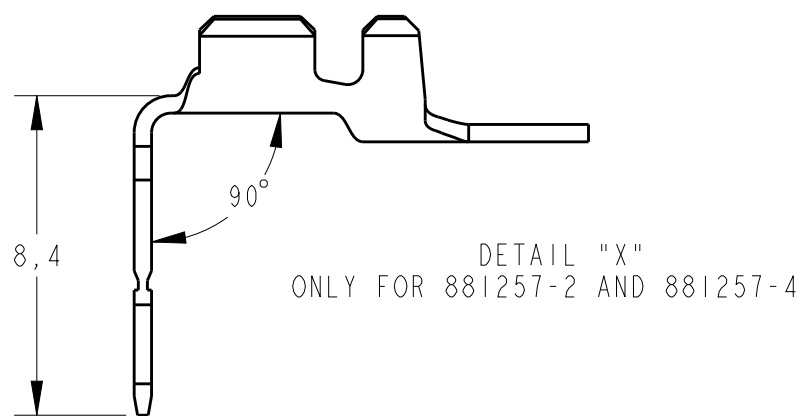
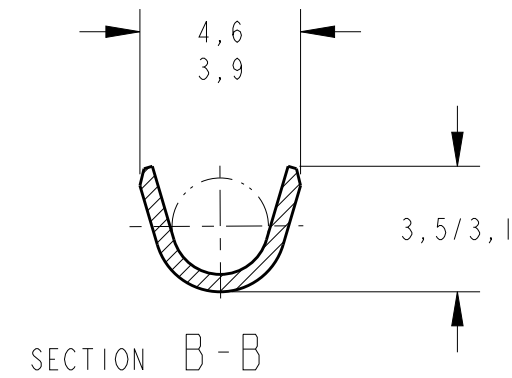
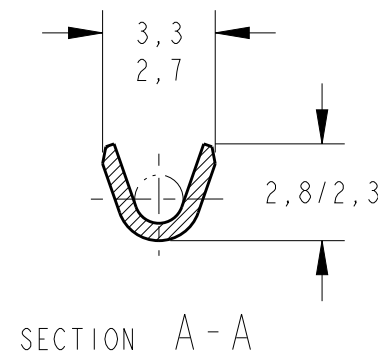
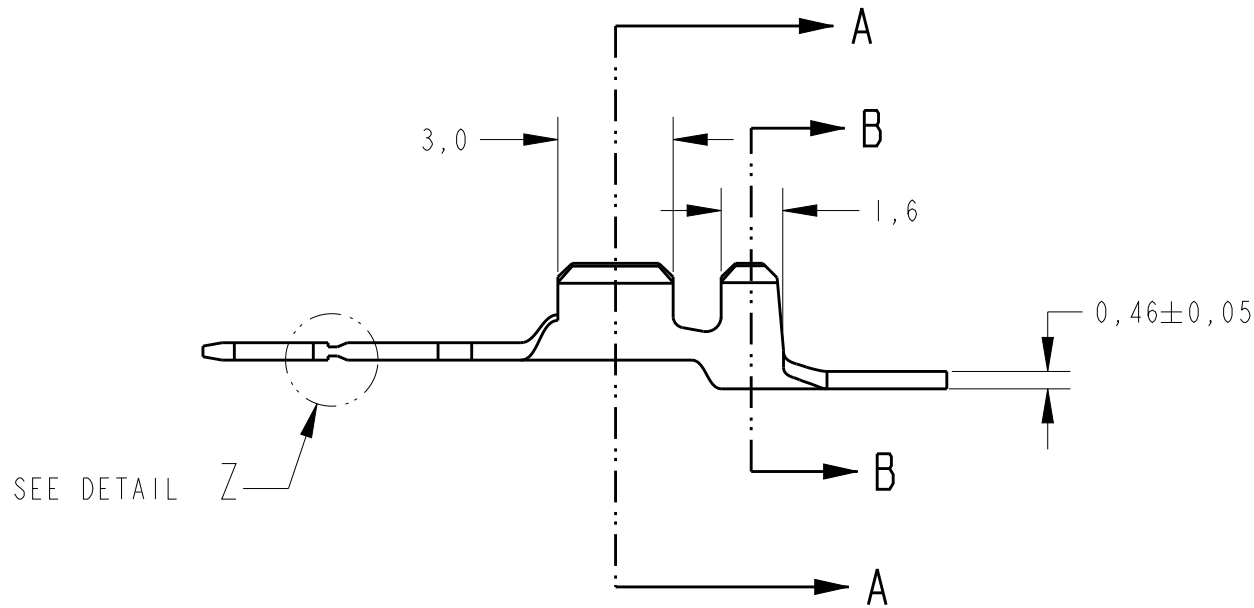
LOC	DIST	REVISIONS			
P	LTR	DESCRIPTION	DATE	DWN	APVD
AP	-				
	E3	REDRAWN AND REVISED ECO 15-002215	25FEB2015	HC	WLS
	E4	REVISED BY ECO 16-003728	11MAR2016	HC	WLS
	E5	REV. BY ECO-18-012657	13AUG2018	HC	WLS



DETAIL Z  
SCALE 10:1



- 1 - SAME AS 881257-1 EXCEPT IT MUST BE BENT AT 90° DURING APPLICATION PROCESS (SEE DETAIL "X").
- 2 - SAME AS 881257-3 EXCEPT IT MUST BE BENT AT 90° DURING APPLICATION PROCESS (SEE DETAIL "X").



FINISH	MATERIAL	PART NUMBER
POST TIN PLATED OVER NICKEL	BRASS	881257-5
	BRASS	881257-4 <sup>2</sup>
	BRASS	881257-3
PRE TIN PLATED	BRASS	881257-2 <sup>1</sup>
PRE TIN PLATED	BRASS	881257-1

INS. RANGE  $\varnothing 1,5/2,5\text{mm.}$  WIRE RANGE 0,3/0,8mm<sup>2</sup>

THIS DRAWING IS A CONTROLLED DOCUMENT.

DWN 25FEB2015 H.C.CANTERI  
 CHK 26FEB2015 W.L.STEFANI  
 APVD -

**STE** TE Connectivity

NAME: MAG-MATE POKE-IN TAB

DIMENSIONS: mm	TOLERANCES UNLESS OTHERWISE SPECIFIED:	PRODUCT SPEC	SIZE	CAGE CODE	DRAWING NO	RESTRICTED TO
	0 PLC ± - 1 PLC ± 0,3 2 PLC ± 3 PLC ± 4 PLC ± ANGLES ± 1°	APPLICATION SPEC	A3	00779	881257	-
MATERIAL -	FINISH -	WEIGHT -	SCALE 5/1		SHEET 1 OF 1	REV E5

Customer Drawing

单击下面可查看定价，库存，交付和生命周期等信息

[>>TE Connectivity\(泰科\)](#)