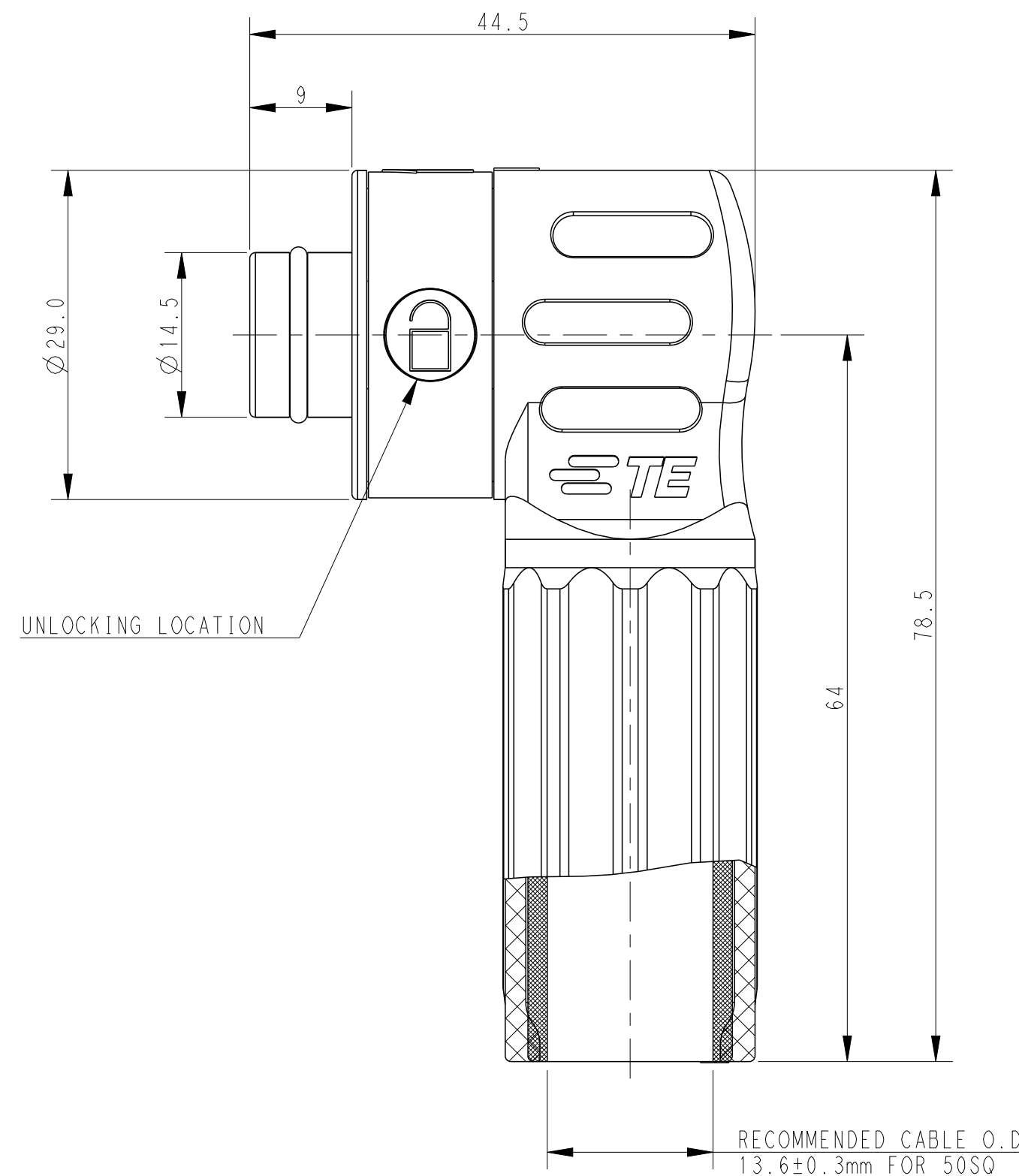
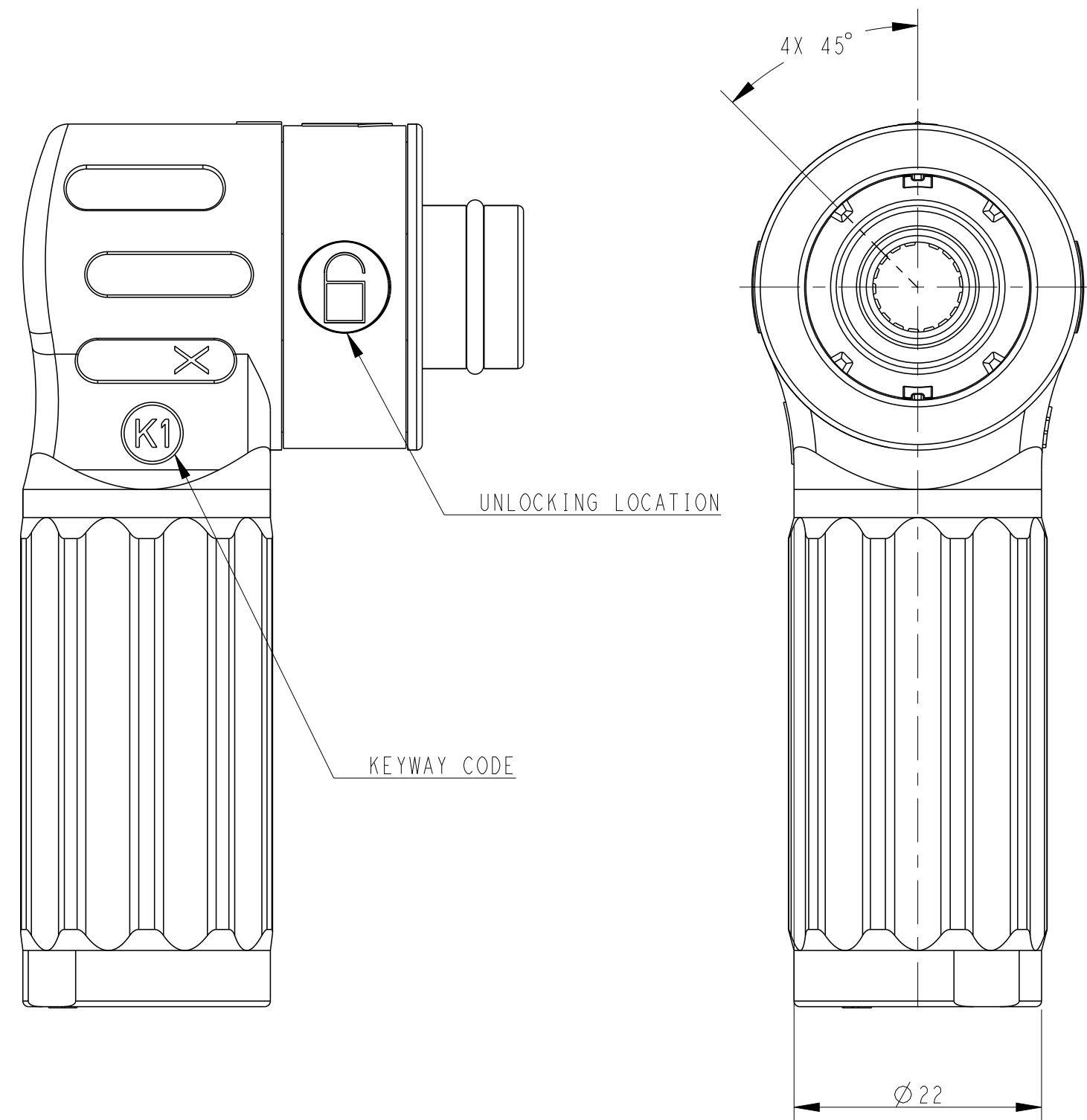


P	LTR	DESCRIPTION	DATE	DWN	APVD
A		INITIAL RELEASE	28APR2022	AD	CW



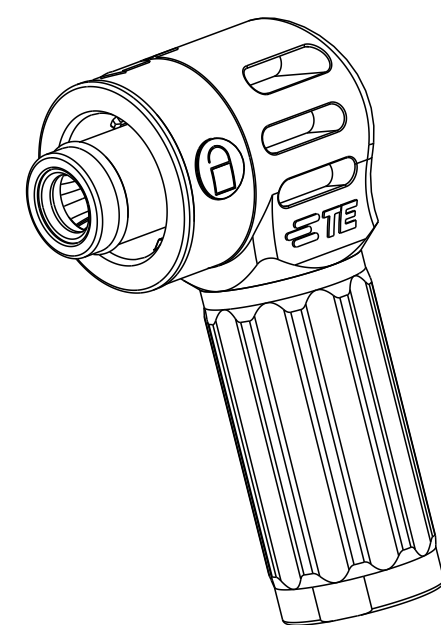
SECTION A-A

NOTES:

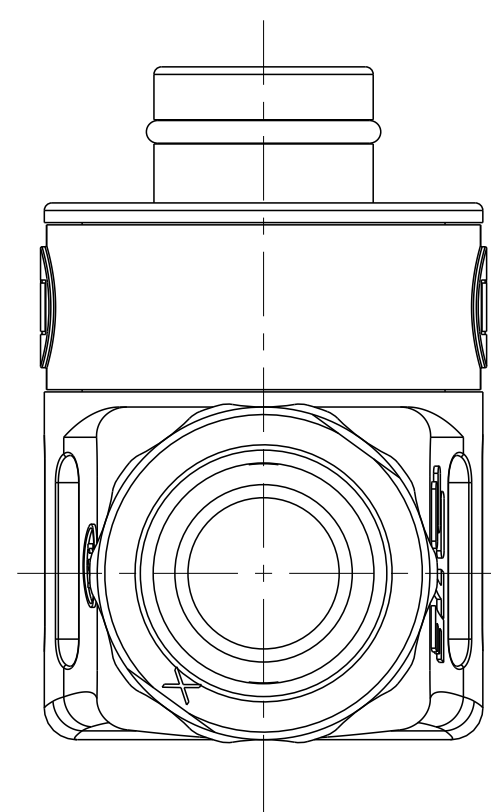
- TECHNICAL CHARACTERISTICS:
 RATED VOLTAGE: 1500V
 RATED CURRENT: 200A (50mm²)
 INSULATION RESISTANCE: >=5000MΩ
 RATED WITHSTAND VOLTAGE: 6.8KV
 POLLUTION DEGREE: 3
 CONTACT RESISTANCE: <0.5mΩ
 PROTECTION CLASS: IP67 (MATED)
 MATING CYCLES: 500 CYCLES
 OPERATION TEMPERATURE: -40°C~+125°C
 COLOR: ORANGE / BLACK
 CONTACT TYPE: CRIMPING

注释:

- 技术参数:
 额定电压: 1500V
 额定电流: 200A (50mm²)
 绝缘电阻: >=5000MΩ
 额定耐电压: 6.8KV
 污染等级: 3
 接触电阻: <0.5mΩ
 防护等级: IP67 (配合)
 插拔次数: 500次
 工作温度: -40°C~+125°C
 颜色: 橙色 / 黑色
 端子类型: 压接式



SCALE 1:1



H1111000301-000	HPC-200-050-F-P-OR-01	HPC, 200A, 50SQMM, FEMALE PLUG, ORANGE, SINGLE CONNECTOR HPC, 200A, 50平方毫米插头橙色单芯连接器
H1111001301-000	HPC-200-050-F-P-BK-01	HPC, 200A, 50SQMM, FEMALE PLUG, BLACK, SINGLE CONNECTOR HPC, 200A, 50平方毫米插头黑色单芯连接器
PART NUMBER 料号	DESCRIPTION 描述	
THIS DRAWING IS A CONTROLLED DOCUMENT.		DWN Alan Dong 24MAR2022 CHK Gino Yao 24MAR2022 APVD Chris Wang 24MAR2022
DIMENSIONS: mm		TOLERANCES UNLESS OTHERWISE SPECIFIED: 0 PLC ± 1 PLC ± 2 PLC ± 3 PLC ± 4 PLC ± ANGLES ± FINISH
MATERIAL		PRODUCT SPEC 108-137616 APPLICATION SPEC 114-137616 WEIGHT -
CUSTOMER DRAWING		NAME HPC-200-050-F-P-XX-01 SIZE A2 CAGE CODE 00779 DRAWING NO. C-H111100X301000 RESTRICTED TO - SCALE 2:1 SHEET 1 OF 1 REV A

单击下面可查看定价，库存，交付和生命周期等信息

[>>TE Connectivity\(泰科\)](#)