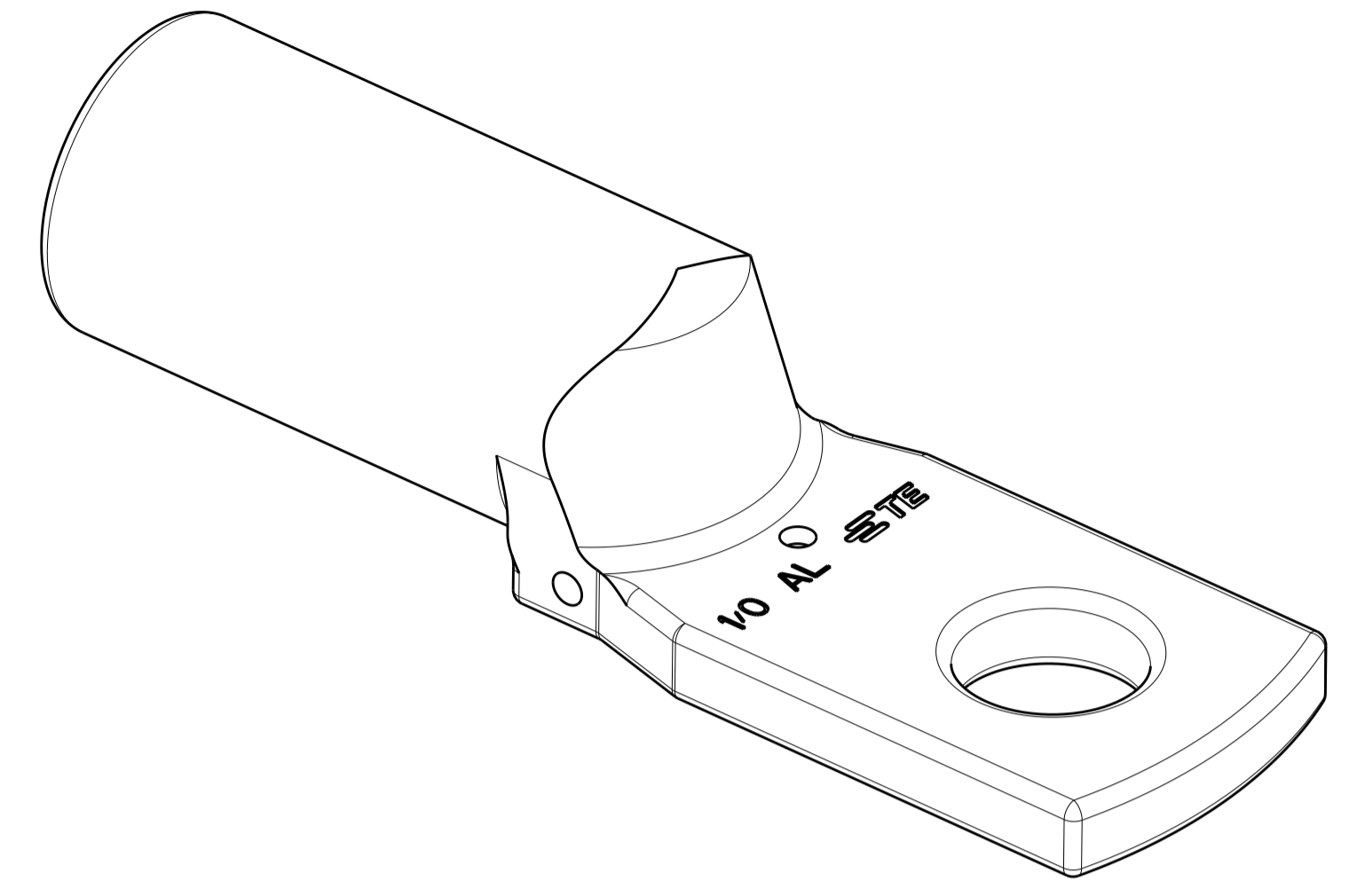
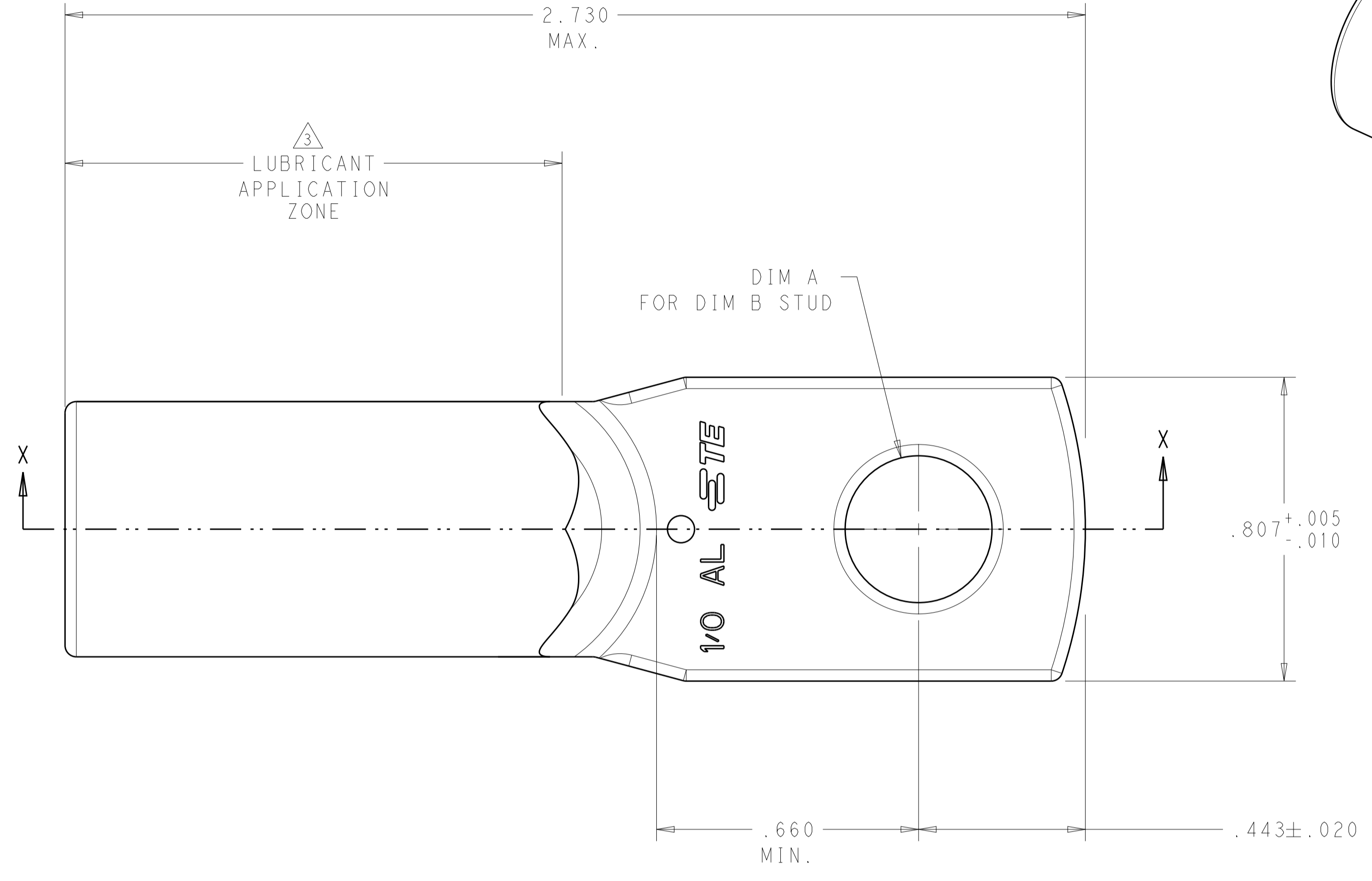
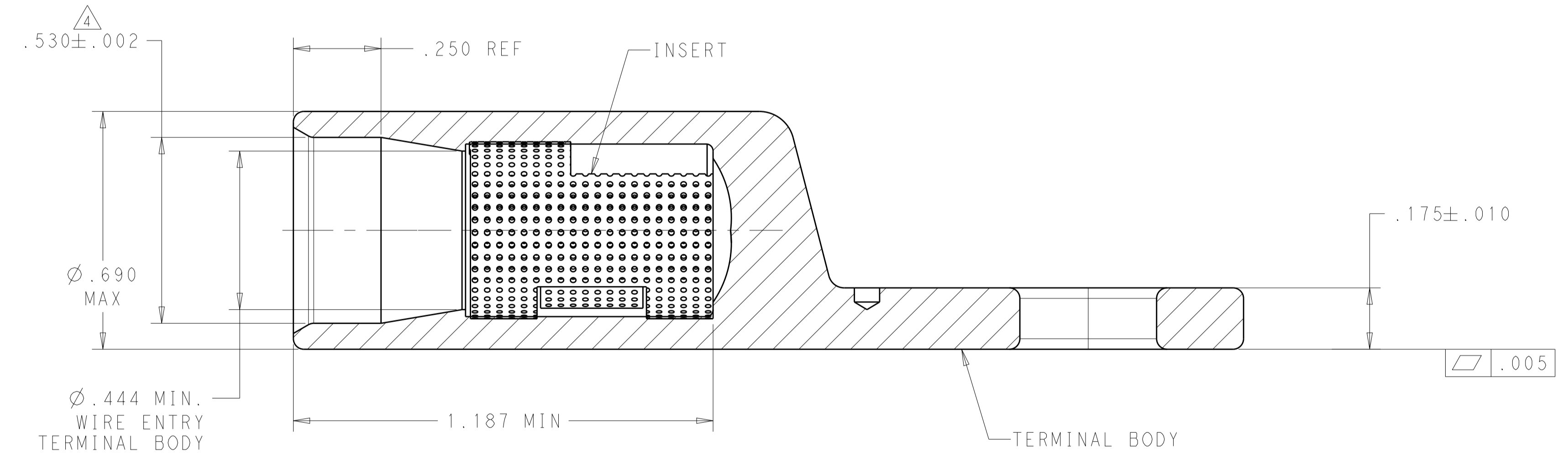


1. MATERIAL:
 BODY: ALUMINUM PER ASTM B317
 INSERT: BRASS PER ASTM B36
2. FINISH:
 BODY: .000600 MIN MATTE TIN PER ASTM B545
 OVER .000060 MIN NICKEL PER ASTM B733.
 INSERT: .000150 MIN MATTE NICKEL PER QQ-N-290
3. PTFE DRY LUBRICANT 360 DEGREE ON OUTER DIAMETER OF CRIMP BARREL IN ZONE SHOWN.
4. WIRE INSULATION RANGE: .425-.513.
5. SEE TE CONNECTIVITY APPLICATION SPEC. 114-32098 FOR APPLICATION REQUIREMENTS.
6. SEE TE CONNECTIVITY INSTRUCTION SHEET 408-32087 FOR TOOLING AND CRIMP INSTRUCTIONS, FIGURE 3 FOR WIRE STRIPPING DETAIL.

REVISIONS				
P.	LTN	DESCRIPTION	DATE	APVD
E		REV PER ECO 19-019314	2-27-20	CT PD



SCALE 3:1



SECTION X-X

5/16	.328	2102572-3
3/8	.390	2102572-1
DIM B	DIM A	PART NO.

THIS DRAWING IS A CONTROLLED DOCUMENT.

DIMENSIONS: IN	TOLERANCES UNLESS OTHERWISE SPECIFIED: 0 PLC ±.1 1 PLC ±.01 2 PLC ±.005 3 PLC ±.005 4 PLC ±.0005 ANGLES ±1°	FINISH SEE CALL-OUT	WEIGHT 21.22GRAMS	SCALE 4:1	SHEET 1 OF 1	REV E
-------------------	---	------------------------	----------------------	--------------	-----------------	----------

DWN: D. FABIAN 14NOV2011
 CHK: DEROCK, KIM 28NOV2012
 APVD: DEROCK, KIM 28NOV2012
 PRODUCT SPEC: -
 APPLICATION SPEC: -
 CUSTOMER DRAWING

STE TE Connectivity
 NAME: ASSEMBLY, ALUMINUM TERMINAL, STRAIGHT, SINGLE HOLE, 1/0
 SIZE: 5/16 CAGE CODE: 328 DRAWING NO: 2102572-3
 RESTRICTED TO: A 100779 ©=2102572

单击下面可查看定价，库存，交付和生命周期等信息

[>>TE Connectivity\(泰科\)](#)