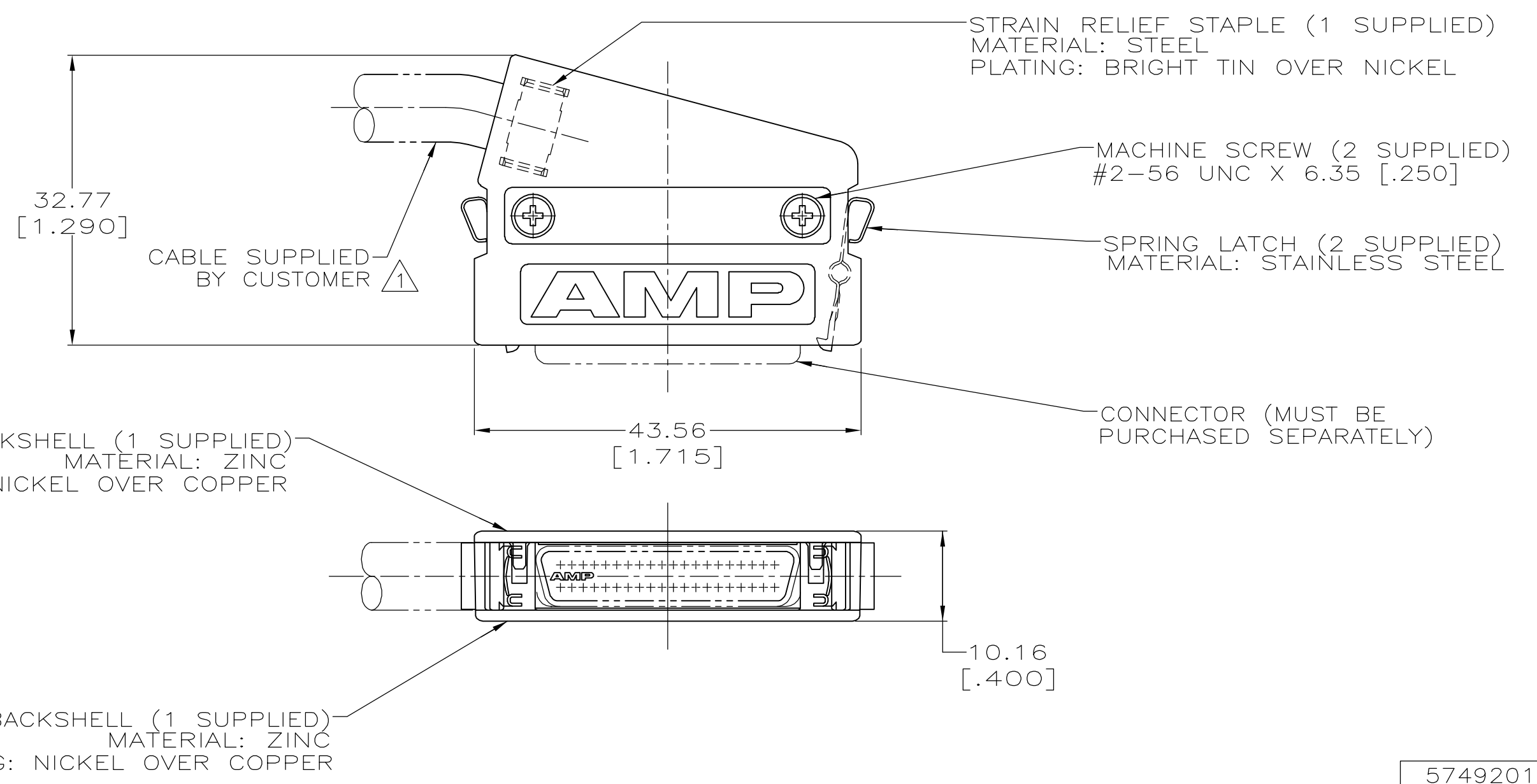


LOC	DIST	REVISIONS					
GP	00	P	LTR	DESCRIPTION	DATE	DWN	APVD
		0		RELEASED PER EC 0S13-0287-05	14FEB06	JG	SS



$\triangle 1$  8.13 [.320] MAX CABLE DIA

5749201-1  
PART NUMBER

THIS DRAWING IS A CONTROLLED DOCUMENT.		DWN	J.GERACE	14FEB06		Tyco Electronics Corporation	
		CHK	S.SHUEY	14FEB06		Harrisburg, PA 17105-3608	
		APVD	M.WALMSLEY	14FEB06		NAME	
DIMENSIONS: mm[INCHES]		TOLERANCES UNLESS OTHERWISE SPECIFIED:		PRODUCT SPEC APPLICATION SPEC WEIGHT -			
		0 PLC	± -	INDIVIDUAL KIT, UNASSEMBLED, 40 POS, 75 DEGREE EXIT, UNKEYED, AMPLIMITE .050 SERIES			
		1 PLC	± -	SIZE	CAGE CODE	DRAWING NO	RESTRICTED TO
		2 PLC	± -	A3	00779	C-5749201	-
		3 PLC	± 0.38 [.015]	CUSTOMER DRAWING			
		4 PLC	± -	SCALE	SHEET	REV	
		ANGLES	± -	2:1	1 of 1	0	
MATERIAL -		FINISH -					

单击下面可查看定价，库存，交付和生命周期等信息

[>>TE Connectivity\(泰科\)](#)