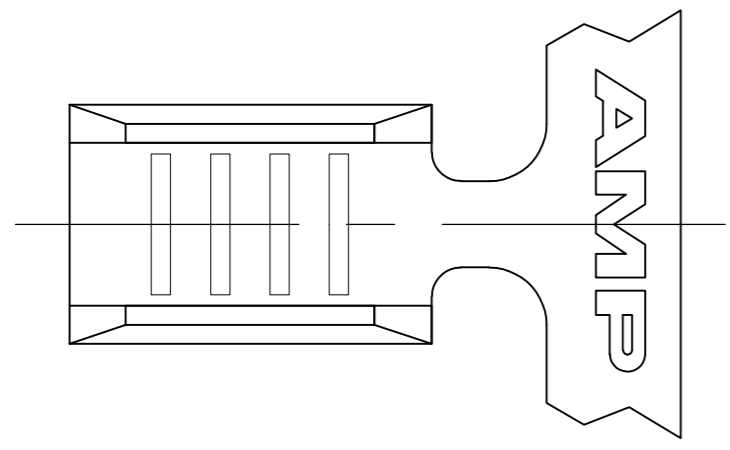


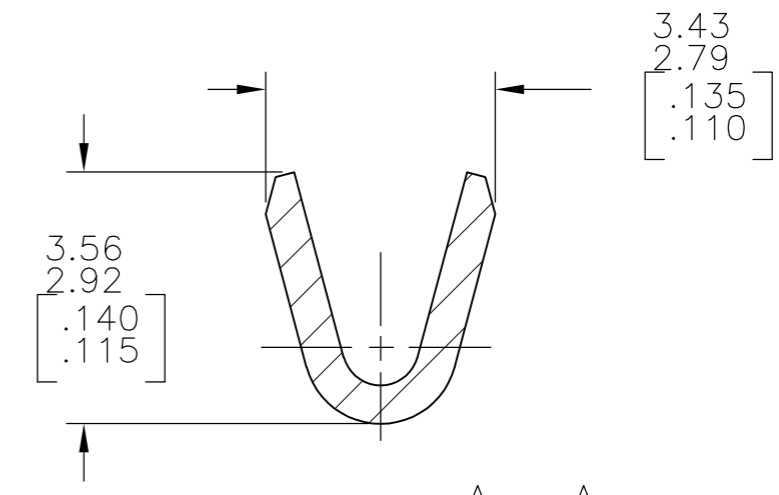
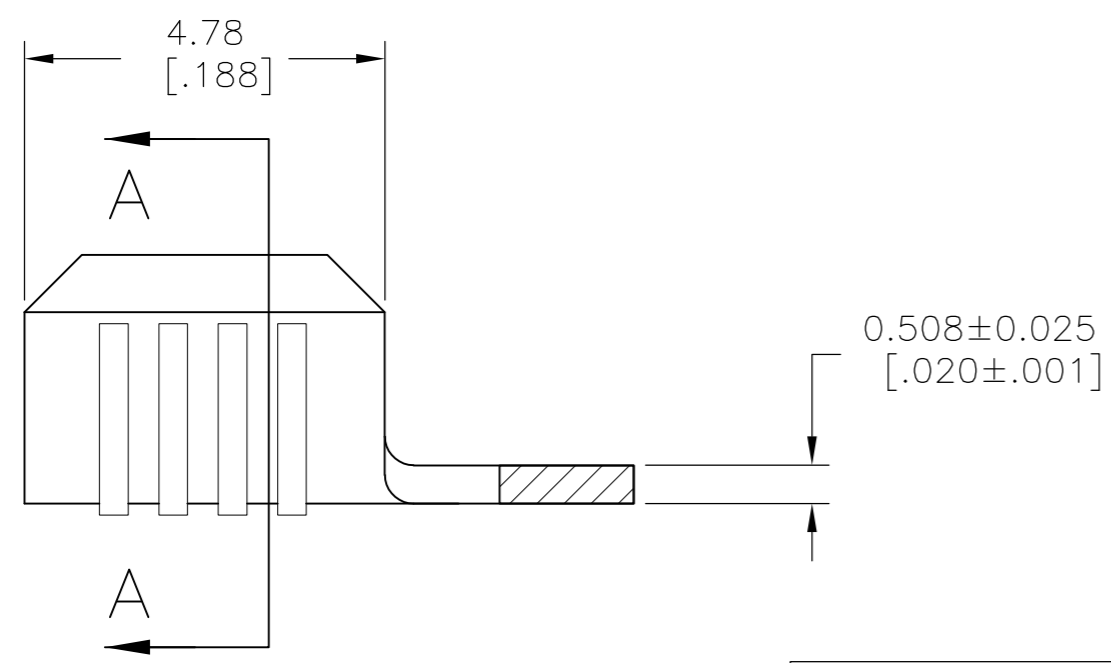
THIS DRAWING IS UNPUBLISHED. RELEASED FOR PUBLICATION
 © COPYRIGHT BY TYCO ELECTRONICS CORPORATION. ALL INTERNATIONAL RIGHTS RESERVED.

LOC	DIST	REVISIONS					
AF	50	P	LTR	DESCRIPTION	DATE	DWN	APVD
			K1	REVISED PER ECR-08-016766	18JUL08	HMR	DL



- 1 CONTINUOUS STRIP ON REEL.
- 2 CRIMP WIDTH: .090 F TYPE
 CRIMP HEIGHT: $(\pm .002) = (\text{TOTAL CMA} + 8300) / 145,800$
 FOR APPLICATOR INFORMATION CALL: 1-800-722-1111
 FOR PRODUCT INFORMATION CALL: 1-800-522-6752

- 3 0.002032 [.000080] MIN TIN PLATE.
- 4 PRELIMINARY - NOT FOR PRODUCTION.



	3	H00 COPPER	1200-2600 CMA	4	60372-5
OBSOLETE	-	TA STAINLESS STEEL	1200-2600 CMA	-	60372-4
OBSOLETE	3	T3 CR STEEL	1200-2600 CMA	-	60372-3
OBSOLETE	3	082 BRASS	1200-2600 CMA	-	60372-2
	-	082 BRASS	1200-2600 CMA	-	60372-1
		FINISH	MATERIAL	WIRE RANGE	PART NUMBER

THIS DRAWING IS A CONTROLLED DOCUMENT.		DWN PHILLIP M FORTNEY 24/JAN/97	Tyco Electronics Corporation Harrisburg, PA 17105-3608													
DIMENSIONS: mm [INCHES]		CHK JEFF R RUTH 24/JAN/97	NAME													
TOLERANCES UNLESS OTHERWISE SPECIFIED:		APVD DENNIS SCHWENK 24/JAN/97	SPLICE													
<table border="0"> <tr><td>0 PLC</td><td>± -</td></tr> <tr><td>1 PLC</td><td>± -</td></tr> <tr><td>2 PLC</td><td>± 0.25 [.010]</td></tr> <tr><td>3 PLC</td><td>± -</td></tr> <tr><td>4 PLC</td><td>± -</td></tr> <tr><td>ANGLES</td><td>± -</td></tr> </table>		0 PLC	± -	1 PLC	± -	2 PLC	± 0.25 [.010]	3 PLC	± -	4 PLC	± -	ANGLES	± -	PRODUCT SPEC -	APPLICATION SPEC 114-2088	RESTRICTED TO -
0 PLC	± -															
1 PLC	± -															
2 PLC	± 0.25 [.010]															
3 PLC	± -															
4 PLC	± -															
ANGLES	± -															
MATERIAL SEE TABLE	FINISH SEE TABLE	WEIGHT -	SIZE A3	CAGE CODE 00779												
CUSTOMER DRAWING		DRAWING NO C-60372	SCALE 10:1	SHEET 1 OF 1												
		REV K1														

单击下面可查看定价，库存，交付和生命周期等信息

[>>TE Connectivity\(泰科\)](#)