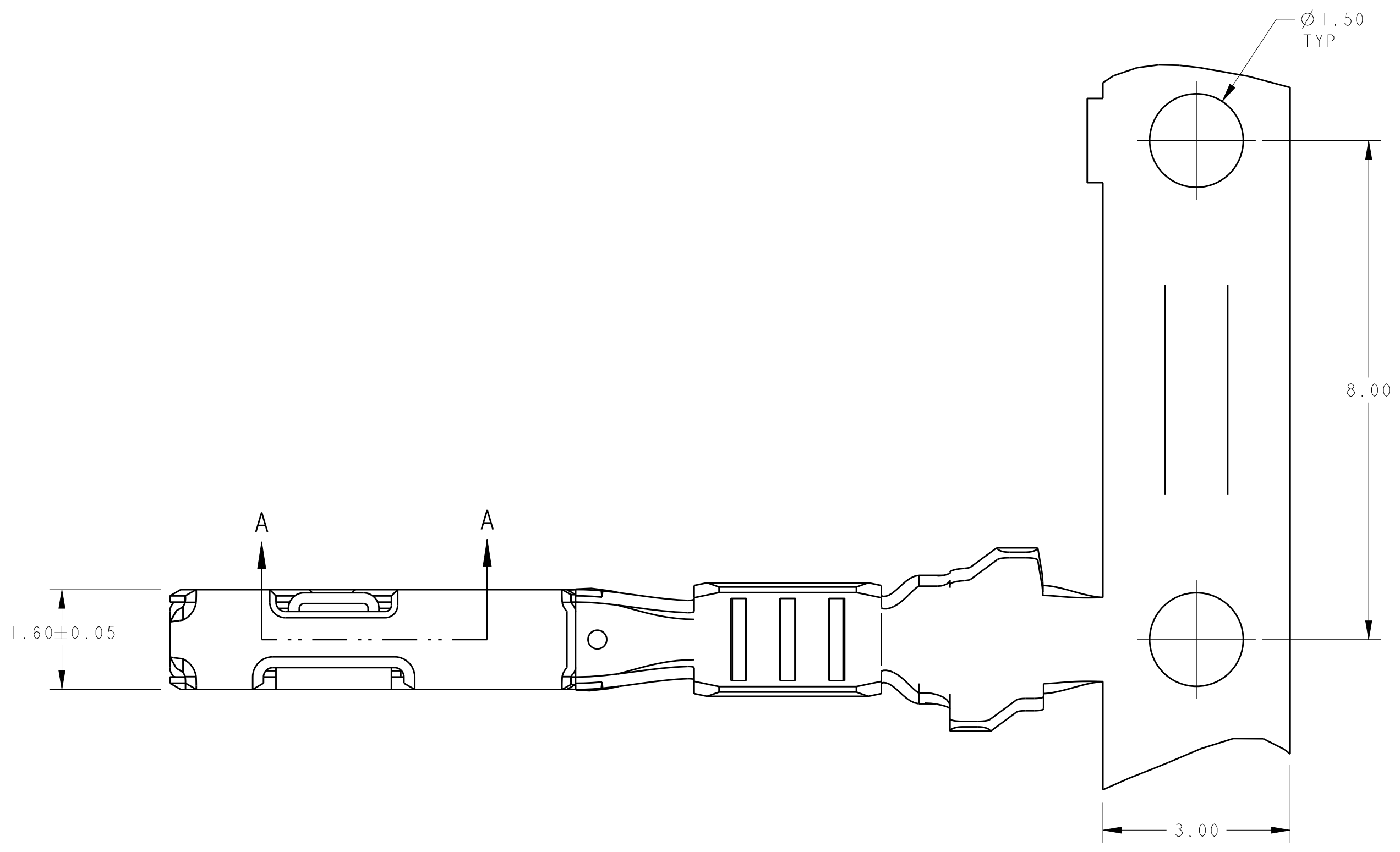
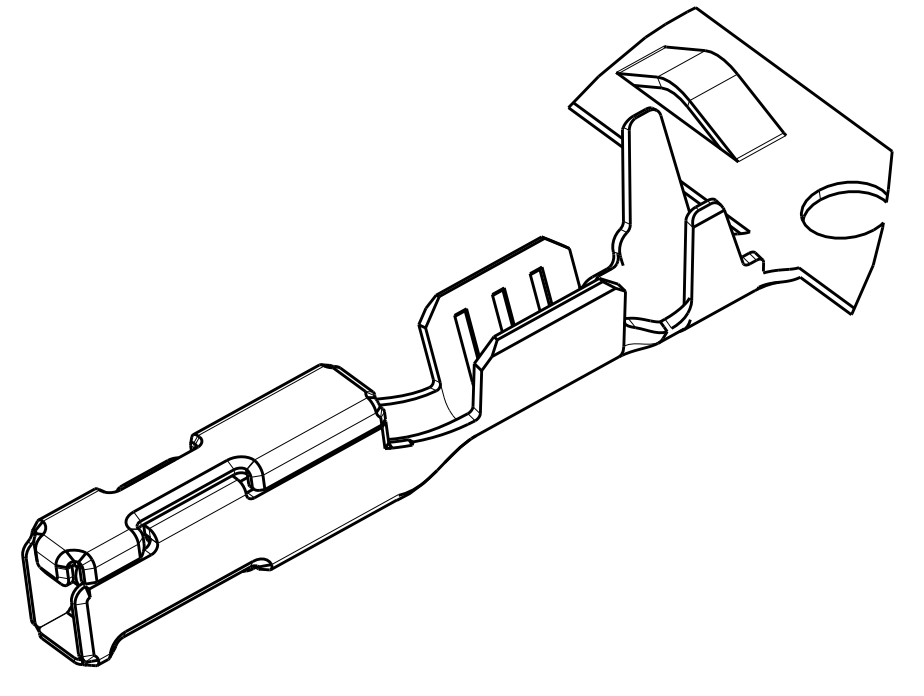
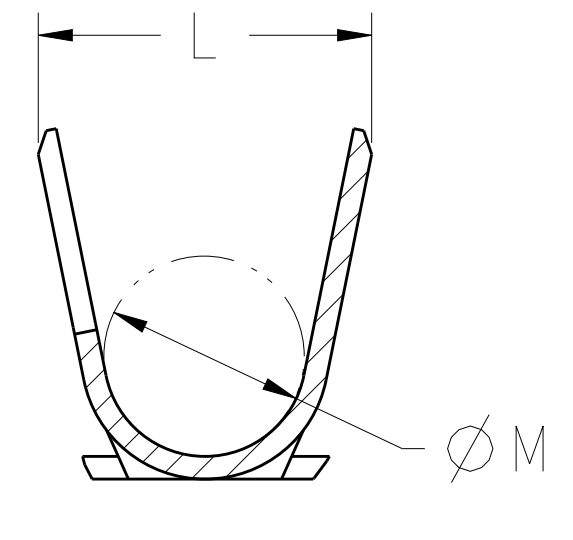
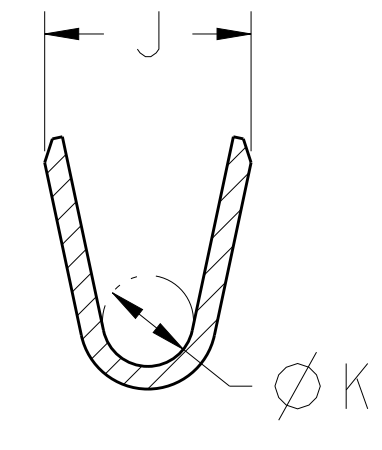
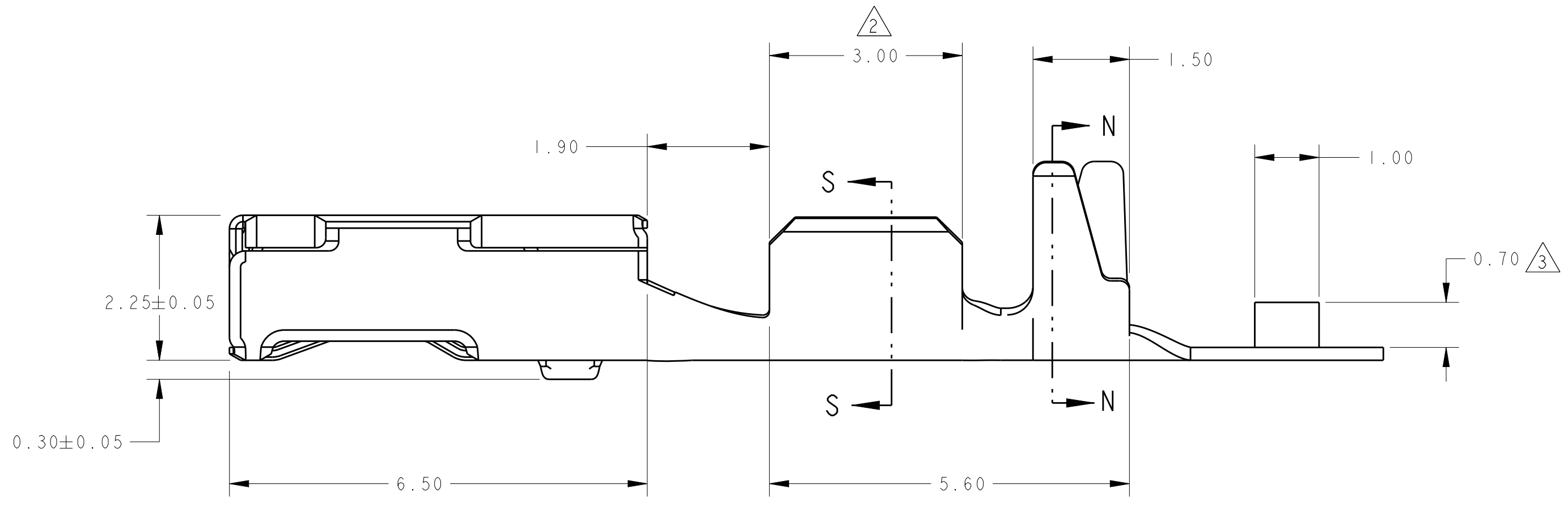
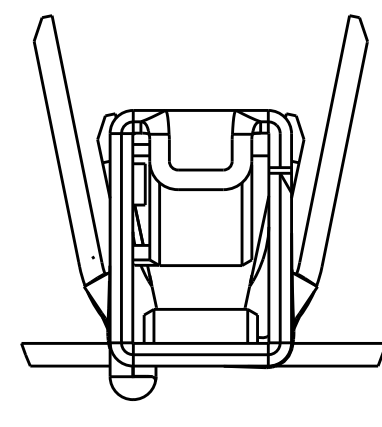


REVISIONS				
P.	LTN	DESCRIPTION	DATE	APVD
D		REVISED PER ECO-16-006930	17MAY2016	DLD CJS
E		REVISED PER ECO-16-016441	17NOV2016	DLD CJS
E1		REVISED PER ECO-17-000350	18JAN2017	DLD CJS
E2		REVISED PER ECO-19-013076	09SEP2019	JMS CS

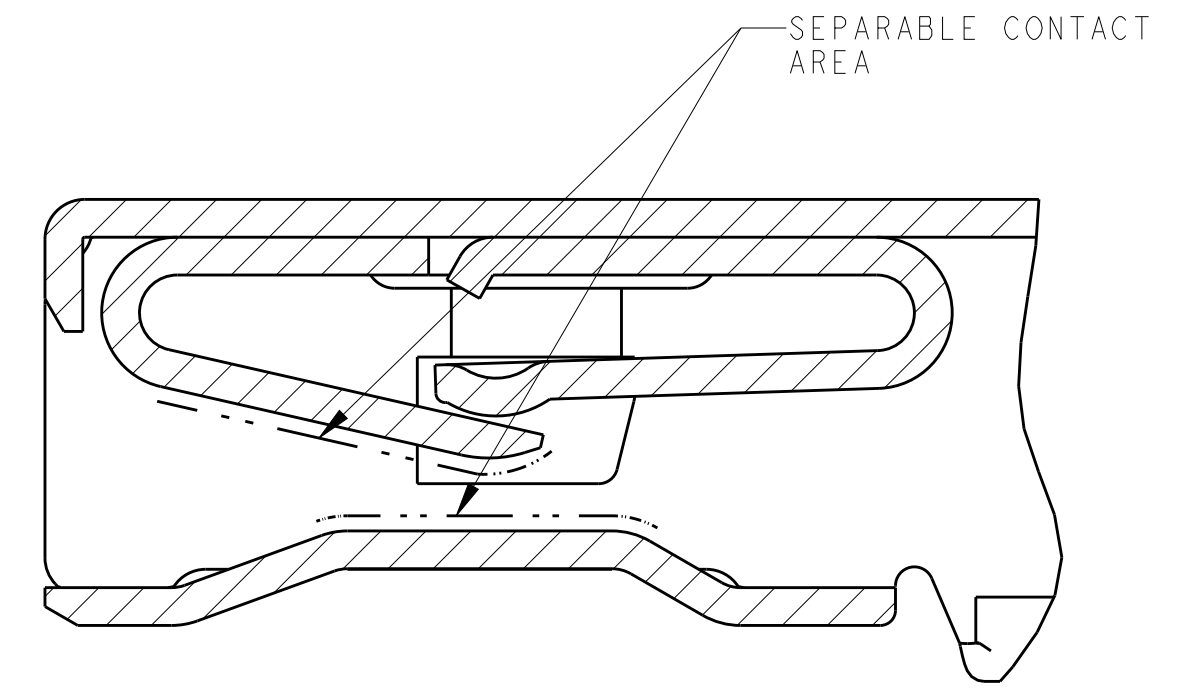


- △ MATERIAL: COPPER ALLOY
- △ FINISH: PRE-PLATED WITH SELECT SILVER AND TIN ALL OVER NICKEL. SEPARABLE CONTACT INTERFACE AREA: 1.00-3.00µm SILVER. CRIMP AREA: 1.00µm MIN TIN.
- △ MATERIAL ID FEATURE IN "UP" POSITION.
- 4. NORMAL FORCE 240 GRAMS REFERENCE.
- 5. AVERAGE ENGAGEMENT FORCE TARGET 3.0N REF.
- △ TERMINAL HAS NYE LUBRICANTS NYETACT 568J-50-UV PERFORMANCE LUBE/GREASE APPLIED. THIS IS A WHITISH COLORED LUBE. AMOUNT AND VISIBILITY MAY VARY.
- 7. FOR SILVER PLATING: ELECTRICAL PERFORMANCE IS NOT AFFECTED BY GRAY OR BLACK TARNISH ON THE SILVER PLATING SURFACE. ACCEPTABLE SILVER SURFACE CAN INCLUDE GRAY OR BLACK TARNISH.
- △ NOT INTENDED FOR SEALED APPLICATIONS.
- △ SEALING CAPABILITY MUST BE EVALUATED ON AN APPLICATION BASIS.



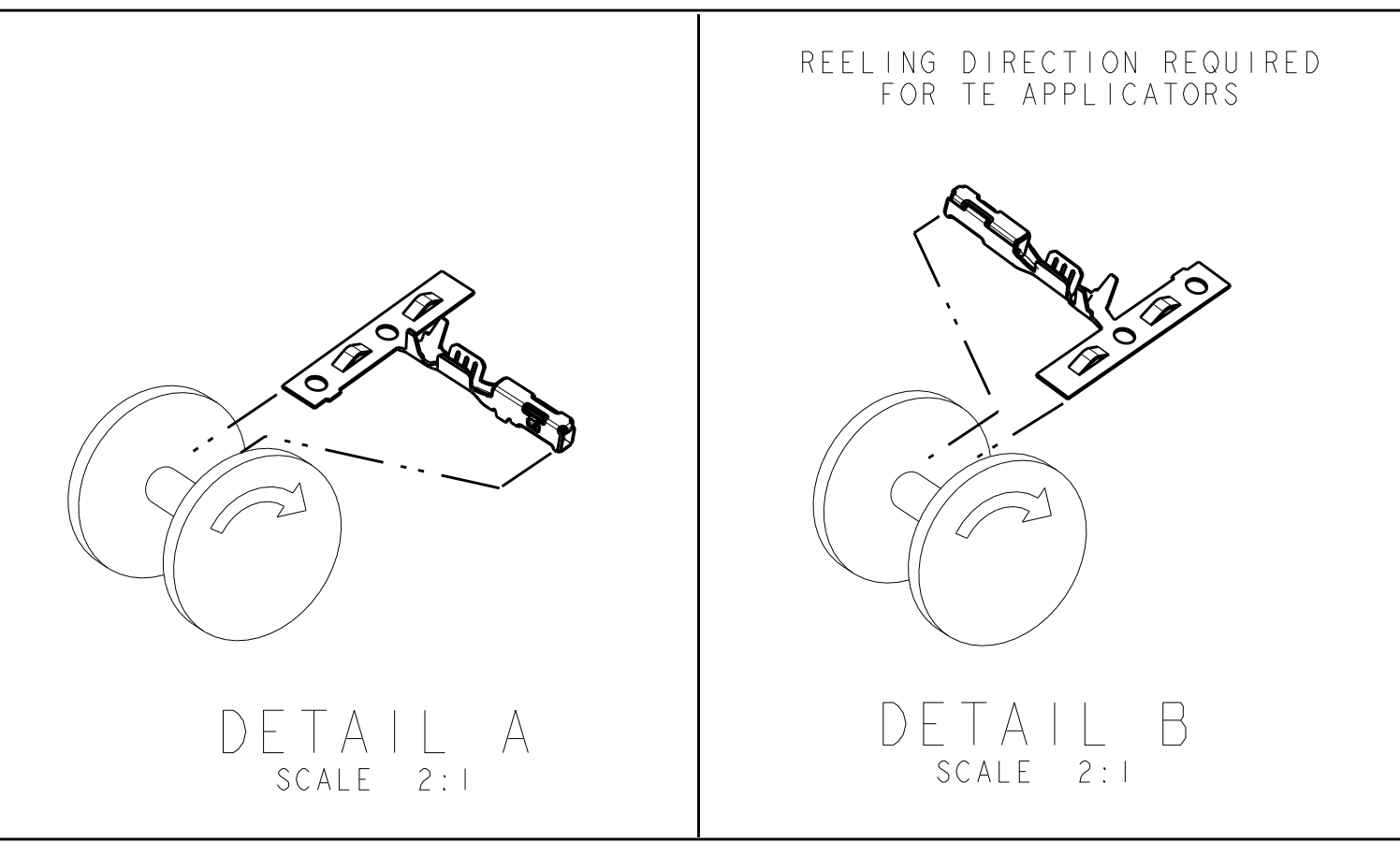
SECTION S-S

SECTION N-N



SECTION A-A
SCALE 25:1

△	△	DETAIL B	1.40	2.40	0.80	1.85	1.10-1.40	0.35	22	1456968-8	△
△	△	DETAIL B	0.85	1.82	0.65	1.50	0.85-1.05	0.13	26	1456968-7	△
△	△	DETAIL A	1.40	2.40	0.80	1.85	1.10-1.40	0.35	22	1456968-6	△
△	△	DETAIL A	0.85	1.82	0.65	1.50	0.85-1.05	0.13	26	1456968-5	△
△	△	DETAIL B	1.78	2.94	1.00	1.96	1.60-2.06	0.75	18	1456968-4	△
△	△	DETAIL B	1.78	2.94	0.80	1.82	1.50-1.85	0.35-0.50	20-22	1456968-3	△
△	△	DETAIL A	1.78	2.94	1.00	1.96	1.60-2.06	0.75	18	1456968-2	△
△	△	DETAIL A	1.78	2.94	0.80	1.82	1.50-1.85	0.35-0.50	20-22	1456968-1	△
FINISH	REELING		M	L	K	J	INSULATION DIA	mm ²	AWG	PART NUMBER	
								WIRE SIZE			



THIS DRAWING IS A CONTROLLED DOCUMENT.

DIMENSIONS: mm

TOLERANCES UNLESS OTHERWISE SPECIFIED:

0 PLC	±
1 PLC	±0.15
2 PLC	±
3 PLC	±
4 PLC	±
ANGLES	±

MATERIAL: △

FINISH: △

THIS DRAWING IS A CONTROLLED DOCUMENT. DWN F. KINSEY 16APR2007, CHM C. SCHMID 16APR2007, APVD C. SCHMID 16APR2007

PRODUCT SPEC: △

STE TE Connectivity

CONTACT, FEMALE, 0.64, SILVER PLATE GENERATION Y

SIZE: A100779, CAGE CODE: 1456968, DRAWING NO: 114-13183

WEIGHT: 0.23g

CUSTOMER DRAWING

SCALE: 15:1, SHEET: 1 OF 1, REV: E2

单击下面可查看定价，库存，交付和生命周期等信息

[>>TE Connectivity\(泰科\)](#)