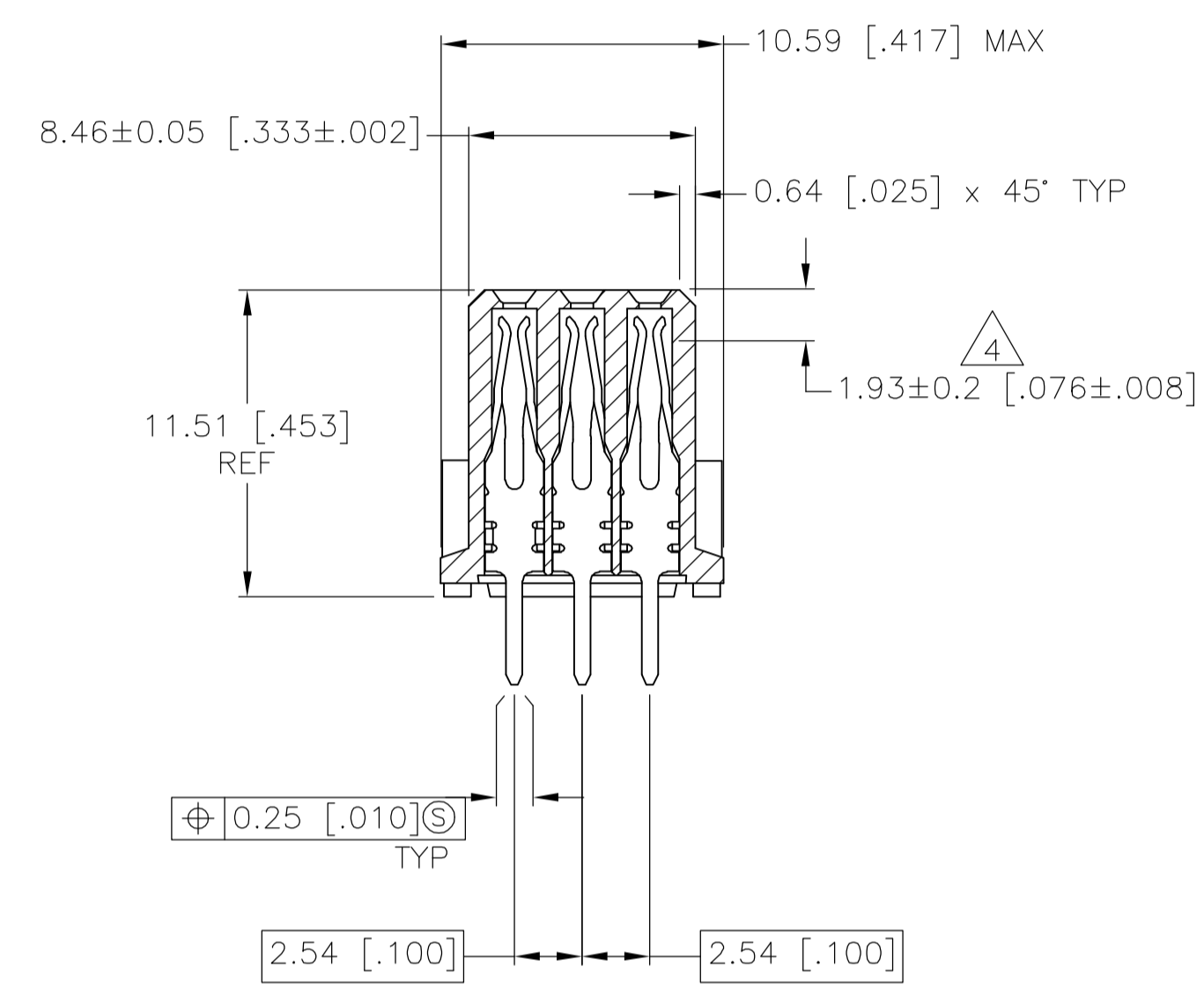
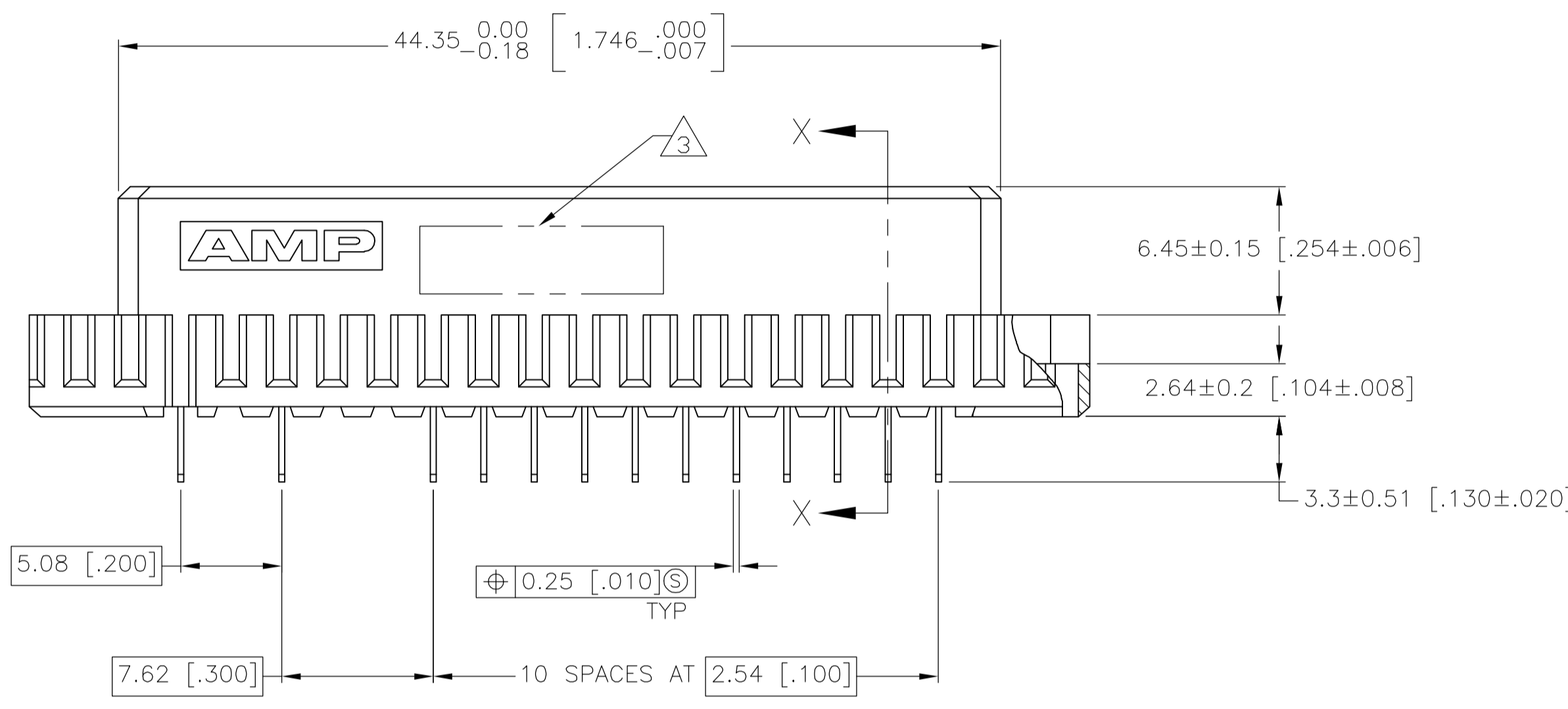
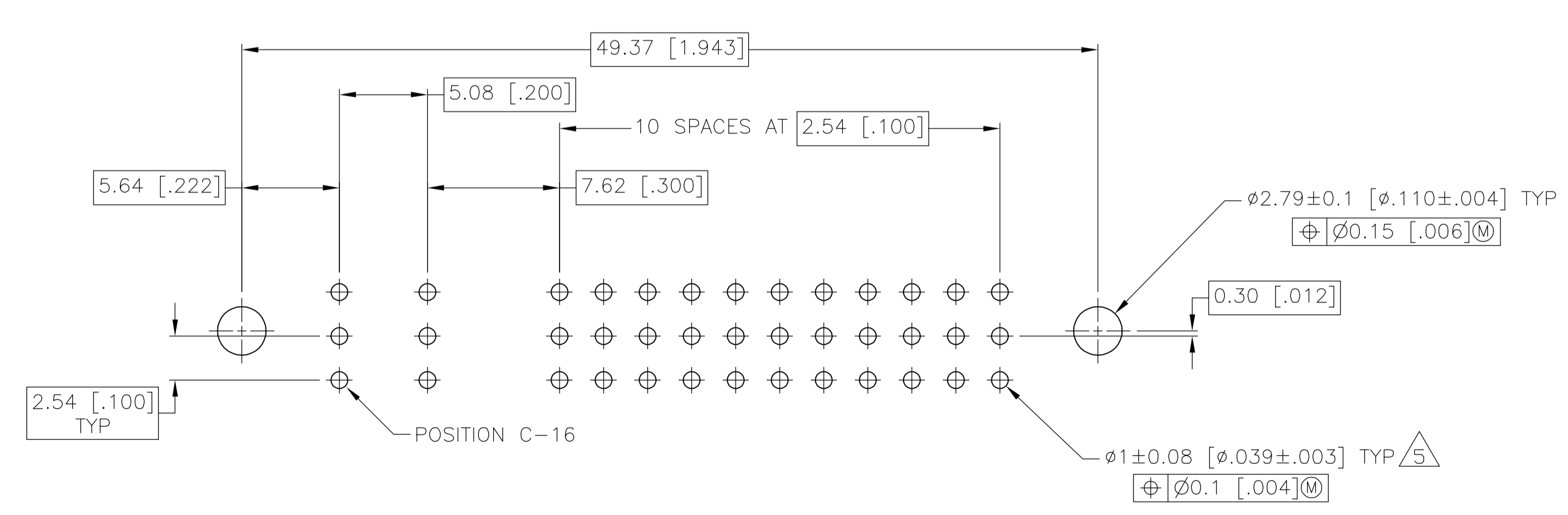
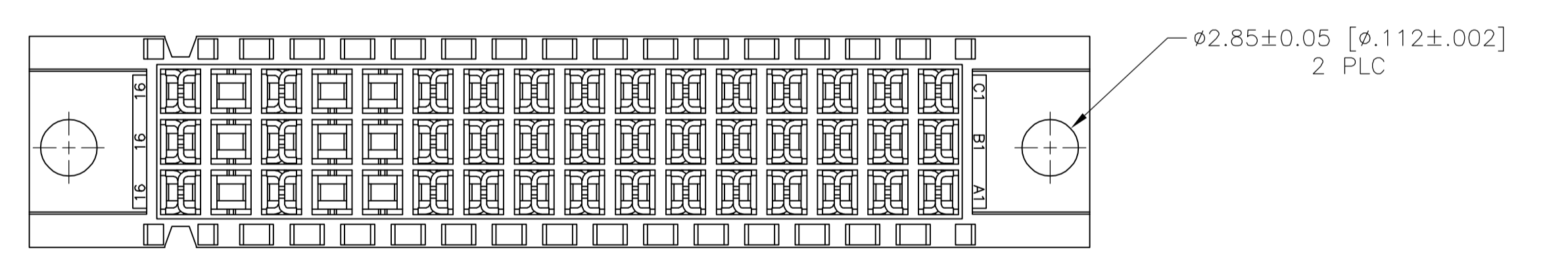


- 1 HOUSING: GLASS-FILLED POLYMER.
CONTACT: COPPER ALLOY.
- 2 CONTACT FINISH: DIN 41612 CLASS 2 IN CONTACT AREA. TIN PLATE ON POSTS.
- 3 PART NUMBER, DATE CODE IDENTIFICATION, CSA LOGO IN THIS APPROXIMATE AREA, ON REVERSE SIDE.
- 4 CONTACT POINT.
- 5 RECOMMENDED HOLE SIZE FOR MANUAL APPLICATION OF CONNECTOR ONTO PC BOARD.



SECTION X-X



PC BOARD LAYOUT

1-11, 14, 16	C	13	5148656-4
1-11, 14, 16	B	13	
1-11, 14, 16	A	13	
POSITIONS LOADED	ROWS	NO OF LOADED POSN	PART NUMBER

THIS DRAWING IS A CONTROLLED DOCUMENT.

DIMENSIONS: mm [INCHES]	TOLERANCES UNLESS OTHERWISE SPECIFIED:	DIN J. POLIGNOJNE 27MAY05	Tyco Electronics Corporation Harrisburg, PA 17105-3608
0 PLC ± -	1 PLC ± -	CIK A. SHARPE 27MAY05	
2 PLC ± 0.13 [.005]	3 PLC ± -	APVD A. SHARPE 27MAY05	NAME ASSEMBLY, RECEPTACLE, EUROCARD, TYPE 1/2C, 39/48 POSITION, SELECT LOAD, 3.30[.130] SOLDER POSTS
4 PLC ± -	ANGLES ± -	APPLICATION SPEC	SIZE A1
MATERIAL	FINISH	WEIGHT	CAGE CODE 00779
			DRAWING NO. 5148656
			RESTRICTED TO
			CUSTOMER DRAWING

SCALE 4:1 SHEET 1 OF 1 REV 0

单击下面可查看定价，库存，交付和生命周期等信息

[>>TE Connectivity\(泰科\)](#)