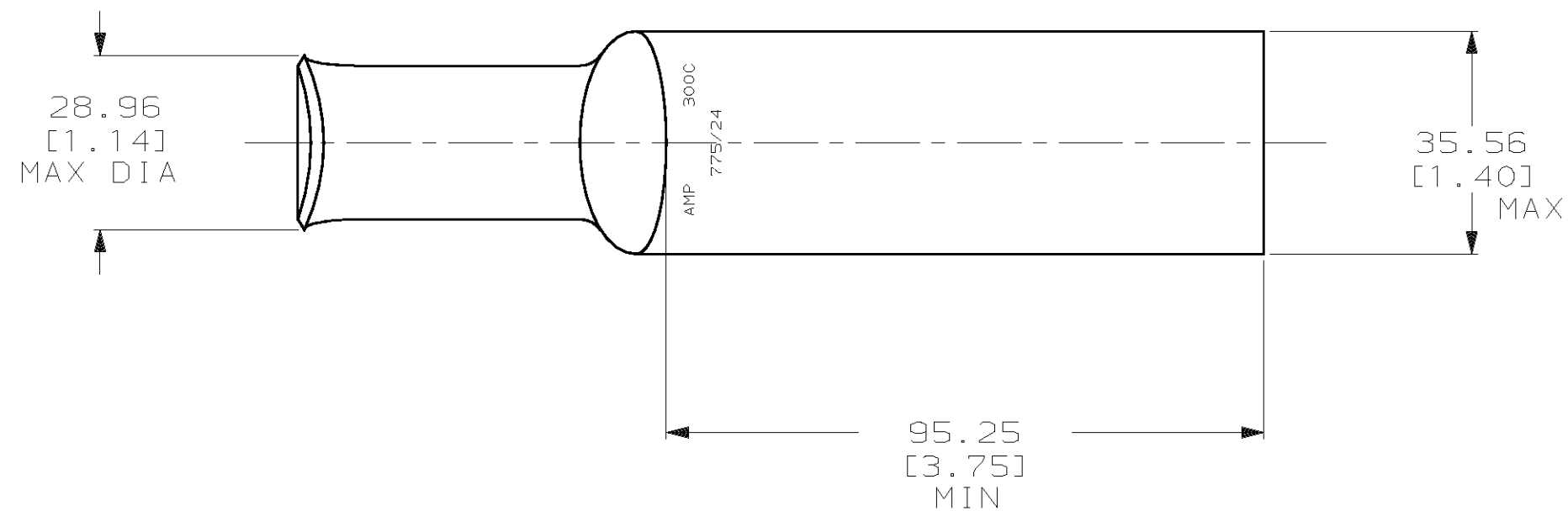
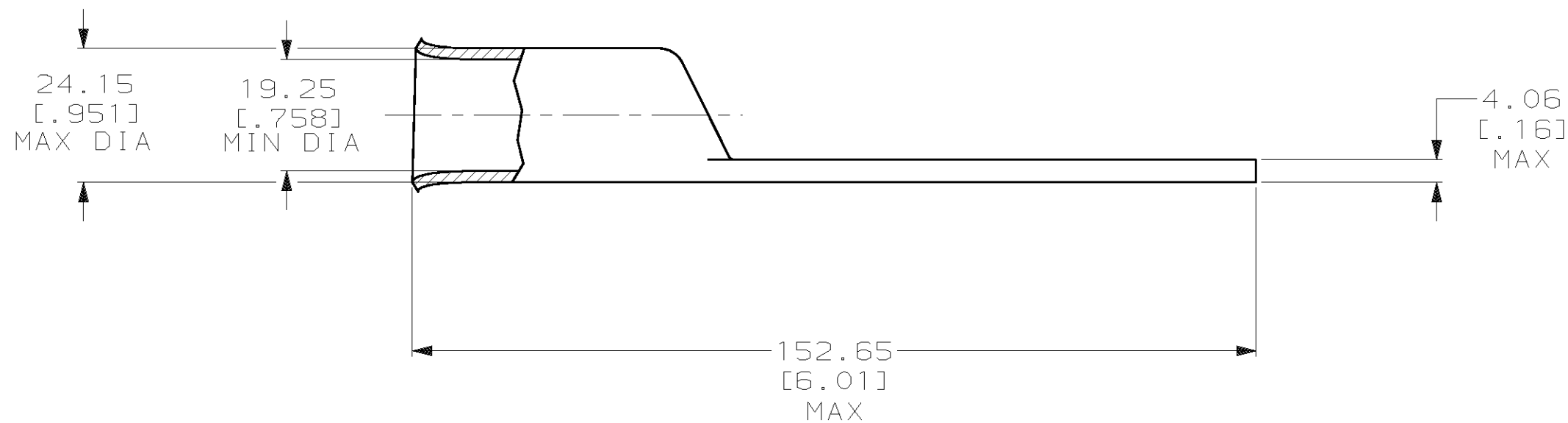


THIS DRAWING IS UNPUBLISHED. RELEASED FOR PUBLICATION ,19 .
 © COPYRIGHT 19 BY AMP INCORPORATED. ALL INTERNATIONAL RIGHTS RESERVED.

LOC		DIST		P		F		ZONE		LTR		REVISIONS		DATE	APPD
G		86								E		REV PER 0G3A-0561-01		08OCT02	JR



1 CIRCULAR MIL RANGE: 275-325 MCM
 2 TIN PL 0.00381 [0.00150] MIN THK PER MIL-T-10727



325821

B

A

325821

PART NO

DO NOT SCALE PRINT. UNLESS SPECIFIED DIMENSIONS IN mm [INCHES] TOLERANCES ON : 2 PLC DEC ± 0.51 [0.020] 3 PLC DEC ± - ANGLES ± -		DR 02/28/90 DK SCHRUM		AMP INCORPORATED Harrisburg, Pa. 17105	
MATERIAL ANNEALED COPPER ASTM B-75		CHK 23JAN95 MS FEHER			
FINISH 2		APPD 23JAN95 WJ VOCKROTH		NAME TERMINAL, AMPPOWER™ WIRE SIZE: 300 MCM	
APPLICATION SPEC -		APPD 23JAN95 TL SHUTTER		DRAWING NO 325821	
WEIGHT .369 LB		PRODUCT SPEC 108-30200		SCALE 1:1	
				SHEET 1 OF 1	



单击下面可查看定价，库存，交付和生命周期等信息

[>>TE Connectivity\(泰科\)](#)