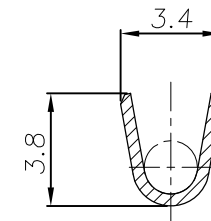
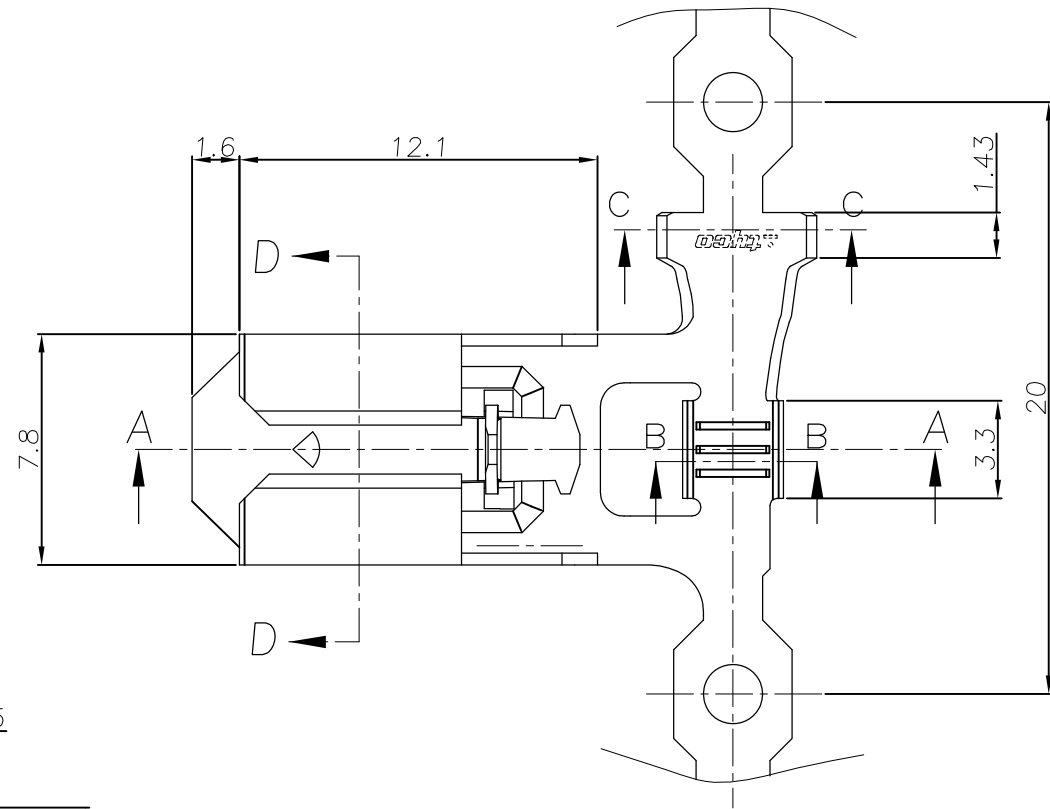


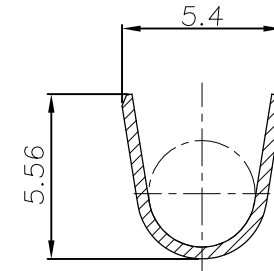
THIS DRAWING IS UNPUBLISHED. RELEASED FOR PUBLICATION

© COPYRIGHT BY TYCO ELECTRONICS CORPORATION. ALL RIGHTS RESERVED.

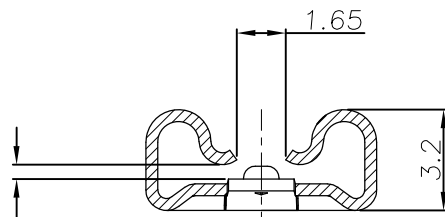
LOC	DIST	REVISIONS					
		P	LTR	DESCRIPTION	DATE	DWN	APVD
DS	-		0	RELEASED (FC00-0108-03)	05.AUG.'03	BH	CS
			01	REVISED (ECR-09-010611)	06.JUN.'09	BH	JK
			02	REVISED (ECR-09-021331)	22OCT.'09	BH	JK



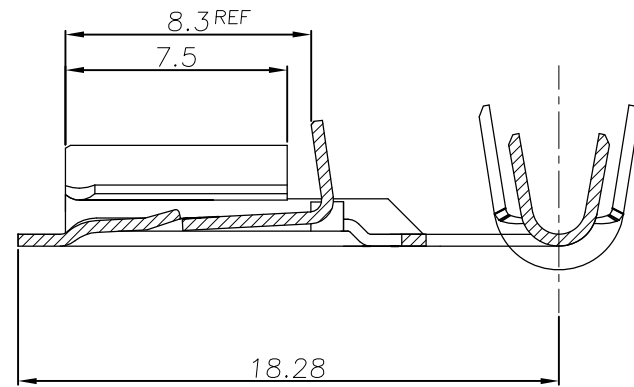
SECT "B-B"



SECT "C-C"



SECT "D-D"



SECT "A-A"

- \* NOTES;  
 1. APPLICABLE HOUSING P/N; 85091-1  
 2. GENERAL TOLERANCES : ±0.25  
 ② 3. APPLICABLE WIRE RANGE : AWG18~AWG14

PRE-TIN	BRASS 0.4 THK	936604-1
FINISH	MATERIAL	PART NUMBER

<small>THIS DRAWING IS A CONTROLLED DOCUMENT FOR TYCO ELECTRONICS CORPORATION IT IS SUBJECT TO CHANGE AND THE CONTROLLING ENGINEERING ORGANIZATION SHOULD BE CONTACTED FOR THE LATEST REVISION.</small>		DWN BH CHO CHK BW KANG APVD JK SONG PRODUCT SPEC - APPLICATION SPEC 114-61019 WEIGHT - CUSTOMER DRAWING		AMP KOREA. Kyungsan, Korea NAME 250 SERIES FLAG POSITIVE LOCK(MARK II) RECEP. SIZE A3 CAGE CODE 00779 DRAWING NO 936604 RESTRICTED TO -	
DIMENSIONS: MM	TOLERANCES UNLESS OTHERWISE SPECIFIED:	SCALE	SHEET	OF	REV
	0 PLC ± 1 PLC ± 2 PLC ± 3 PLC ± 4 PLC ± ANGLES ±	4/1	1	1	02
MATERIAL -	FINISH -				

单击下面可查看定价，库存，交付和生命周期等信息

[>>TE Connectivity\(泰科\)](#)