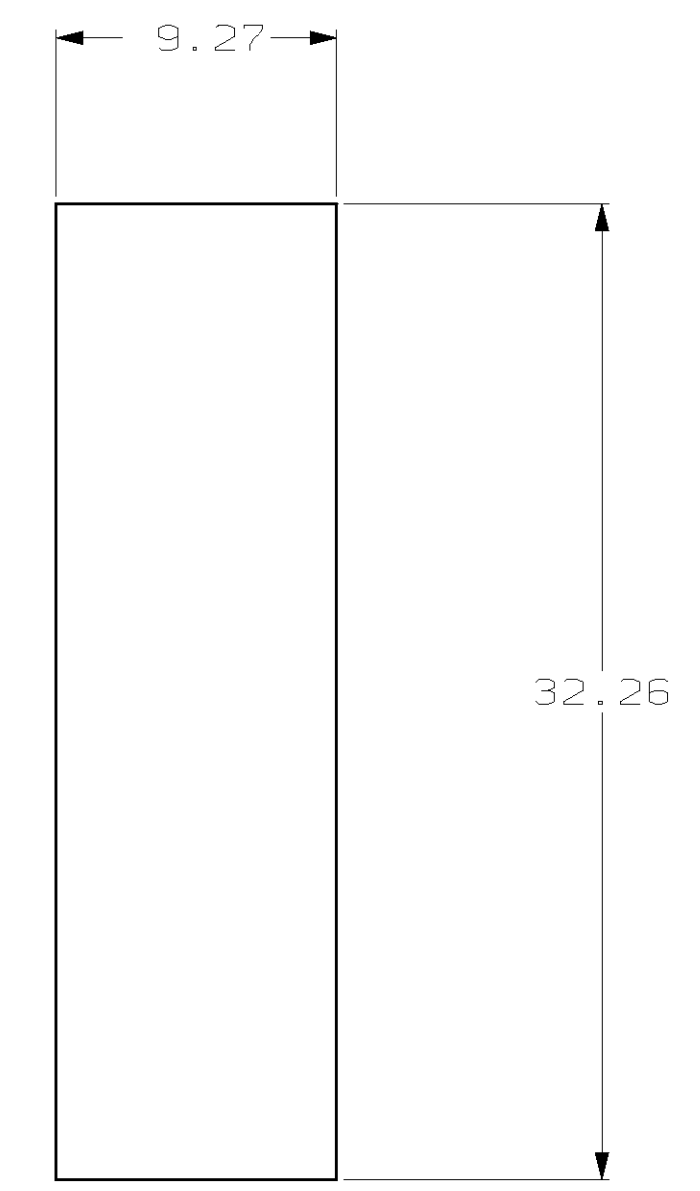
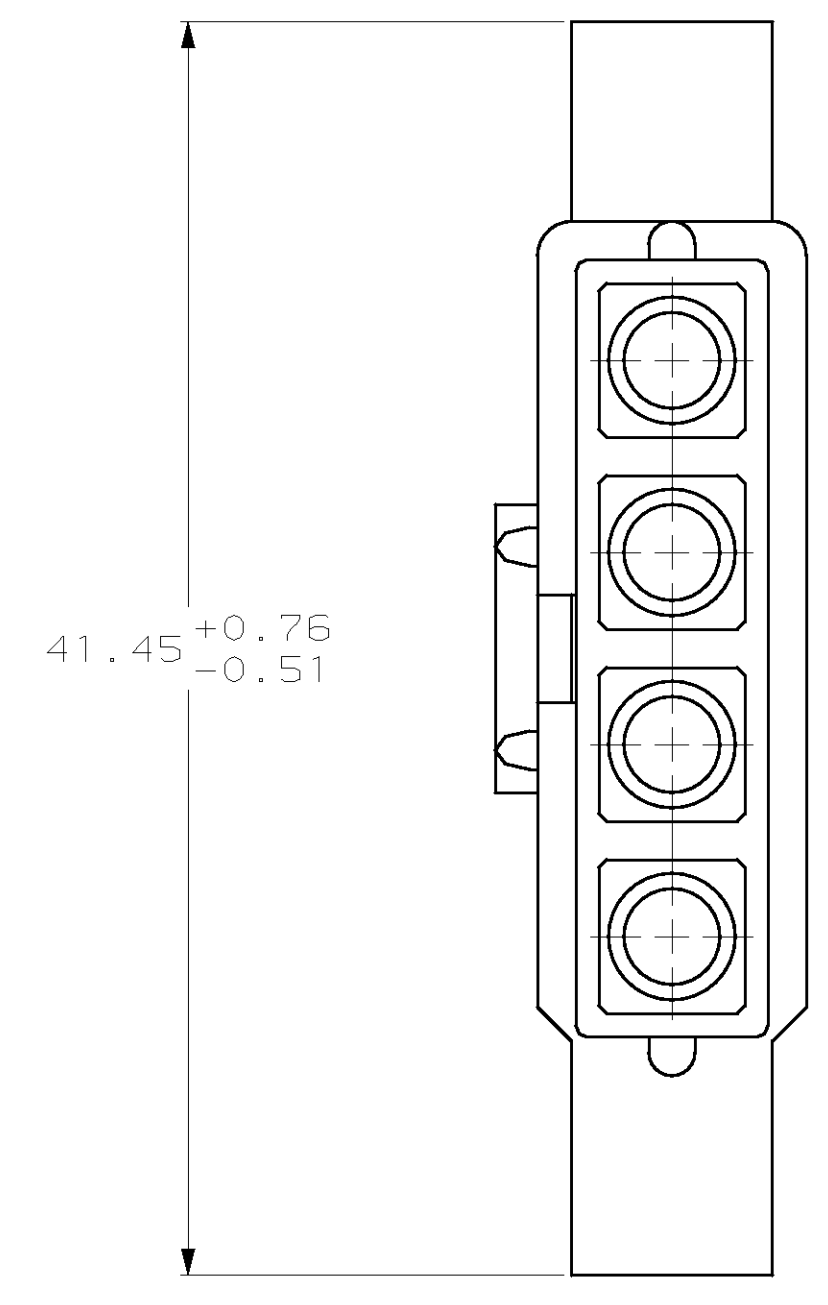
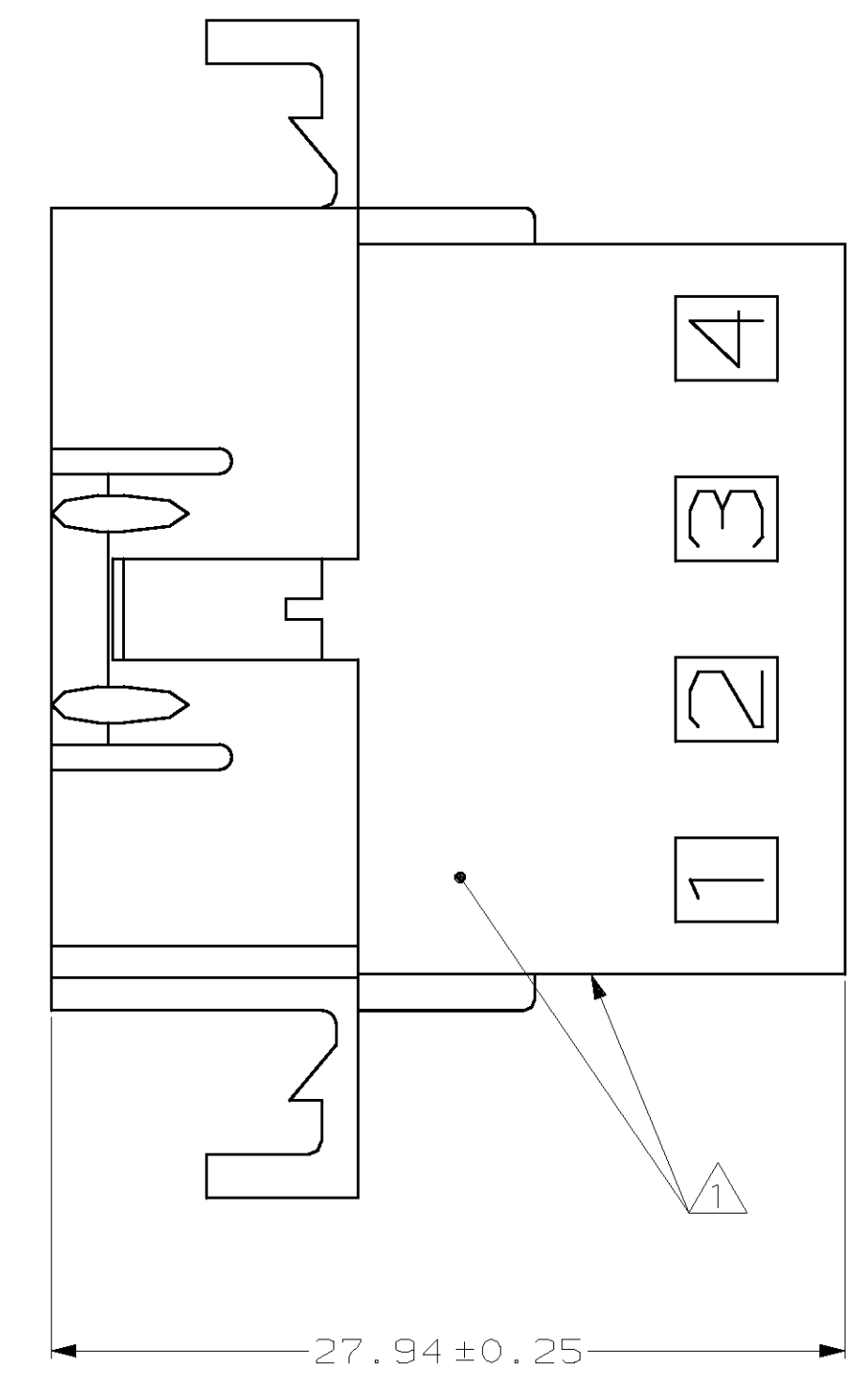
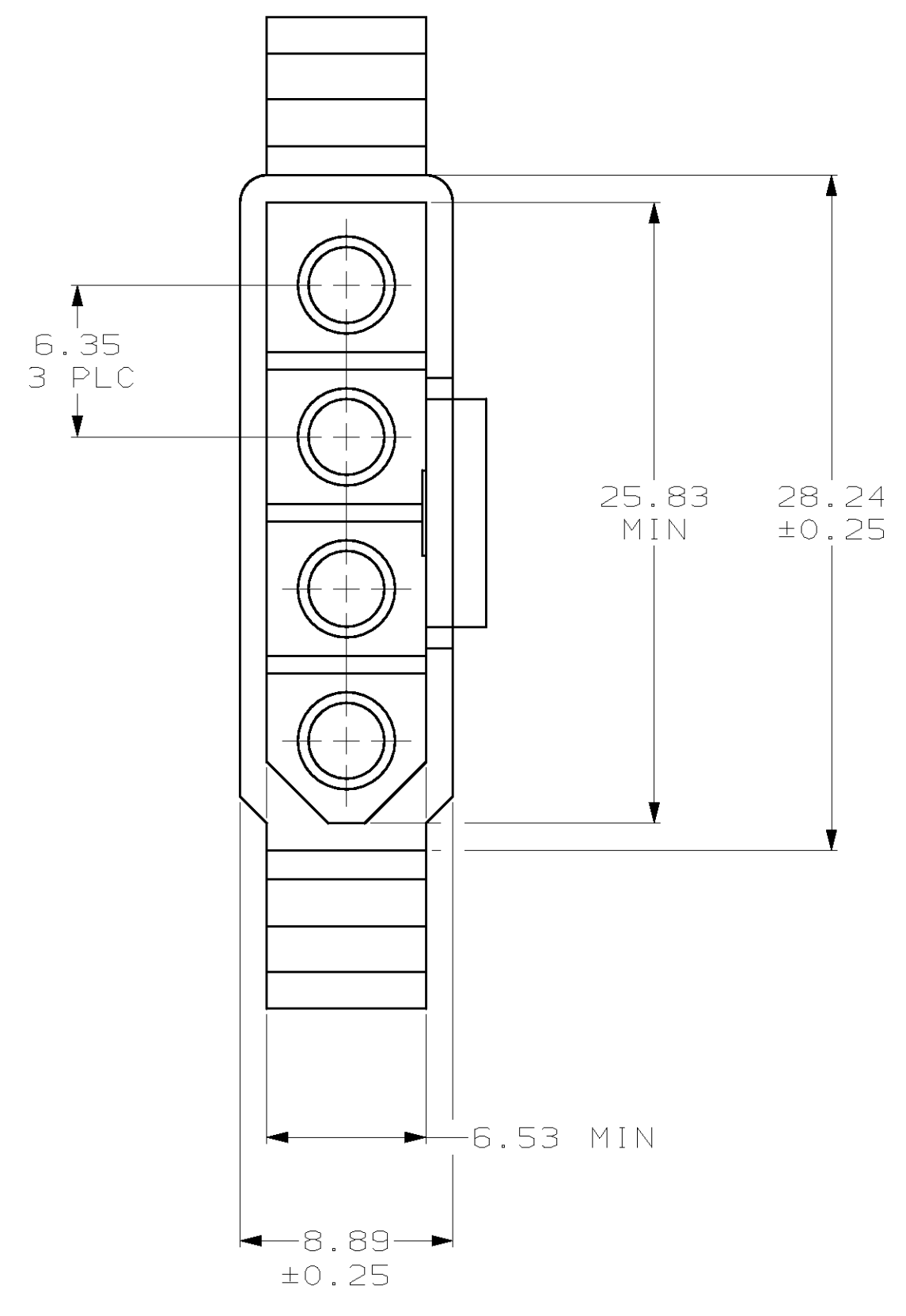
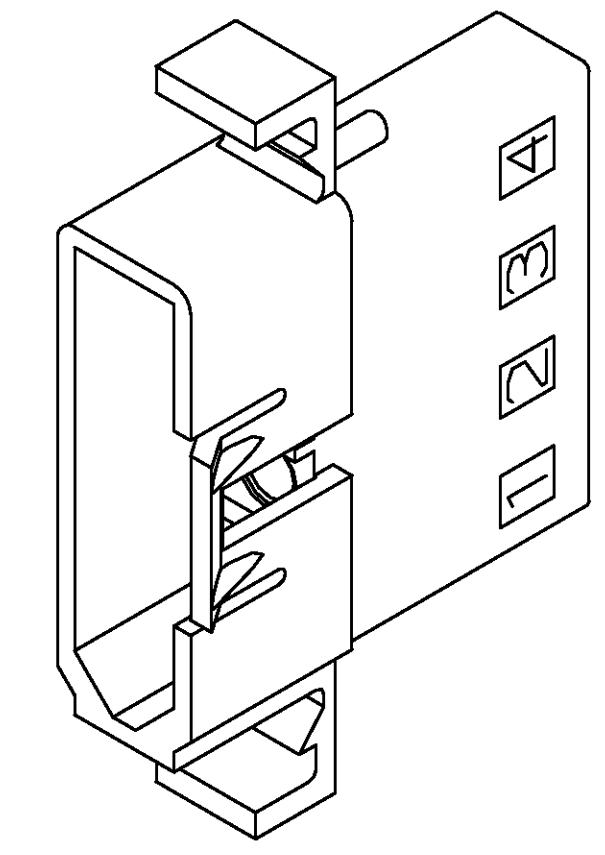


LOC	QTY	REV	DATE	BY	APPV
CM	53	D	10-23-97	KW	RS

△ AMP LOGO AND CAVITY NUMBERS LOCATED ON EITHER SURFACE, OPPOSITE SIDE OPTIONAL.



RECOMMENDED CUT OUT FOR 1.58 MAX THICK PANEL



770330-1  
PART NUMBER

MM	IN	MM	IN
6.53	.257	41.45	1.632
6.35	.250	32.26	1.270
1.58	.062	28.24	1.112
0.76	.030	27.94	1.100
0.51	.020	25.83	1.017
0.25	.010	9.27	.365
0.13	.005	8.89	.350
MM	IN	MM	IN

CONVERSION TABLE

**METRIC**

THIS DRAWING IS A CONTROLLED DOCUMENT.

DIMENSIONS:	TOLERANCES UNLESS OTHERWISE SPECIFIED:	OWN: K. WHITAKER 10-23-97	AMP Incorporated Harrisburg, PA 17105-3608
mm	0.13	CHK: R. SWING 10-23-97	
	0.25	APPV: J. COBLE 10-23-97	
	0.51	PRODUCT SPEC:	
	0.76	APPLICATION SPEC:	
	1.58	HEIGHT:	
MATERIAL: NYLON, JL 94V-2, NATURAL	FINISH: -	SCALE: 4:1	SHEET 1 OF 1
CUSTOMER DRAWING		DATE: 10-23-97	REV: D

PLUG, 4 CIRCUIT, .250 PIN AND SOCKET

AMP 770330

单击下面可查看定价，库存，交付和生命周期等信息

[>>TE Connectivity\(泰科\)](#)