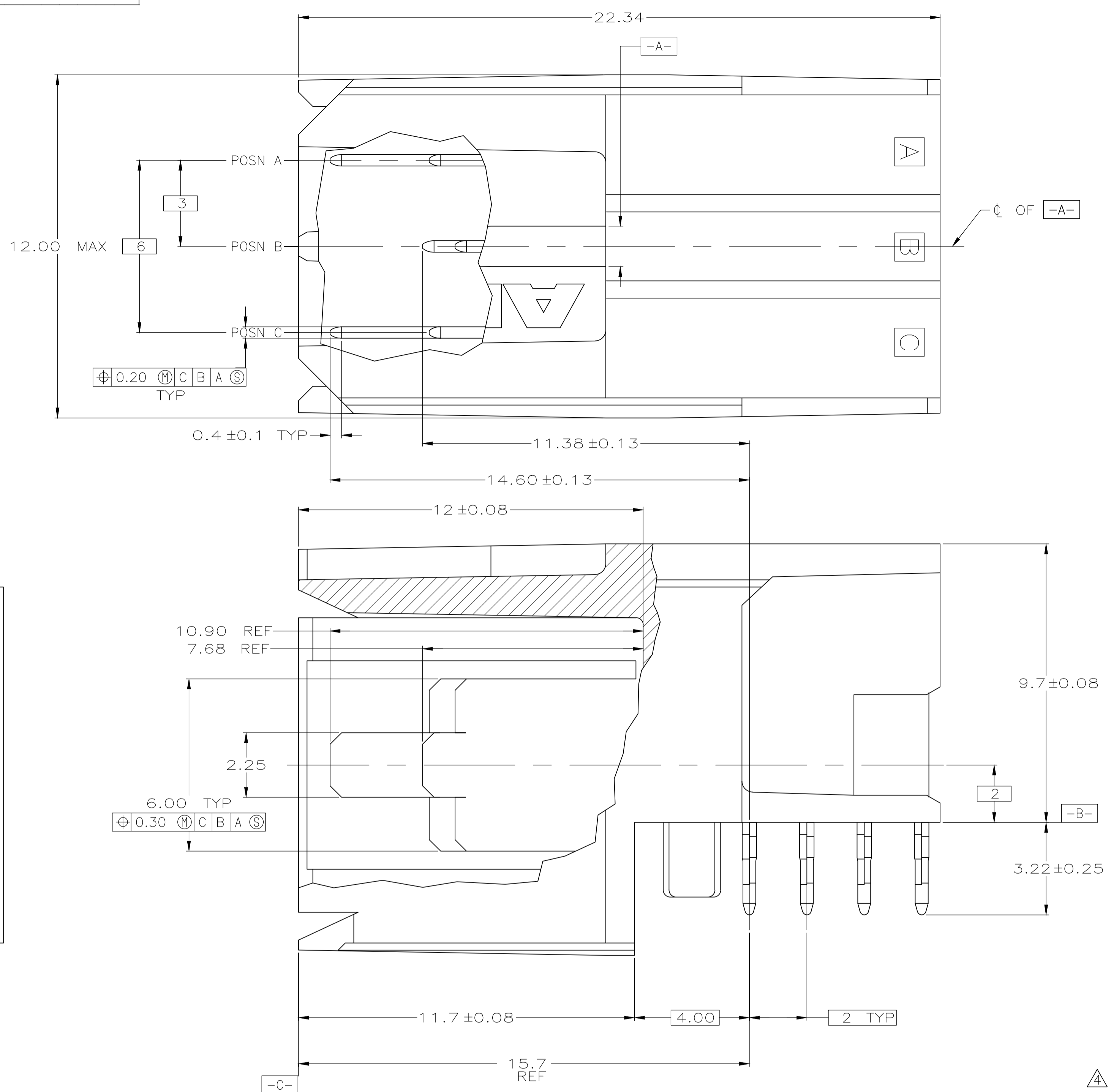
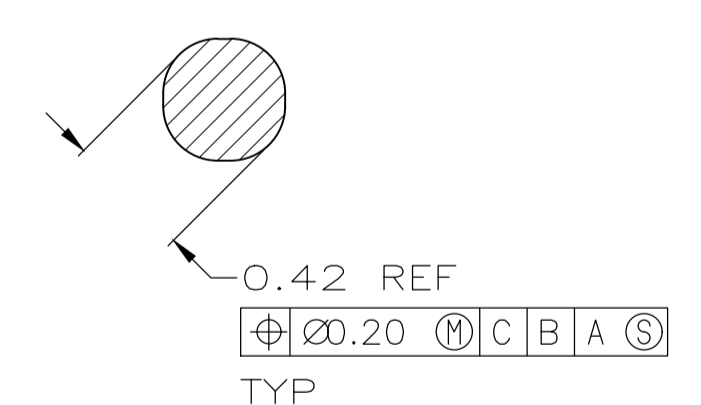
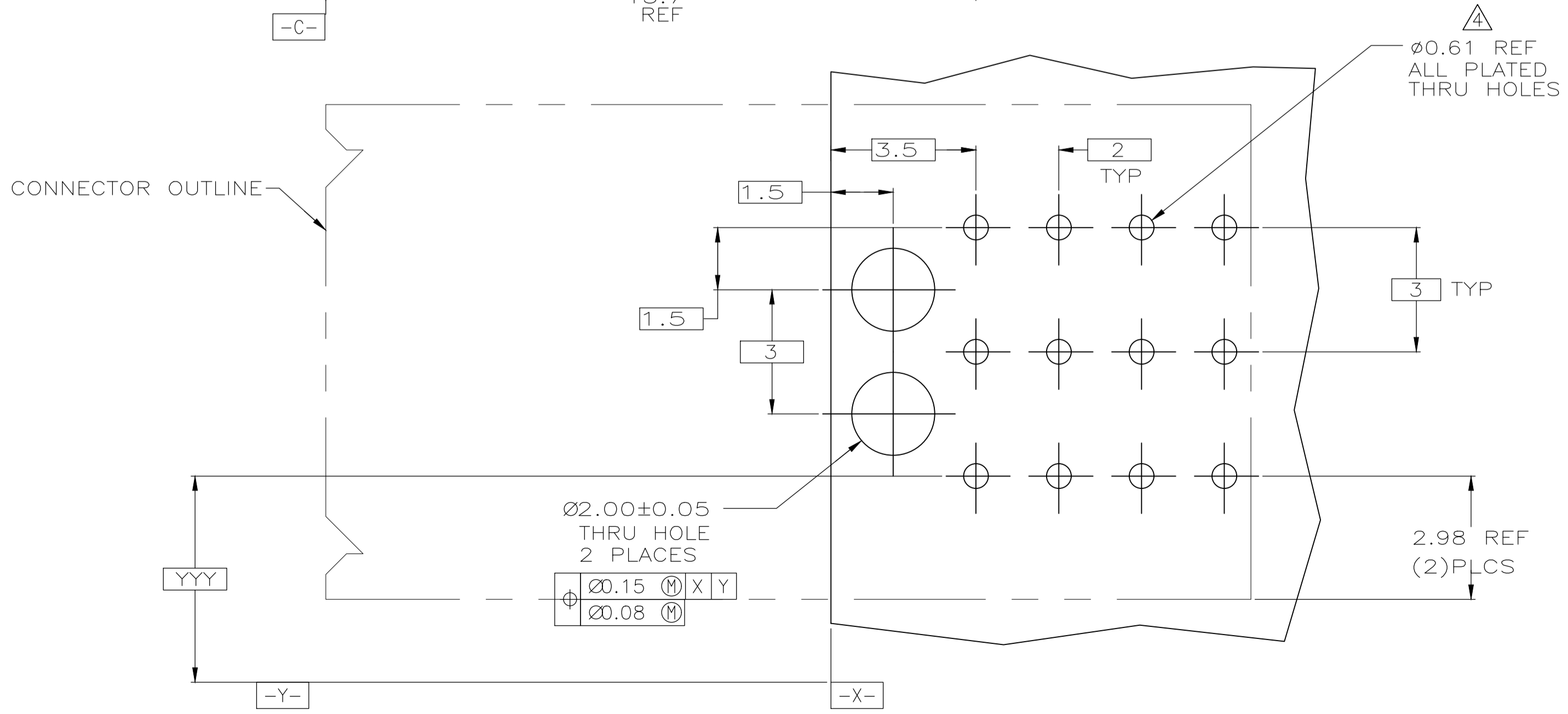
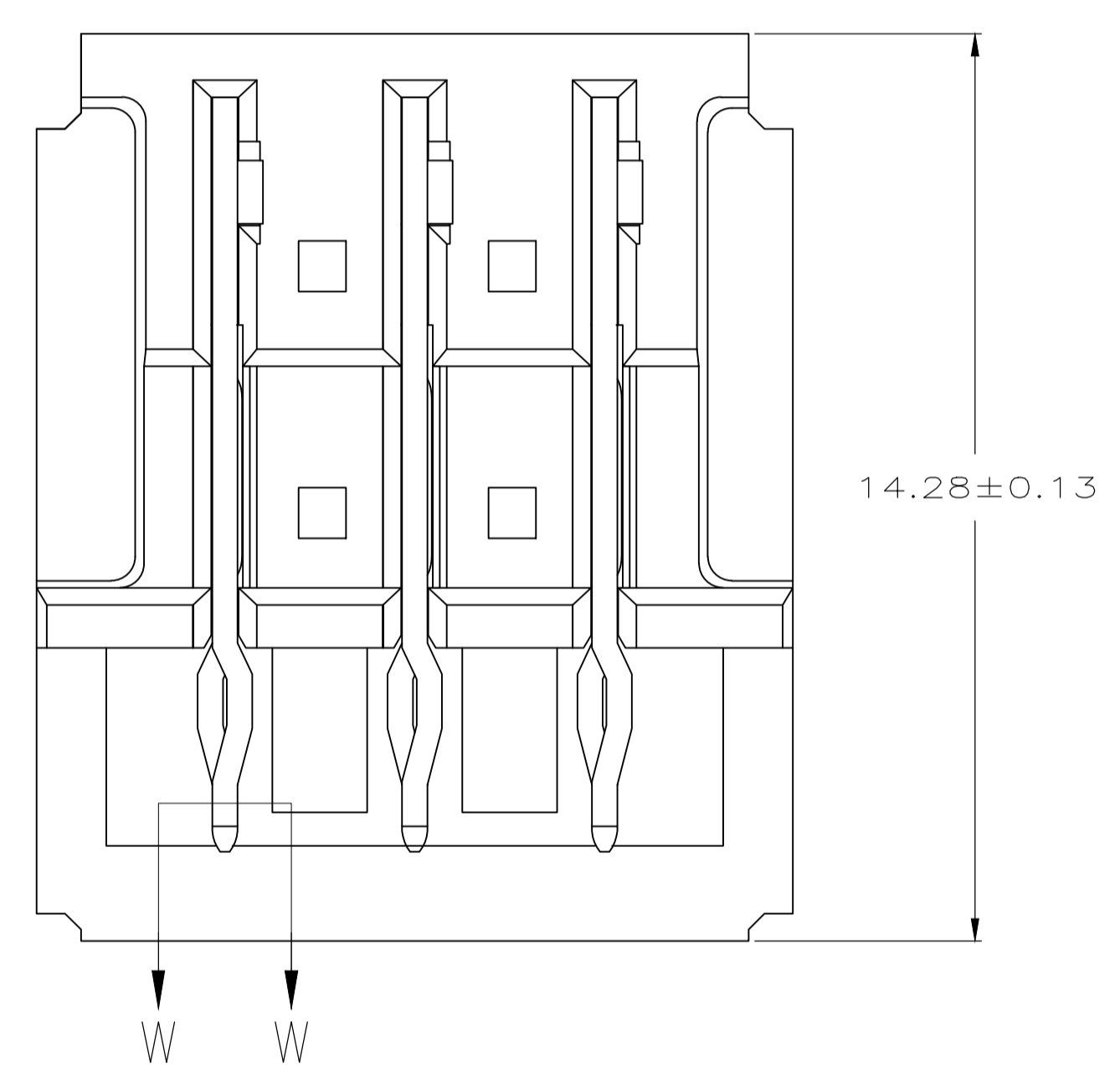
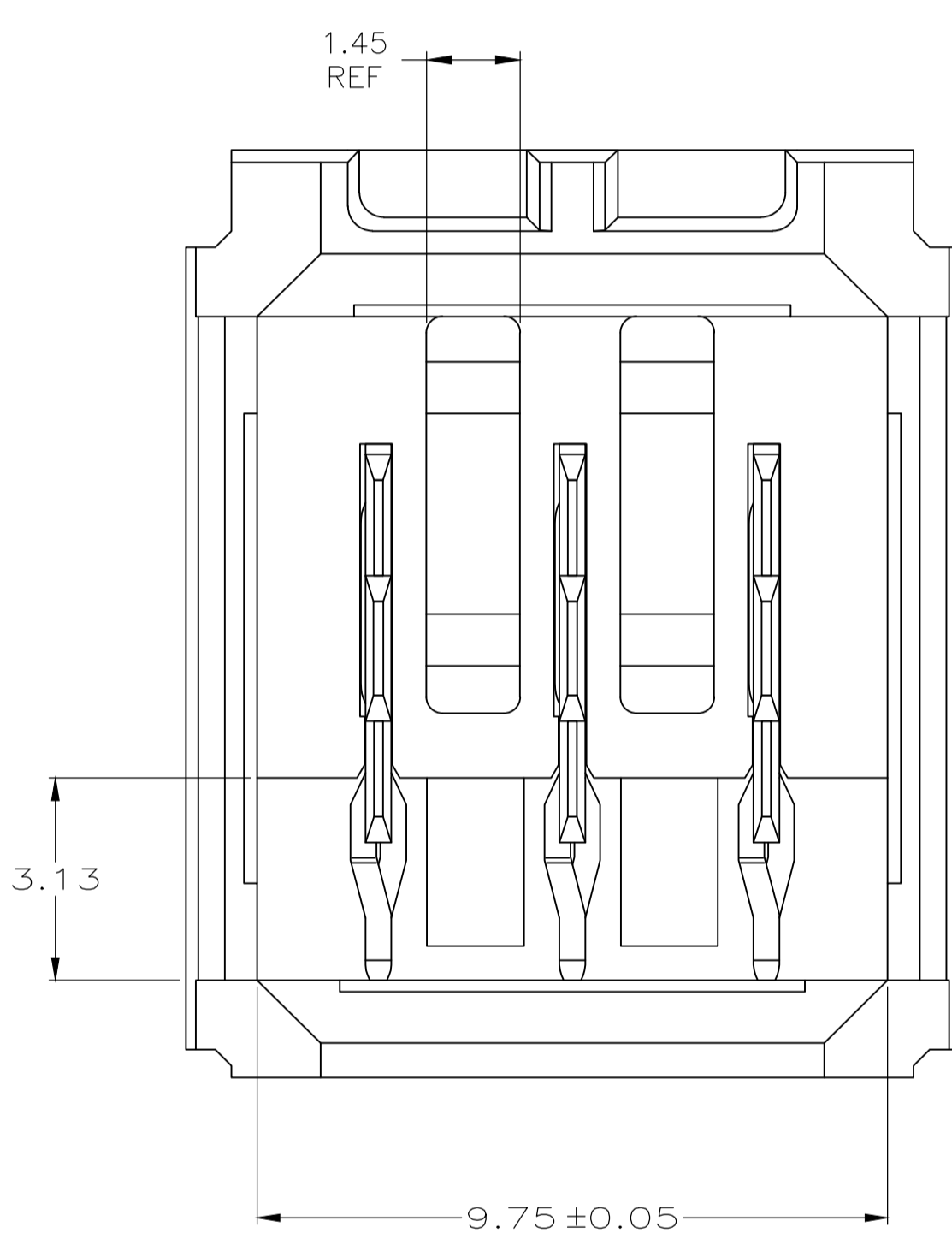


LOC		DIST		REVISIONS				
AD	00	REV	PER	ECO	DESCRIPTION	DATE	DWN	APVD
C1		REV	PER	ECO-20-004668		02JUN2020	ML	SZ



- ⚠ MATERIAL: HOUSING: POLYESTER. COLOR: GRAY. UL 94V-0. CONTACT: PHOSPHOR BRONZE.
- ⚠ FINISH: IN ACCORDANCE WITH PRODUCT SPECIFICATION 108-1651, GOLD PLATING OR EQUIVALENT PLATING ON PRODUCT CONTACT MATING AREA, AND MATTE TIN PLATING ON COMPLIANT PIN AREA, ALL OVER MATTE NICKEL UNDERPLATED. DETAIL PLEASE REFER TO PRODUCT SPECIFICATION 108-1651.
- ⚠ FINISH: CONTACT LUBRICATION WITH BELLCORE APPROVED LUBRICANT. TECHNICAL REFERENCE: TR-NWT-001217 ISSUE 1, SEPT 1992.
- ⚠ REFERENCE APPLICATION SPEC 114-1103 FOR RECOMMENDED PLATED THRU HOLE DIAMETER AND PLATING THICKNESS.
- 5 CURRENT RATING 10A/CONTACT PER PRODUCT SPEC 108-1651.



SECTION W-W
SCALE 40:1

5223972-1
PART NUMBER

THIS DRAWING IS A CONTROLLED DOCUMENT.		DIN B CARBO 130EC04	Tyco Electronics Corporation Harrisburg, PA 17105-3608	
DIMENSIONS: μ		0.130EC04	NAME: R. PATTERSON	
TOLERANCES UNLESS OTHERWISE SPECIFIED:		130EC04	PRODUCT SPEC: 108-1651	
0. PLC	± -		APPLICATION SPEC: 114-1103	
1. PLC	± -		SIZE: A1	CAGE CODE: 00779
2. PLC	± 0.13		DRAWING NO: 5223972	
3. PLC	± -		RESTRICTED TO: -	
4. PLC	± -		CUSTOMER DRAWING	
ANGLES	± -		SCALE: 10:1	SHEET: 1 of 1
			REV: C1	

单击下面可查看定价，库存，交付和生命周期等信息

[>>TE Connectivity\(泰科\)](#)