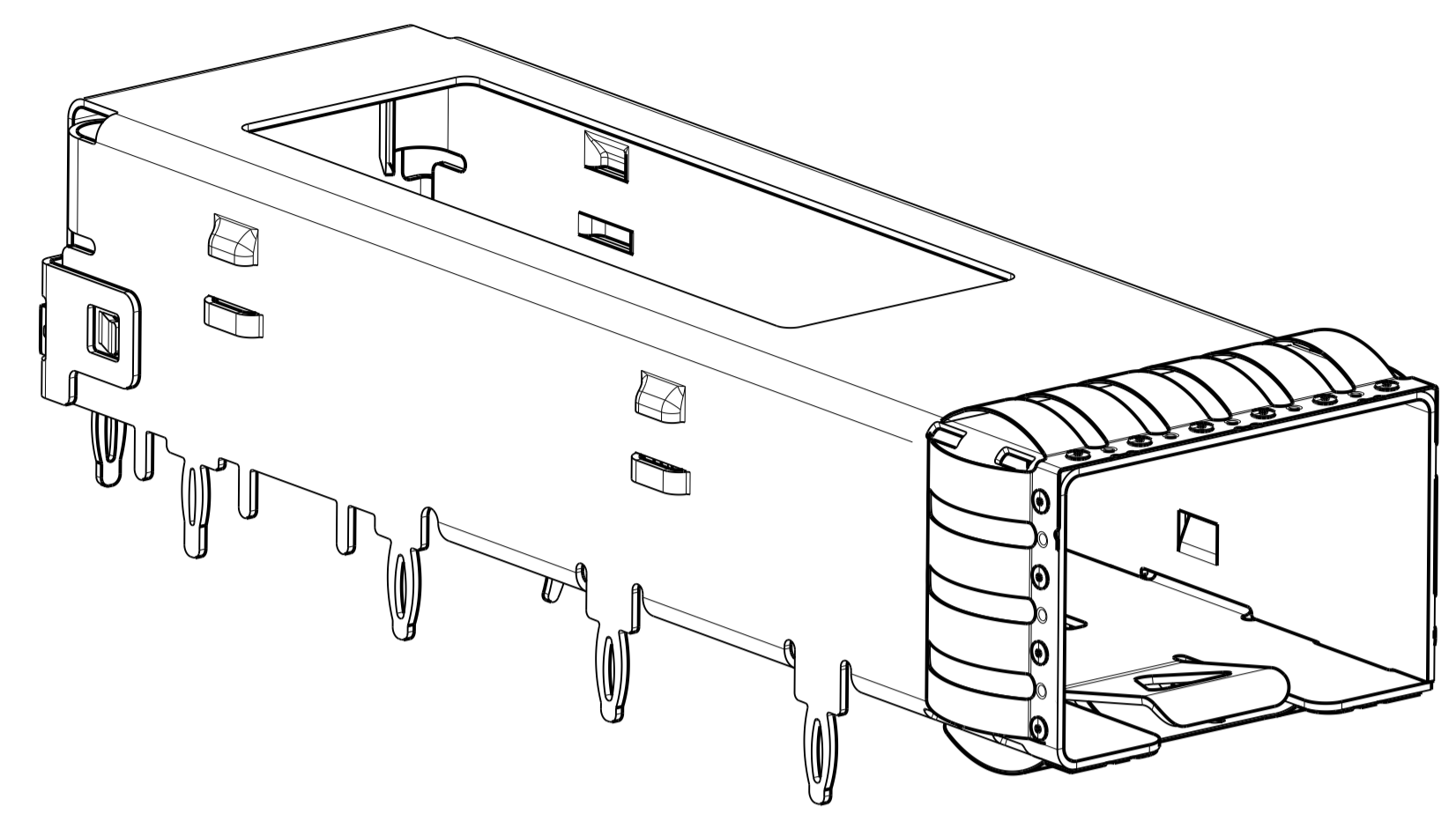
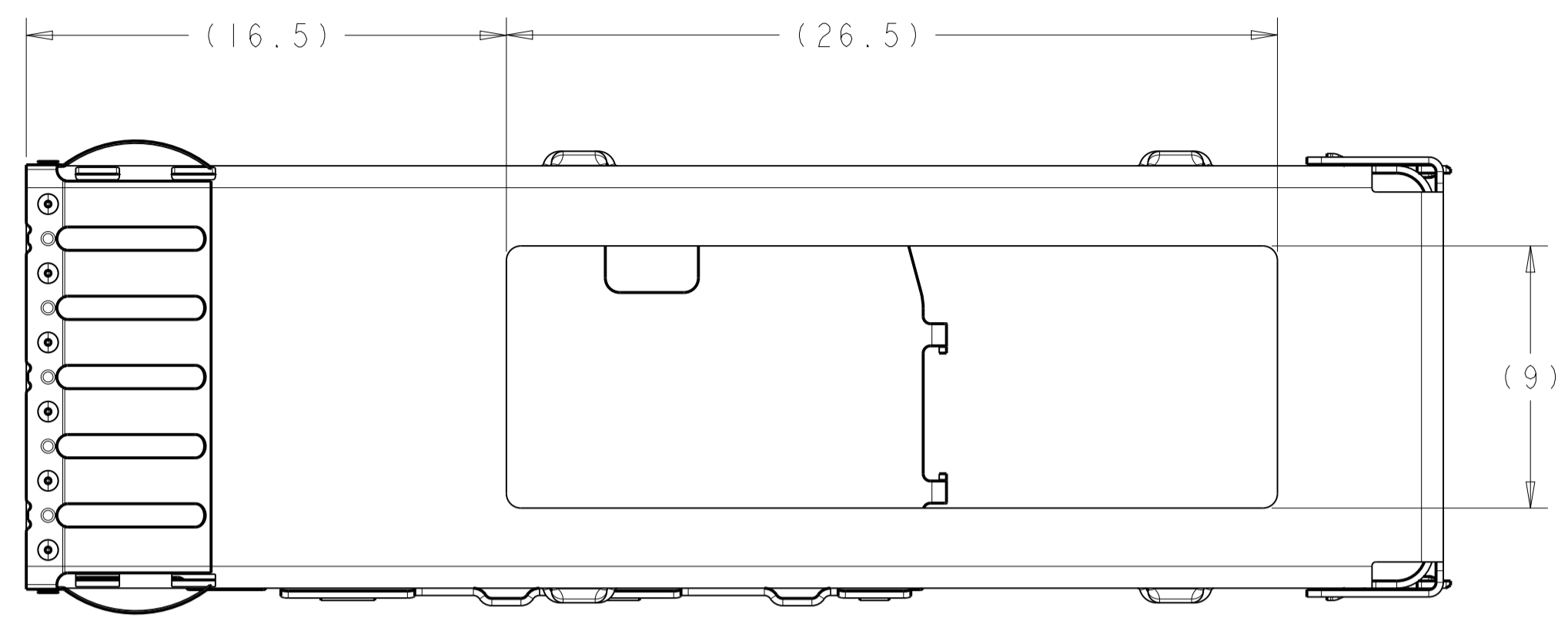


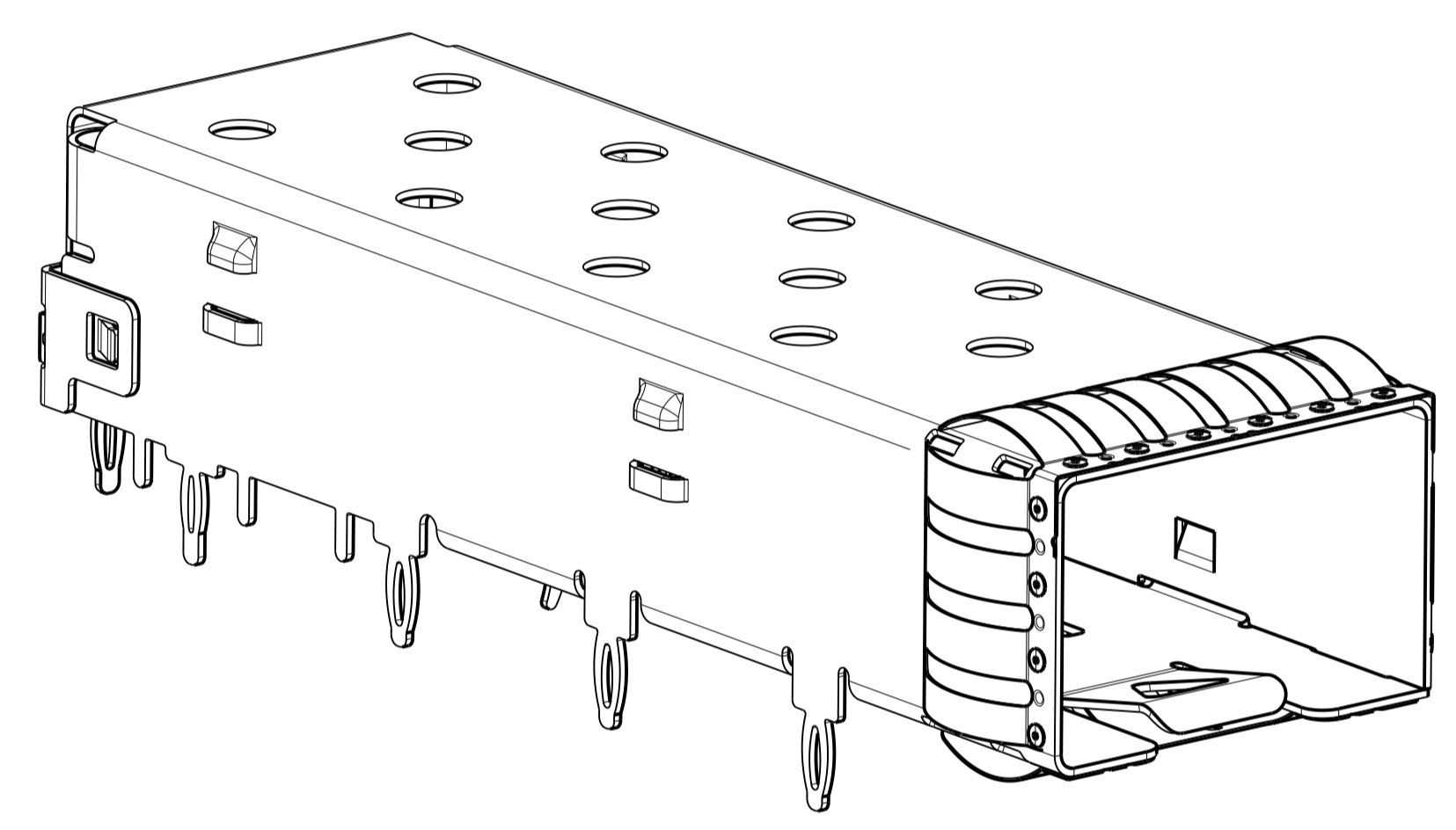
LOC		DIST		REVISONS			
GP	00	P	LTN	DESCRIPTION	DATE	DWN	APVD
		B		REVISED PER ECO-21-000648	19JAN2021	JY	SZ



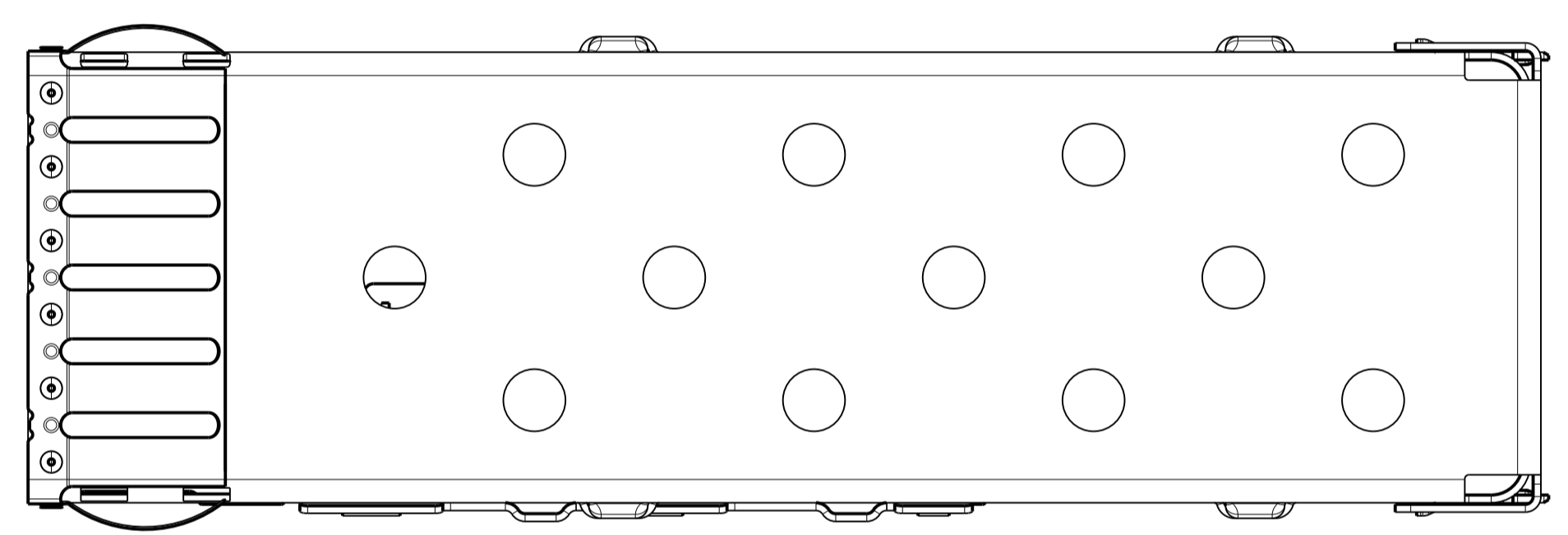
2317434-2 AS SHOWN



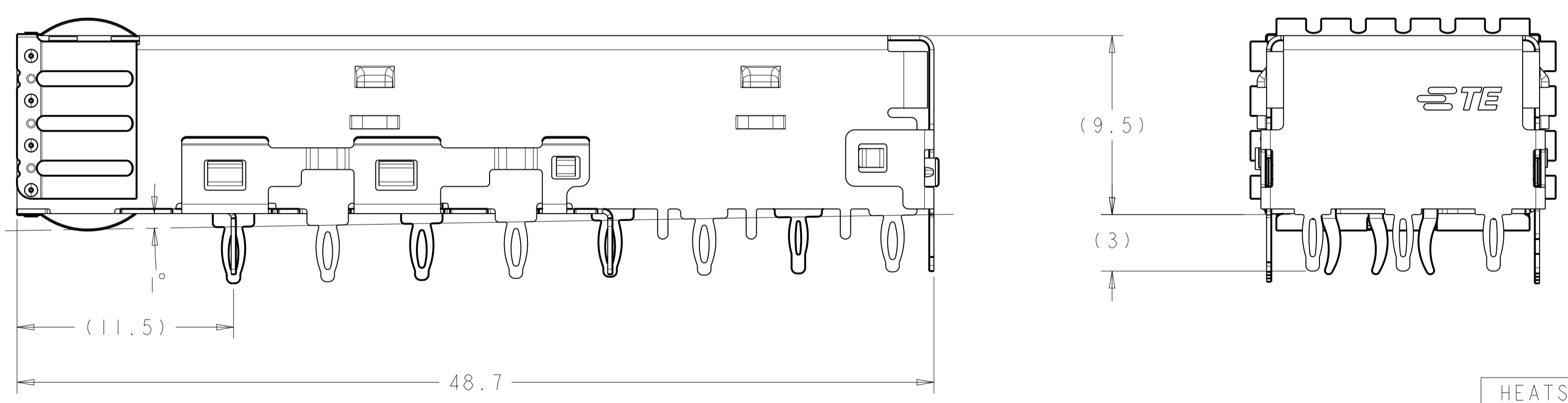
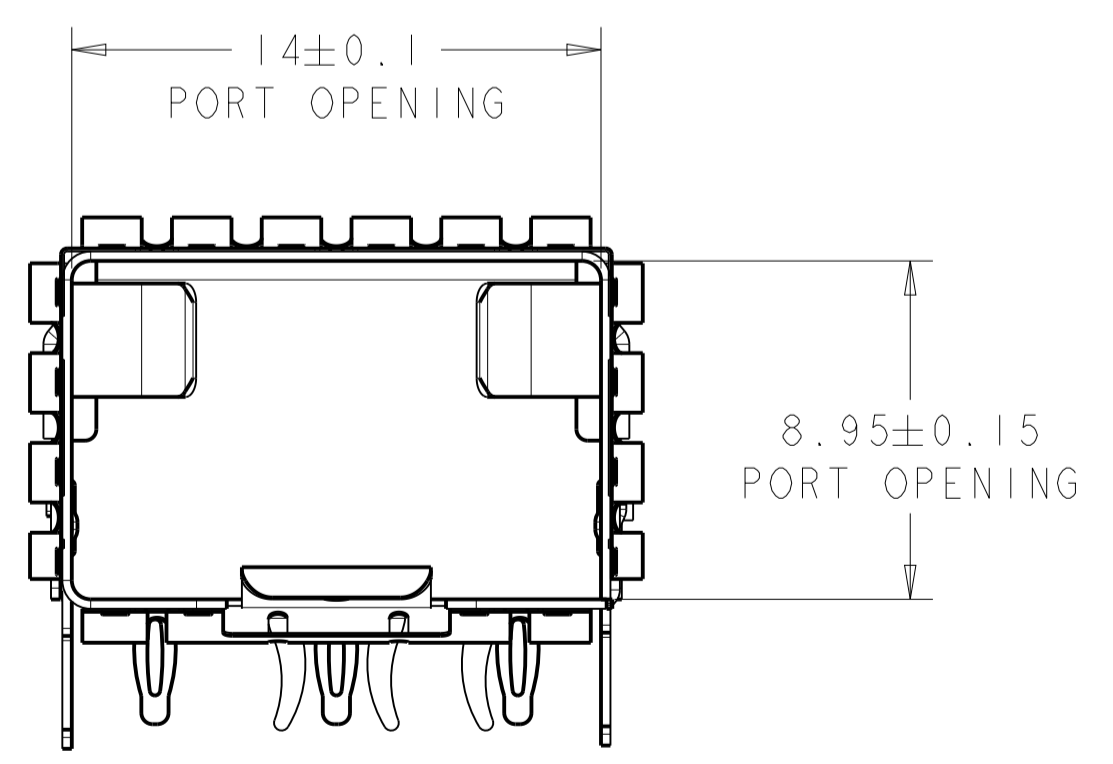
2317434-2 TOP VIEW
 SAME AS -1 EXCEPT AS SHOWN



2317434-1 AS SHOWN



2317434-1 TOP VIEW

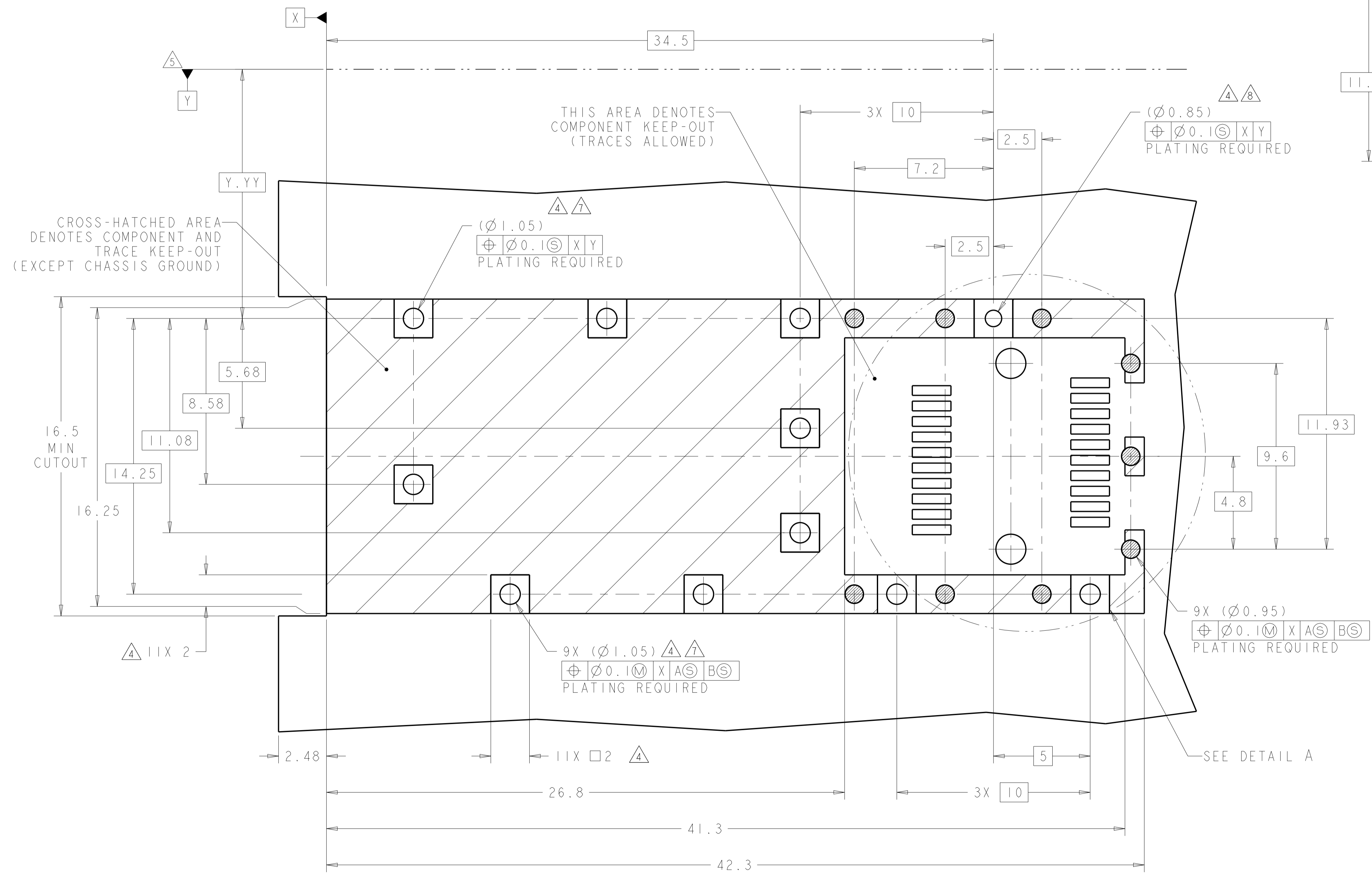
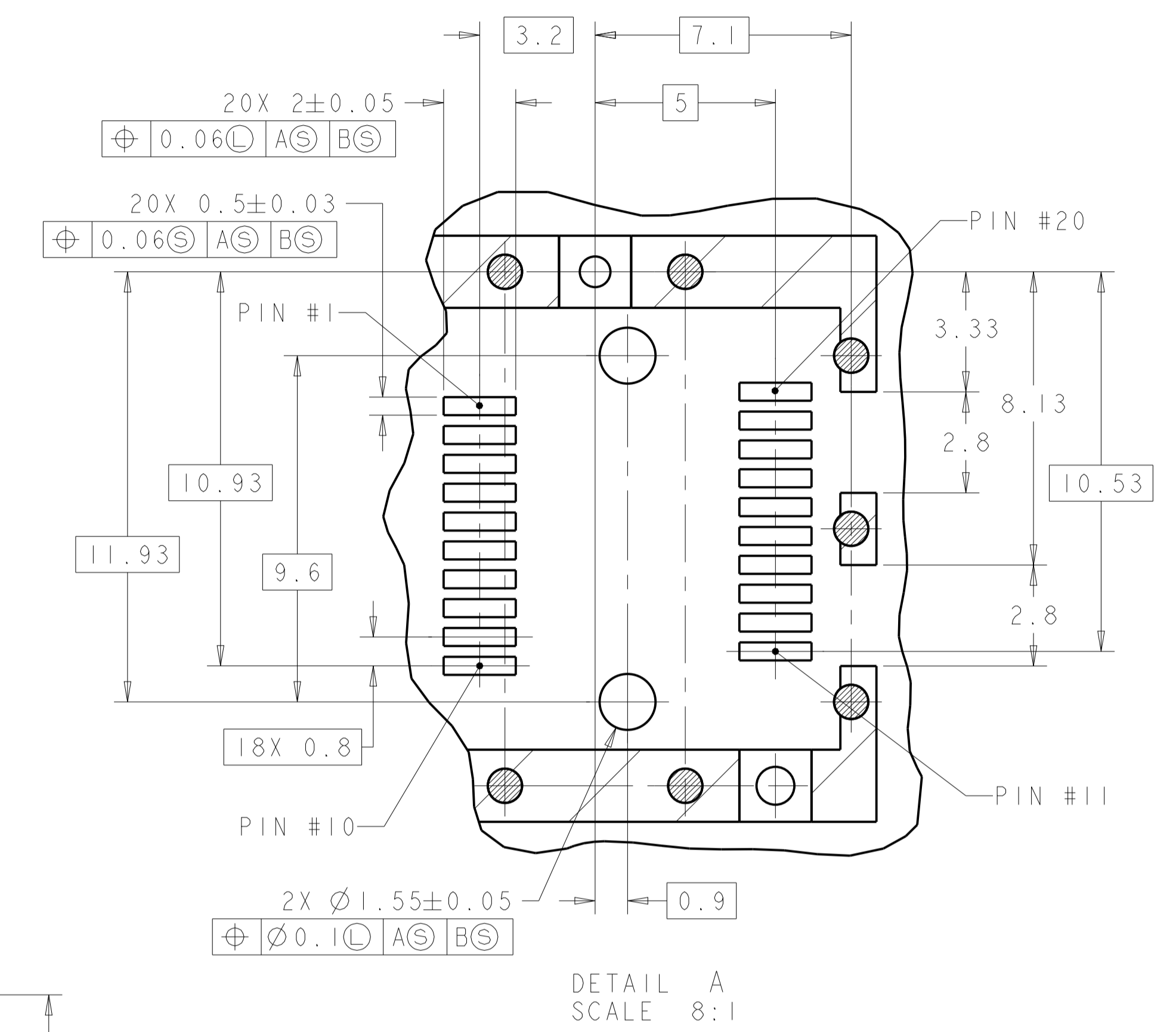
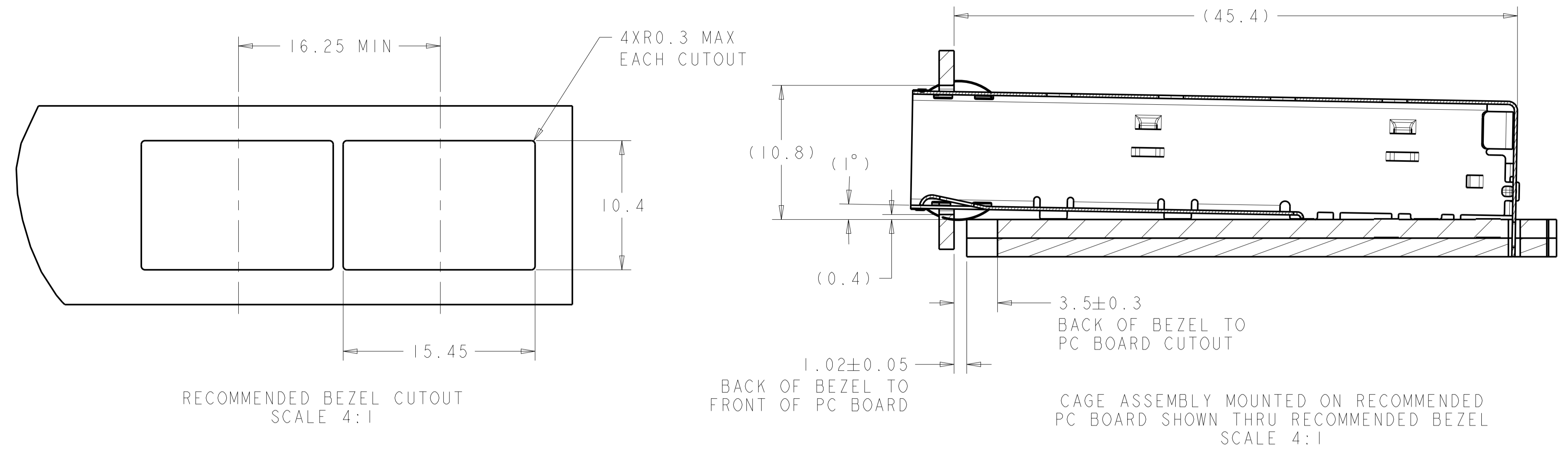


- 1. MATERIAL:
 CAGE ASSEMBLY - 0.25mm THICK NICKEL-SILVER ALLOY.
 EMI SPRINGS - COPPER ALLOY.
- 2. FINISH:
 EMI SPRINGS - 0.8um MIN NICKEL,
 NON PLATED EDGES PERMISSIBLE.
- 3. MATES WITH SFP MSA COMPLIANT TRANSCEIVERS.
- 4. PADS AND VIAS CHASSIS GROUND.
- 5. DATUMS AND BASIC DIMENSIONS ESTABLISHED BY CUSTOMER.
- 6. MINIMUM PC BOARD THICKNESS:
 SINGLE SIDED = 1.50mm
- 7. REFERENCE APPLICATION SPEC. 114-13120, HOLE A,
 FOR RECOMMENDED DRILL HOLE DIAMETER AND PLATING THICKNESS.
- 8. REFERENCE APPLICATION SPEC. 114-13120, HOLE C,
 FOR RECOMMENDED DRILL HOLE DIAMETER AND PLATING THICKNESS.
- 9. NOTE DELETED

HEATSINK OPENING	2317434-2
EMI HOLES	2317434-1
DESCRIPTION	PART NUMBER

THIS DRAWING IS A CONTROLLED DOCUMENT.		OWN: PETER PAN TOMAR2017	TE Connectivity	
DIMENSIONS: mm		CHK: SEAN HAN TOMAR2017		
TOLERANCES UNLESS OTHERWISE SPECIFIED:		APVD: SEAN HAN TOMAR2017	NAME: SFP+ IXI CAGE ASSEMBLY, PCI, PRESS-FIT EMI SPRING FINGERS	
0 PLC ±0.1	1 PLC ±0.1	PRODUCT SPEC: 108-2364	SIZE: A1	
2 PLC ±0.1	3 PLC ±0.05	APPLICATION SPEC: 114-13120	CAGE CODE: 00779	
4 PLC ±0.05	ANGLES ±0.05	WEIGHT: -	DRAWING NO: 2317434	
MATERIAL: -	FINISH: -	RESTRICTED CUSTOMER	SCALE: 5:1 SHEET 1 OF 2 REV B	

LOC		DIST		REVISIONS			
P	LTN	DESCRIPTION	DATE	DWN	APVD		
-	-	SEE SHEET 1	-	-	-	-	-



RECOMMENDED PCB LAYOUT
SCALE 8:1

THIS DRAWING IS A CONTROLLED DOCUMENT.		DWN: PETER PAN TOMAR2017	TE Connectivity
DIMENSIONS: mm		CHK: SEAN HAN TOMAR2017	
TOLERANCES UNLESS OTHERWISE SPECIFIED:		APVD: SEAN HAN TOMAR2017	NAME: SFP+ 1X1 CAGE ASSEMBLY, PCI, PRESS-FIT EMI SPRING FINGERS
0 PLC ±0.1	1 PLC ±0.1	PRODUCT SPEC: 108-2364	SIZE: A1
2 PLC ±0.1	3 PLC ±0.05	APPLICATION SPEC: 114-13120	CAGE CODE: 00779
4 PLC ±0.05	ANGLES ±0.05	WEIGHT: -	DRAWING NO: 2317434
MATERIAL: -	FINISH: -	CUSTOMER DRAWING	SCALE: 3:1
		SHEET 2 OF 2	

单击下面可查看定价，库存，交付和生命周期等信息

[>>TE Connectivity\(泰科\)](#)