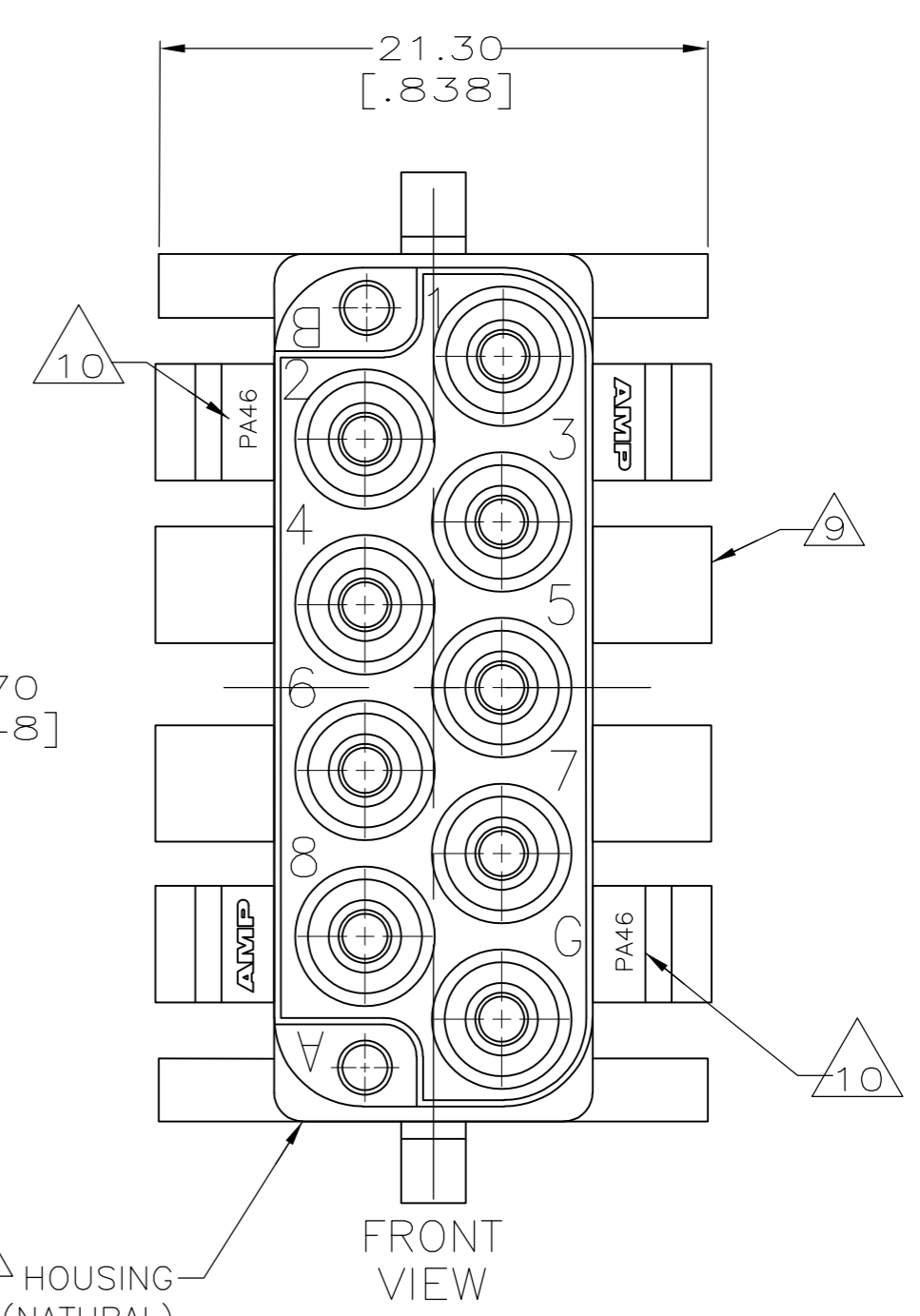
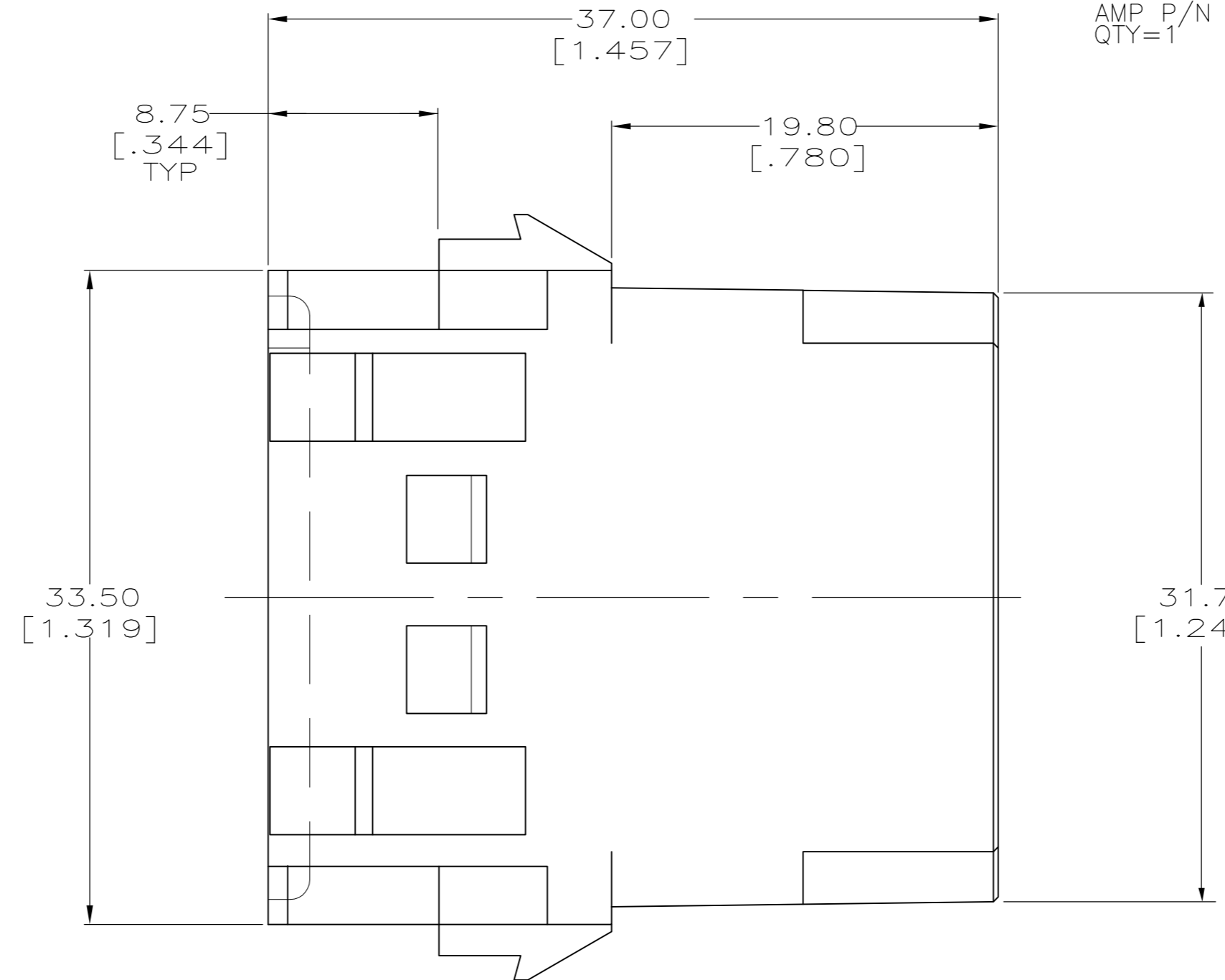
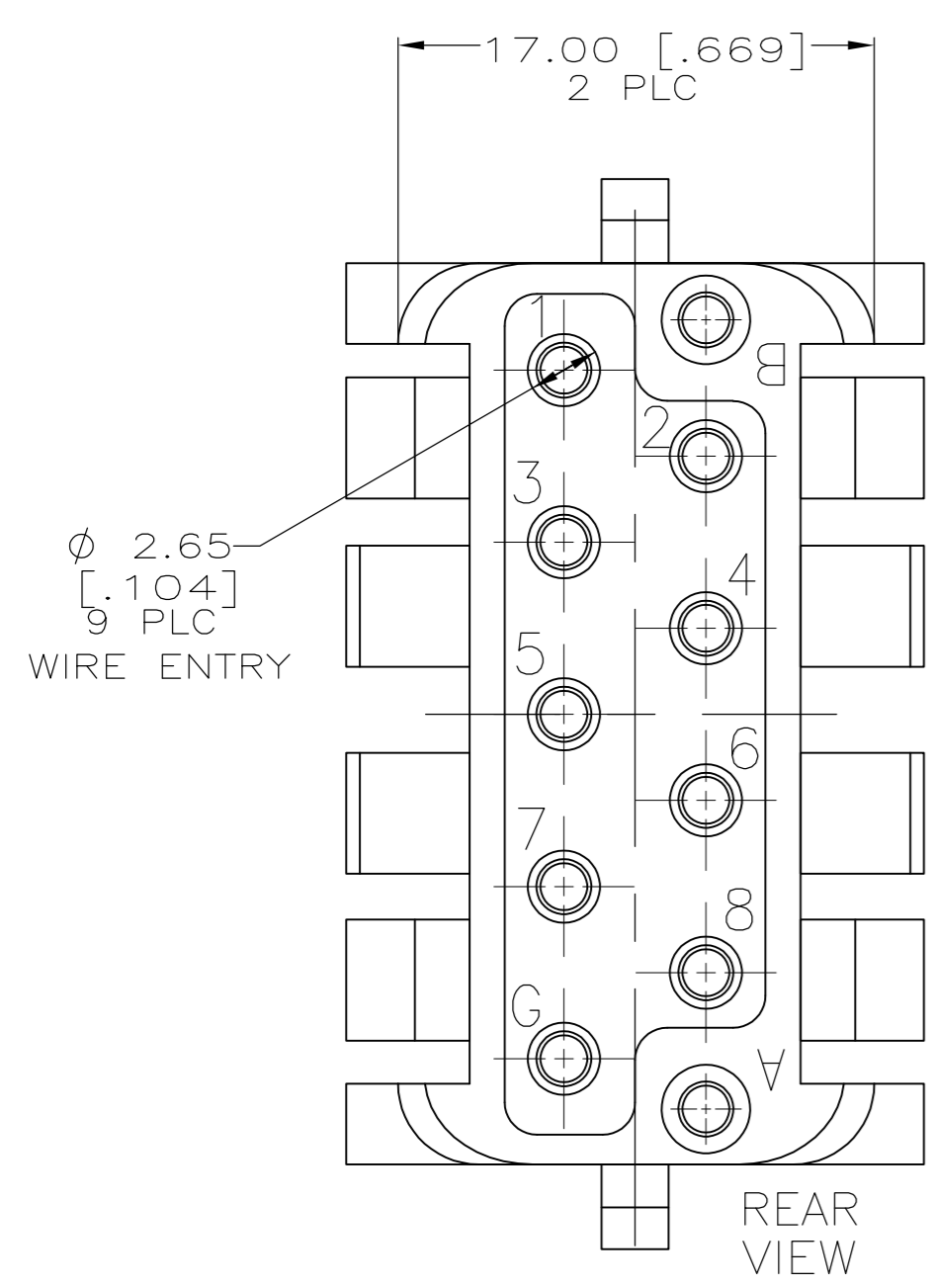
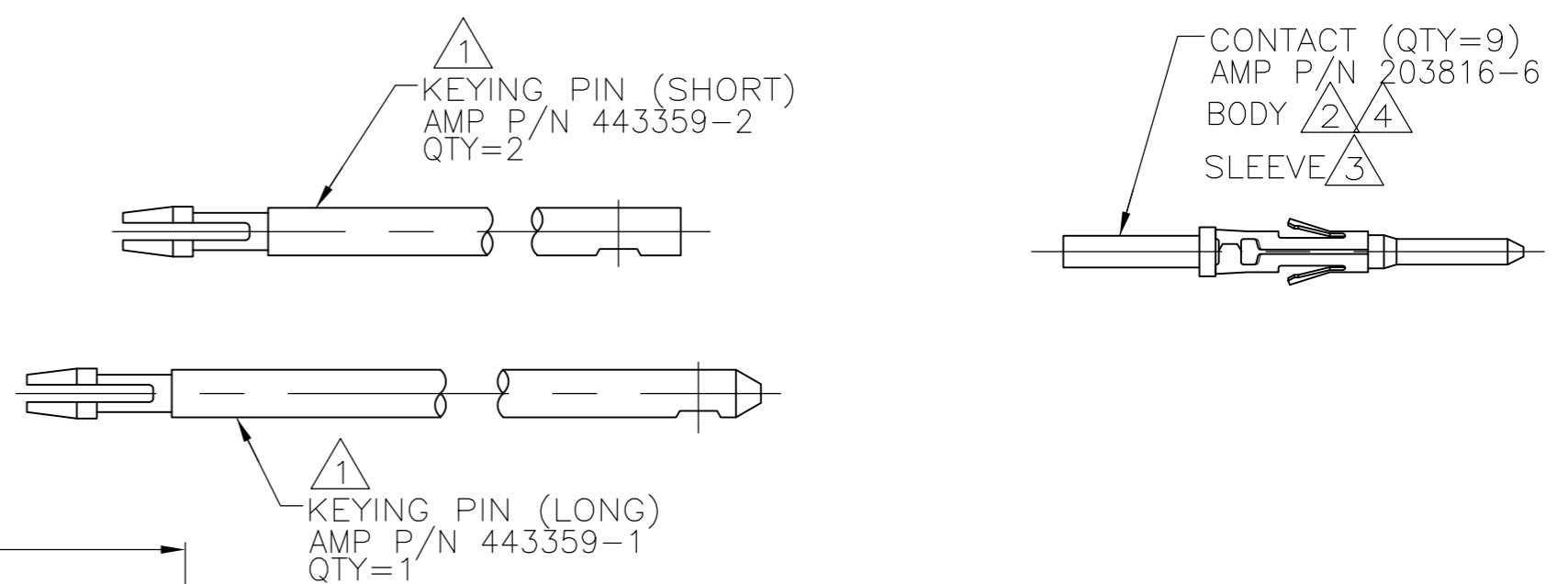
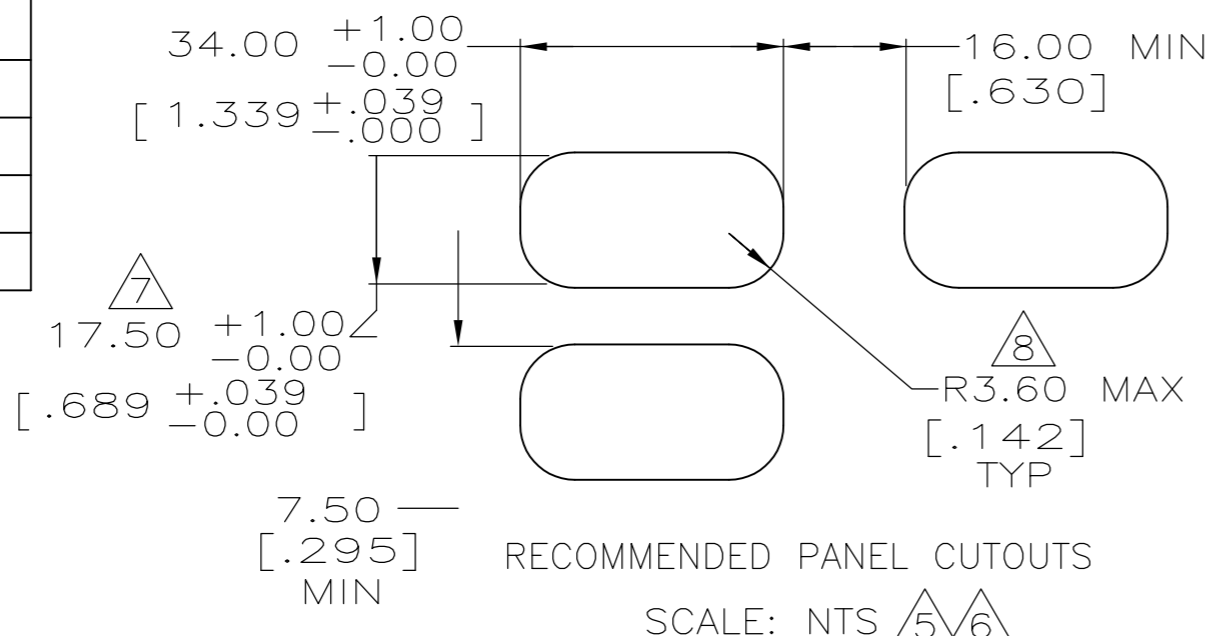


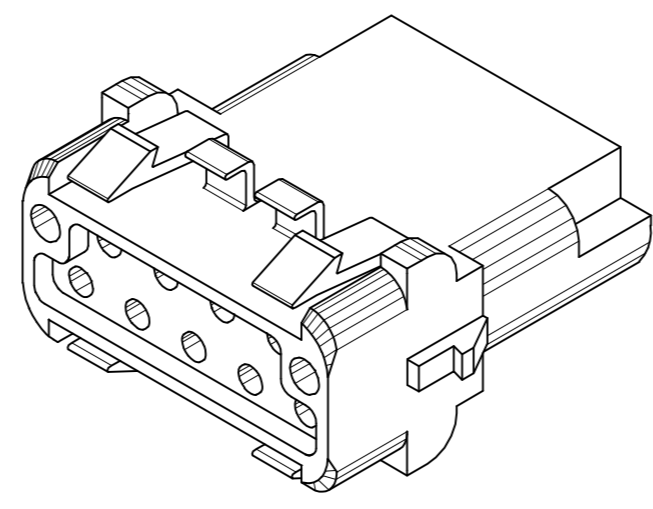
THIS DRAWING IS UNPUBLISHED. RELEASED FOR PUBLICATION
 © COPYRIGHT BY TYCO ELECTRONICS CORPORATION. ALL INTERNATIONAL RIGHTS RESERVED.

LOC	DIST	REVISIONS					
DF	SO	P	LTR	DESCRIPTION	DATE	DWN	APVD
		C		REV PER ECO-10-002917	16FEB10	PY	DE

RECOMMENDED KEYING		
OPTION	A	B
#1	LONG	EMPTY
#2	EMPTY	LONG
#3	SHORT	SHORT



- $\triangle 1$ MAT'L: 4/6 NYLON UL94V-2 MLDG. CMPD. COLOR: SEE TABLE.
- $\triangle 2$ MAT'L: BRASS PER ASTM-B-16
- $\triangle 3$ MAT'L: STAINLESS STEEL PER QQ-S-766
- $\triangle 4$ FINISH: TIN PLATED PER MIL-T-10727
- $\triangle 5$ RECOMMENDED PANEL THICKNESS: 1.30-3.20 [.051-.126].
- $\triangle 6$ RECOMMEND REMOVAL OF SHARP EDGE ON CONNECTOR INSERTION SIDE OF PANEL CUT OUT TO FACILITATE INSERTION OF HOUSING INTO PANEL.
- $\triangle 7$ TOLERANCE IS $\begin{matrix} +0.20 \\ -0.00 \end{matrix}$ [.008 / .000] FOR PANELS OVER 2.90 [.114] THICK.
- $\triangle 8$ SQUARED CORNERS ARE ACCEPTABLE.
- $\triangle 9$ ANTI-VIBRATION TABS MAXIMUM FLEX WIDTH: 22.00 [.866] WITH 3.20 [.126] THICK PANEL.
- $\triangle 10$ DFE DETAIL SYMBOL (PA46), IS FOR RECYCLING IDENTIFICATION ONLY, NOT A PART NUMBER.



ISOMETRIC VIEW
 SCALE: NTS

NATURAL	443160-2
PALE BLUE	443160-1
HOUSING COLOR	PART NUMBER

THIS DRAWING IS A CONTROLLED DOCUMENT.		DWN	C.C.THOMAS	7-27-95	Tyco Electronics Corporation Harrisburg, PA 17105-3608												
DIMENSIONS: mm		CHK	C.SHELLY	7-27-95													
TOLERANCES UNLESS OTHERWISE SPECIFIED:		APVD	C.SHELLY	7-27-95													
<table border="1"> <tr><td>0 PLC</td><td>± -</td></tr> <tr><td>1 PLC</td><td>± -</td></tr> <tr><td>2 PLC</td><td>± 0.20 [.008]</td></tr> <tr><td>3 PLC</td><td>± -</td></tr> <tr><td>4 PLC</td><td>± -</td></tr> <tr><td>ANGLES</td><td>± -</td></tr> </table>		0 PLC	± -	1 PLC		± -	2 PLC	± 0.20 [.008]	3 PLC	± -	4 PLC	± -	ANGLES	± -	PRODUCT SPEC	-	NAME
0 PLC	± -																
1 PLC	± -																
2 PLC	± 0.20 [.008]																
3 PLC	± -																
4 PLC	± -																
ANGLES	± -																
MATERIAL	SEE TABLE	FINISH	SEE TABLE	WEIGHT	-												
CUSTOMER DRAWING		SCALE	NTS	SHEET	1 OF 1												
		REV	C														

单击下面可查看定价，库存，交付和生命周期等信息

[>>TE Connectivity\(泰科\)](#)