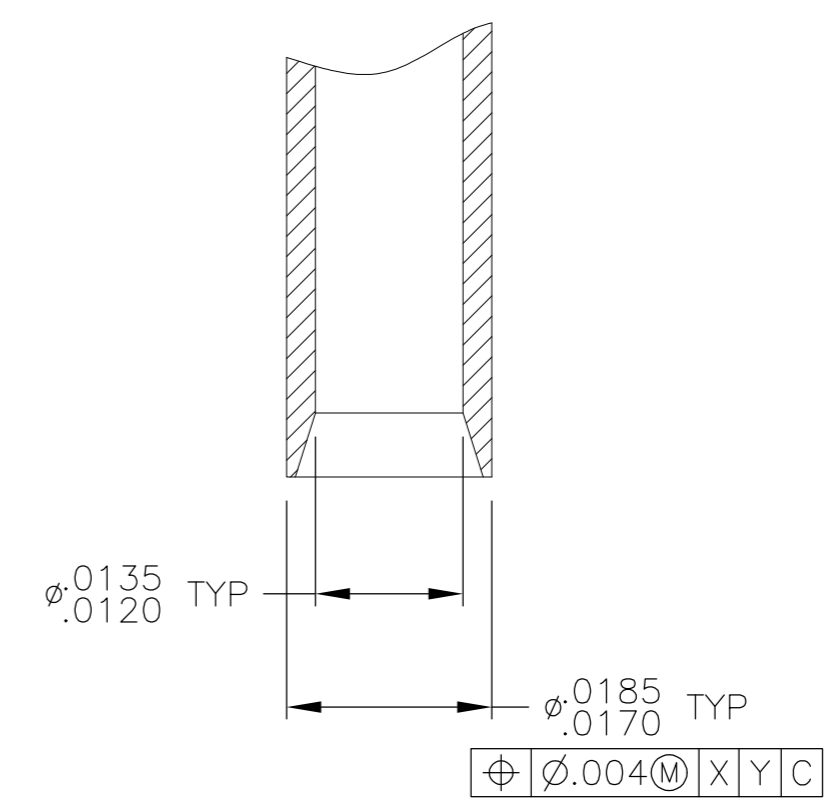
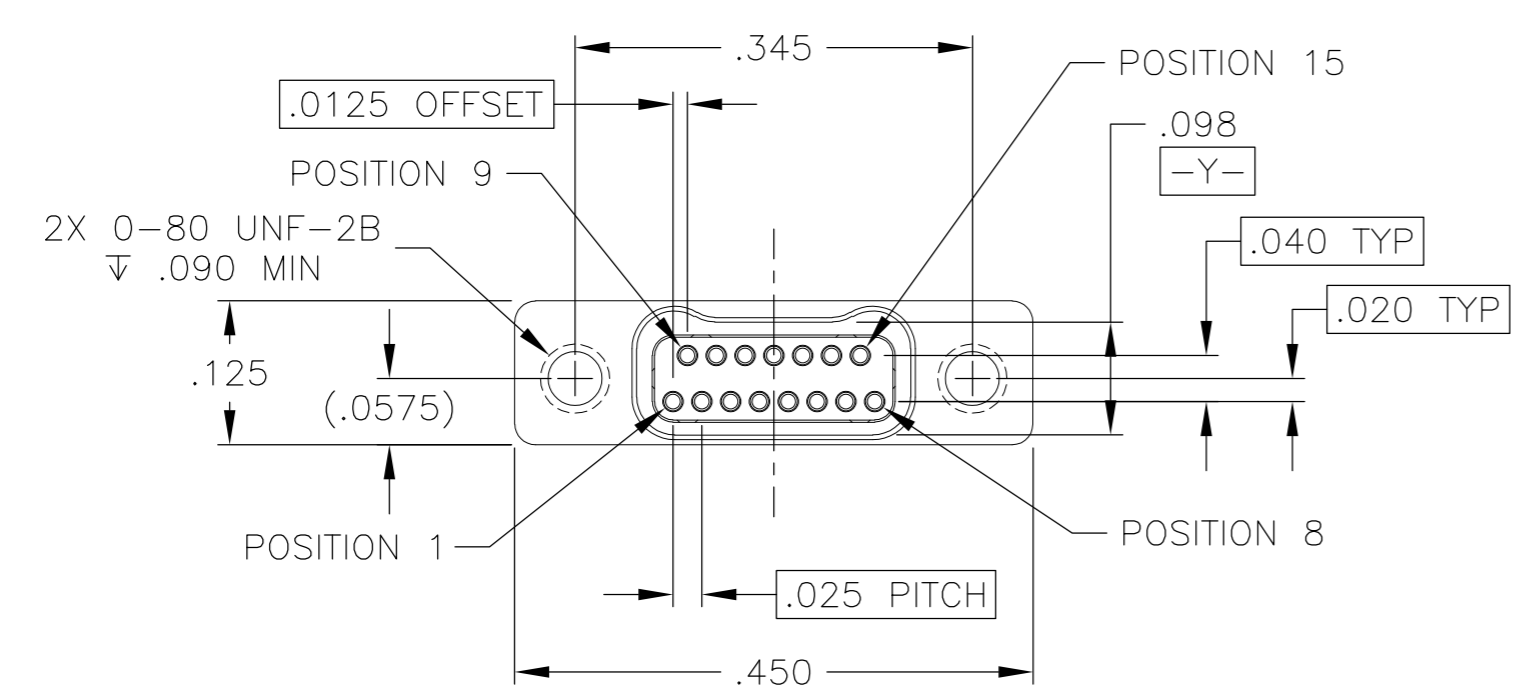
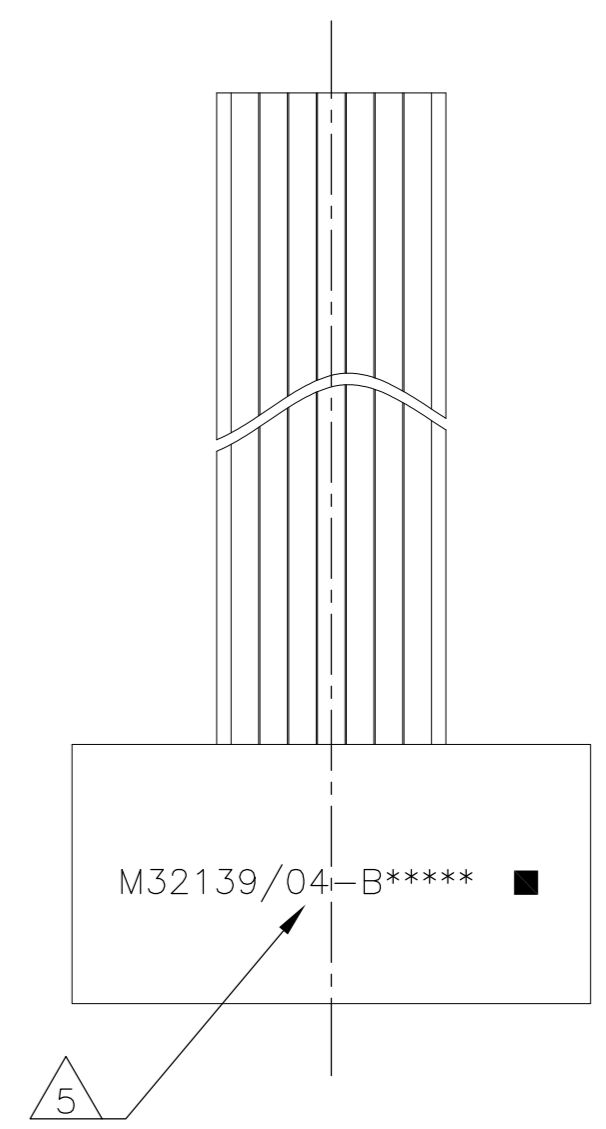
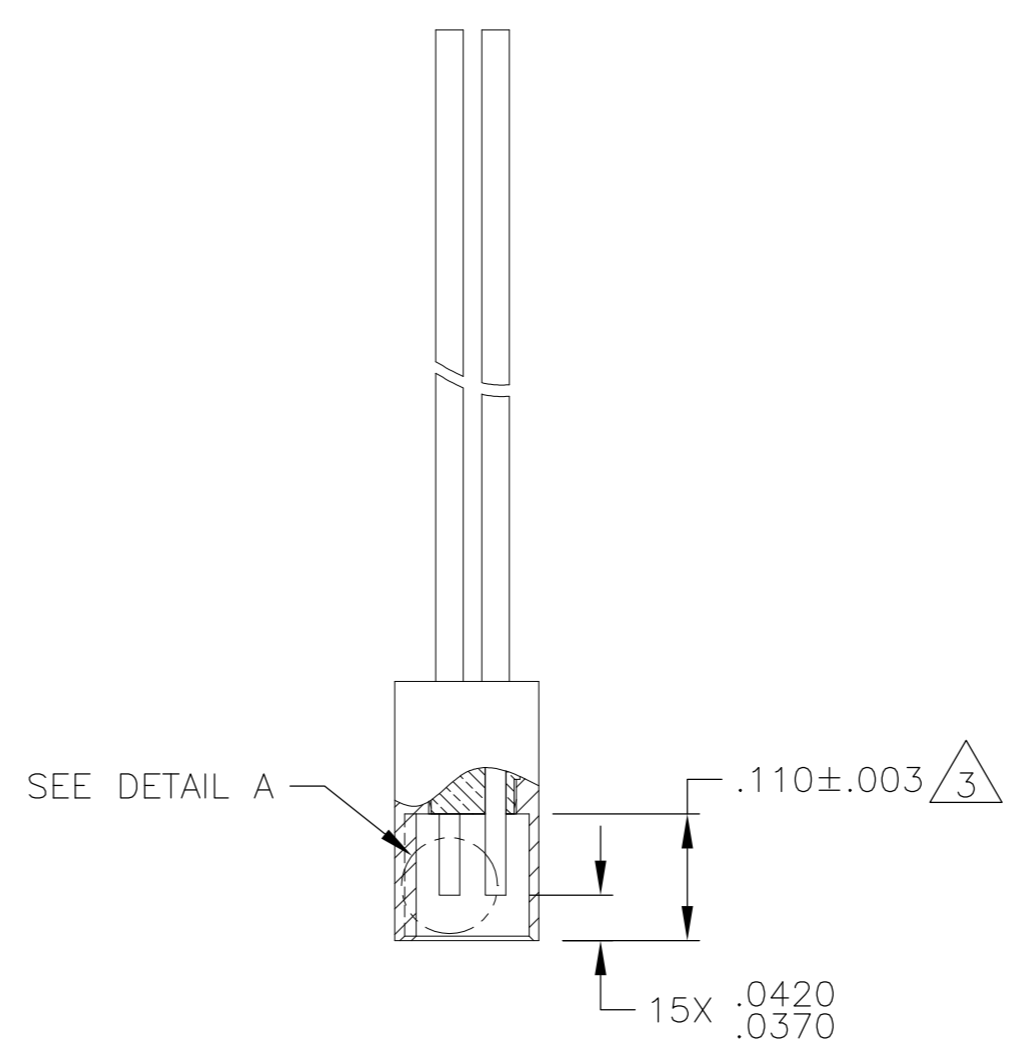
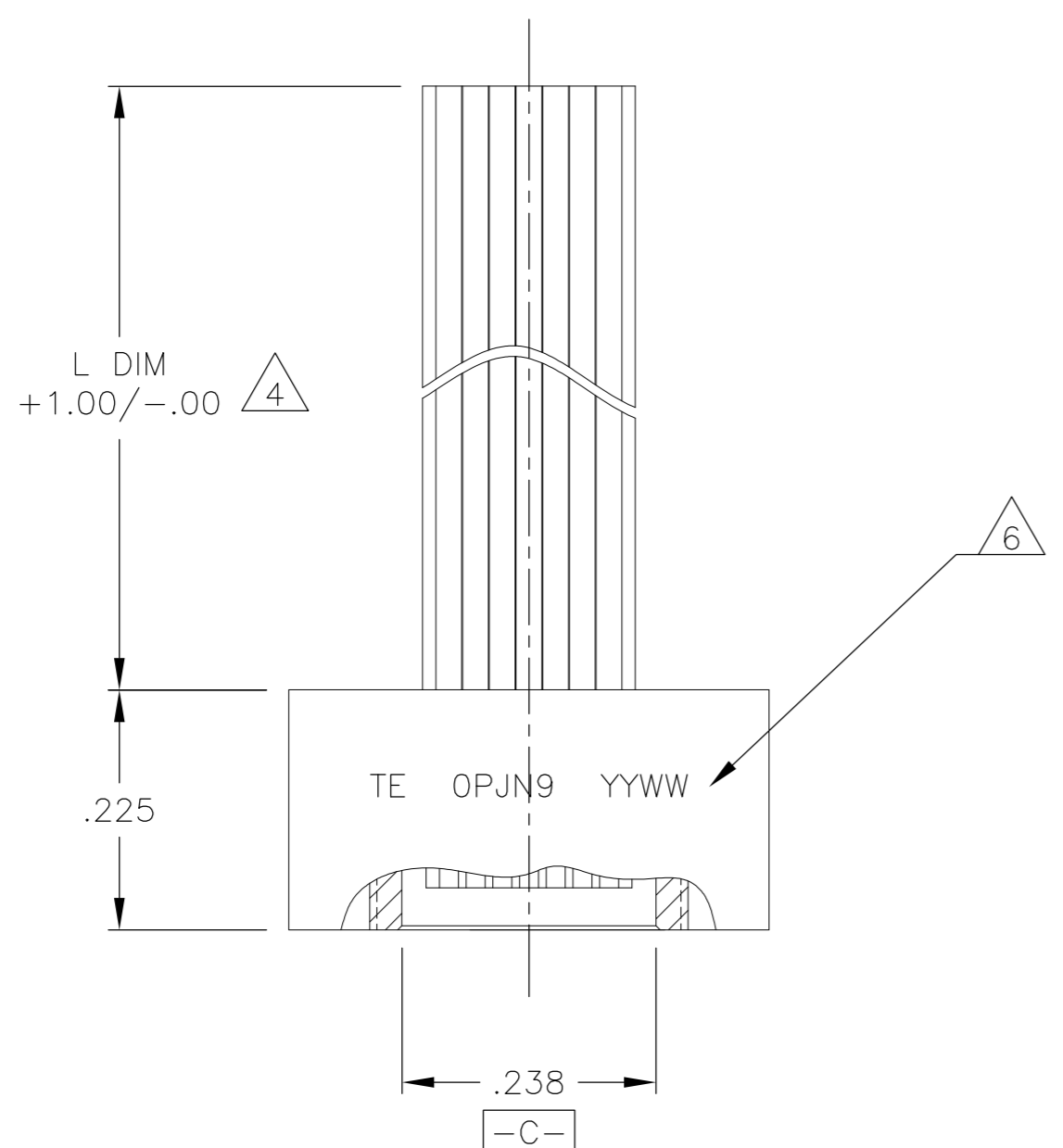


THIS DRAWING IS UNPUBLISHED. RELEASED FOR PUBLICATION
 © COPYRIGHT - By - ALL RIGHTS RESERVED.

LOC		DIST		REVISIONS			
P	LTR	DESCRIPTION		DATE	DWN	APVD	
B		REV PER ECO 15-007382		5-18-15	CT	RL	



DETAIL A
SCALE: 10X

1 ALL DIMENSIONS, MATERIALS, AND FINISHES ARE IN ACCORDANCE WITH MIL-DTL-32139 AND MIL-DTL-32139/4
 2 SEE SHEET 2 FOR MIL-DTL-32139 PIN (PART IDENTIFYING NUMBER) AND CORRESPONDING TE PART NUMBERS

- 3 INSULATOR SHALL BE FLUSH WITH THE SHELL TO WITHIN ±.004
- 4 WIRE TYPE DEFINED BY MIL-DTL-32139/4
- 5 CONNECTOR SHALL BE MARKED IN ACCORDANCE WITH METHOD I OF MIL-STD-1285. MARKING SHALL CONTAIN THE MILITARY PIN AND POSITION 1 INDICATED BY AN IDENTIFIABLE MARK, LOCATED APPROXIMATELY AS SHOWN ON THE POSITION 1 SIDE OF THE CONNECTOR FLANGE. TEXT HEIGHT SHALL BE .035 INCH MINIMUM.
- 6 CONNECTOR SHALL BE MARKED IN ACCORDANCE WITH METHOD I OF MIL-STD-1285. MARKING SHALL CONTAIN TE, CAGE CODE AND DATE CODE. EXAMPLE: TE OPJN9 YYWW (WHERE YYWW IS THE DATE CODE). TEXT HEIGHT SHALL BE .035 INCH MINIMUM.

THIS DRAWING IS A CONTROLLED DOCUMENT.		DWN C SCHOLL 16 AUG 10	TE Connectivity	
DIMENSIONS: INCHES		CHK M STORRY 16 AUG 10		
TOLERANCES UNLESS OTHERWISE SPECIFIED:		APVD -	NAME RECEPTACLE ASSEMBLY, TWO ROW, FLYING LEADS, PER MIL-DTL-32139/4, SIZE 15	
0 PLC ± -		PRODUCT SPEC -	SIZE A2	
1 PLC ± -		APPLICATION SPEC -	CAGE CODE OPJN9	DRAWING NO 1925222
2 PLC ± -		WEIGHT -	RESTRICTED TO -	
3 PLC ± .005		CUSTOMER DRAWING	SCALE 6:1	SHEET 1 of 2
4 PLC ± -			REV B	
ANGLES ± 2°				
MATERIAL SEE NOTES	FINISH SEE NOTES			

1925222

THIS DRAWING IS UNPUBLISHED. RELEASED FOR PUBLICATION
 © COPYRIGHT - By - ALL RIGHTS RESERVED.

LOC		DIST		REVISIONS			
P	LTR	DESCRIPTION	DATE	DWN	APVD		
-	-	SEE SHEET 1	-	-	-		

PART NUMBER CROSS REFERENCE			
TE P/N	L DIM	MIL SPEC PIN	NANONICS P/N
1925222-1	6	M32139/04-B01TNS	TMN2N015SC2DX006T
1925222-2	6	M32139/04-B01TSS	TMN2S015SC2DX006T
1925222-3	18	M32139/04-B02TNS	TMN2N015SC2DX018T
1925222-4	18	M32139/04-B02TSS	TMN2S015SC2DX018T
1925222-5	36	M32139/04-B03TNS	TMN2N015SC2DX036T
1925222-6	36	M32139/04-B03TSS	TMN2S015SC2DX036T
1925222-7	6	M32139/04-B04TNS	TMN2N015SC2DM006T
1925222-8	6	M32139/04-B04TSS	TMN2S015SC2DM006T
1925222-9	18	M32139/04-B05TNS	TMN2N015SC2DM018T
1-1925222-0	18	M32139/04-B05TSS	TMN2S015SC2DM018T
1-1925222-1	36	M32139/04-B06TNS	TMN2N015SC2DM036T
1-1925222-2	36	M32139/04-B06TSS	TMN2S015SC2DM036T
1-1925222-3	6	M32139/04-B07TNS	TMN2N015SC2DT006T
1-1925222-4	6	M32139/04-B07TSS	TMN2S015SC2DT006T
1-1925222-5	18	M32139/04-B08TNS	TMN2N015SC2DT018T
1-1925222-6	18	M32139/04-B08TSS	TMN2S015SC2DT018T
1-1925222-7	36	M32139/04-B09TNS	TMN2N015SC2DT036T
1-1925222-8	36	M32139/04-B09TSS	TMN2S015SC2DT036T
1-1925222-9	6	M32139/04-B10TNS	TMN2N015SC2TM006T
2-1925222-0	6	M32139/04-B10TSS	TMN2S015SC2TM006T
2-1925222-1	18	M32139/04-B11TNS	TMN2N015SC2TM018T
2-1925222-2	18	M32139/04-B11TSS	TMN2S015SC2TM018T
2-1925222-3	36	M32139/04-B12TNS	TMN2N015SC2TM036T
2-1925222-4	36	M32139/04-B12TSS	TMN2S015SC2TM036T

2-1925222-5	6	M32139/04-B13TNS	TMN2N015SC2CX006T
2-1925222-6	6	M32139/04-B13TSS	TMN2S015SC2CX006T
2-1925222-7	18	M32139/04-B14TNS	TMN2N015SC2CX018T
2-1925222-8	18	M32139/04-B14TSS	TMN2S015SC2CX018T
2-1925222-9	36	M32139/04-B15TNS	TMN2N015SC2CX036T
3-1925222-0	36	M32139/04-B15TSS	TMN2S015SC2CX036T
3-1925222-1	6	M32139/04-B16TNS	TMN2N015SC2CM006T
3-1925222-2	6	M32139/04-B16TSS	TMN2S015SC2CM006T
3-1925222-3	18	M32139/04-B17TNS	TMN2N015SC2CM018T
3-1925222-4	18	M32139/04-B17TSS	TMN2S015SC2CM018T
3-1925222-5	36	M32139/04-B18TNS	TMN2N015SC2CM036T
3-1925222-6	36	M32139/04-B18TSS	TMN2S015SC2CM036T

TMN X X XXX XX X XX XXX X

CLASS
M32139

ROW
2 2 ROW

FINISH
N ELECTROLESS NICKEL
S STAINLESS STEEL

POSITION
015 15 POSITION

HARDWARE/THREADS
T 0-80 THREADS (RECEPTACLES)

CONDUCTOR LENGTH
006 SIX INCHES
018 EIGHTEEN INCHES
036 THIRTY SIX INCHES

CONDUCTOR TYPE
DX WHITE PTFE PER NEMA HP3-ETXBBB9
DM COLOR CODED PTFE PER MIL-STD-681, SYSTEM 1
DT WHITE ETFE PER M22759/33-30-9
TM COLOR CODED ETFE PER MIL-STD-681, SYSTEM 1
~~CX WHITE COMPOSITE/PTFE PER DSCC 04047 30A 9~~
~~CM COLOR CODED COMPOSITE/PTFE PER MIL-STD-681, SYSTEM 1~~

CONDUCTOR SIZE/STRANDS
2 30AWG 7 STRAND

CONFIGURATION
SC RECEPTACLE

- THE FINAL 'S' IN THE MIL-SPEC PIN SIGNIFIES THAT THE CONNECTOR IS "SPACE CLASS". OMITTING THIS CHARACTER WILL YIELD THE SAME CORRESPONDING TE AND NANONICS PART NUMBERS.
- THE COLOR CODE SHALL ONLY INCLUDE THE 10 SOLID COLORS IN REPEATING SEQUENCE.
- PRELIMINARY PARTS - NOT RELEASED FOR PRODUCTION

THIS DRAWING IS A CONTROLLED DOCUMENT.		DWN C SCHOLL 16 AUG 10	TE Connectivity	
DIMENSIONS: INCHES		CHK M STORRY 16 AUG 10		
TOLERANCES UNLESS OTHERWISE SPECIFIED:		APVD -	NAME RECEPTACLE ASSEMBLY, TWO ROW, FLYING LEADS, PER MIL-DTL-32139/4, SIZE 15	
0 PLC ± - 1 PLC ± - 2 PLC ± - 3 PLC ± - 4 PLC ± - ANGLES ± 2°		PRODUCT SPEC -	SIZE A2	
MATERIAL -		APPLICATION SPEC -	CAGE CODE 0PJN9	DRAWING NO 1925222
FINISH -		WEIGHT -	RESTRICTED TO -	SCALE 6:1
		CUSTOMER DRAWING	SHEET 2 of 2	REV B

单击下面可查看定价，库存，交付和生命周期等信息

[>>TE Connectivity\(泰科\)](#)