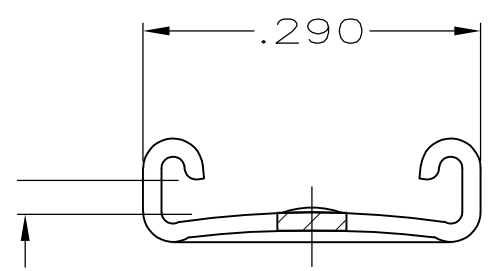
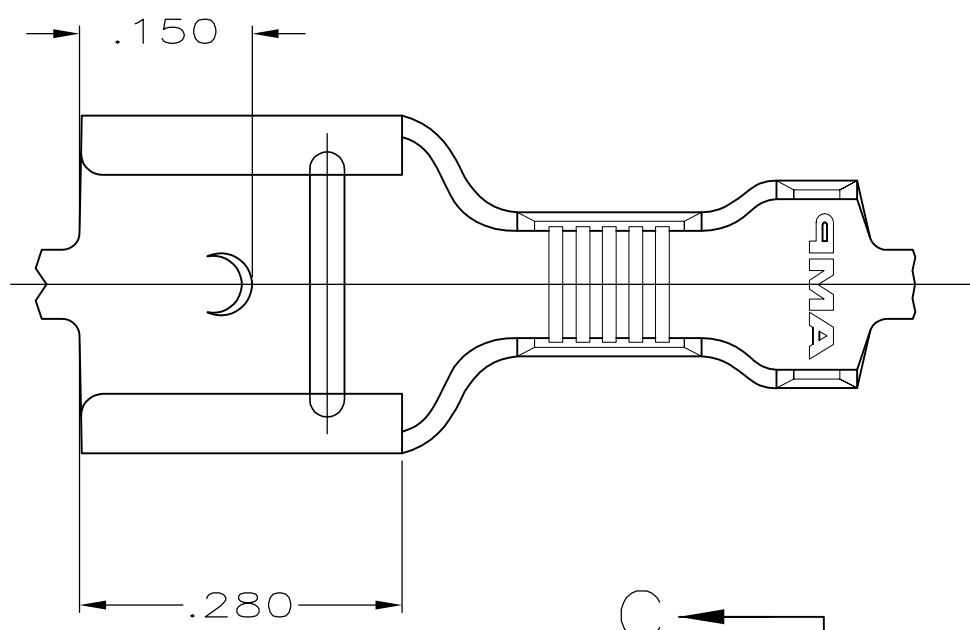
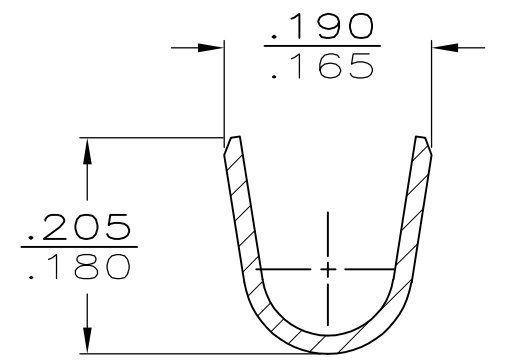
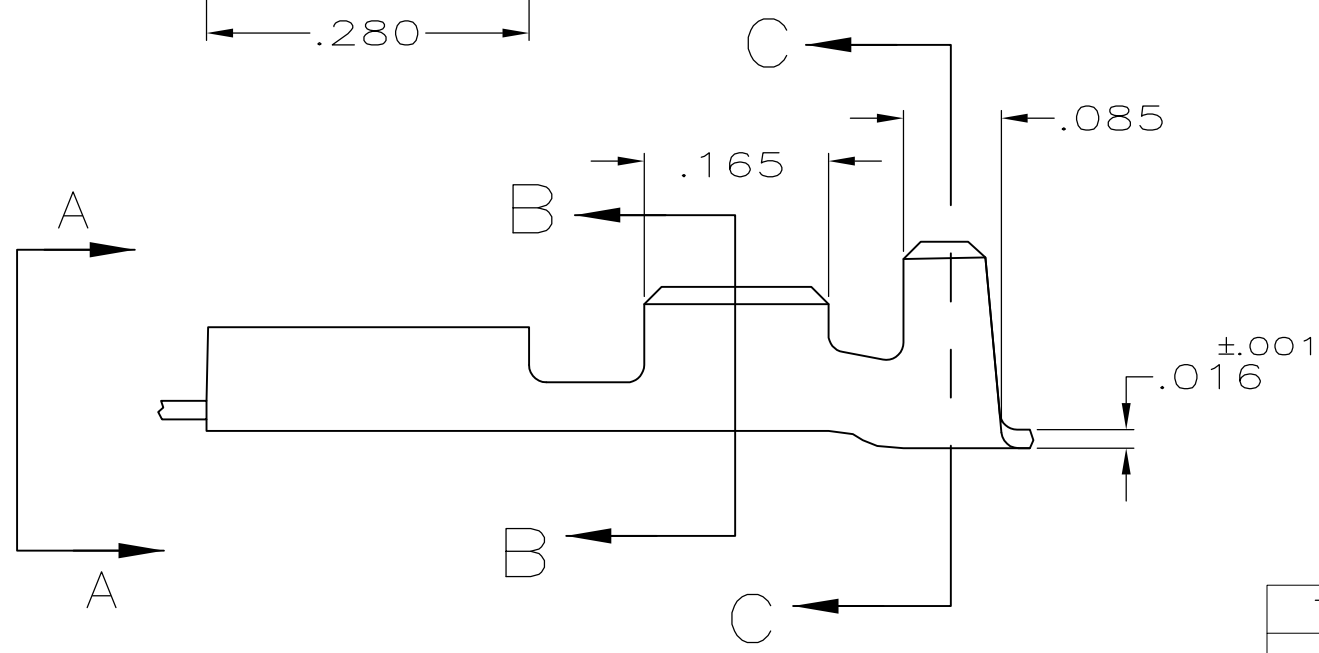


THIS DRAWING IS UNPUBLISHED. RELEASED FOR PUBLICATION
 © COPYRIGHT - By TYCO ELECTRONICS CORPORATION ALL RIGHTS RESERVED.

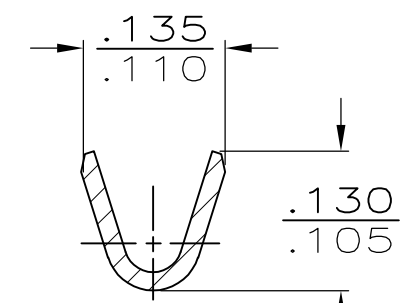
LOC	DIST	REVISIONS					
AF	50	P	LTR	DESCRIPTION	DATE	DWN	APVD
			D	REVISE PER ECR-13-013738	15FEB2014	GRZ	JL



— FITS .250 SERIES FASTON TAB
 VIEW A-A



SECTION C-C



SECTION B-B

TIN	.100-.140	1000-3000	23-20	20-16	.032	60384-2
-	.100-.140	1000-3000	23-20	20-16	.032	60384-1
FINISH	INSULATION RANGE	CMA	2 MAGNET	1 MAGNET	MATING TAB THK ±.001	PART NUMBER

THIS DRAWING IS A CONTROLLED DOCUMENT.		DWN	JR RUTH	5/18/90	STE TE Connectivity											
DIMENSIONS: INCHES		CHK	MS FEHER	5/18/90												
TOLERANCES UNLESS OTHERWISE SPECIFIED:		APVD	-	5/18/90												
<table border="1"> <tr><td>0 PLC</td><td>± -</td></tr> <tr><td>1 PLC</td><td>± -</td></tr> <tr><td>2 PLC</td><td>± -</td></tr> <tr><td>3 PLC</td><td>± .015</td></tr> <tr><td>4 PLC</td><td>± -</td></tr> <tr><td>ANGLES</td><td>± -</td></tr> </table>		0 PLC	± -	1 PLC		± -	2 PLC	± -	3 PLC	± .015	4 PLC	± -	ANGLES	± -	PRODUCT SPEC	-
0 PLC	± -															
1 PLC	± -															
2 PLC	± -															
3 PLC	± .015															
4 PLC	± -															
ANGLES	± -															
MATERIAL	BRASS	FINISH	SEE TABLE	APPLICATION SPEC	-											
WEIGHT		-		SIZE	A3											
CUSTOMER DRAWING		CAGE CODE		00779	DRAWING NO											
SCALE		6:1		C-60384												
SHEET		1 OF 1		RESTRICTED TO												
REV		D														

单击下面可查看定价，库存，交付和生命周期等信息

[>>TE Connectivity\(泰科\)](#)