

THIS DRAWING IS UNPUBLISHED. RELEASED FOR PUBLICATION  
 © COPYRIGHT BY TYCO ELECTRONICS CORPORATION. ALL RIGHTS RESERVED.

LOC	DIST	REVISIONS					
H	-	P	LTR	DESCRIPTION	DATE	DWN	APVD
		A1		ECR-07-024622	16OCT2007	JvH	BM

NOTES:

- HOUSING: GLASS FILLED THERMOPLASTIC UL 94 V-0 RATED; GREY
- CONTACTS: COPPER ALLOY
- PLATING:  
 CONTACT AREA: PERFORMANCE LEVEL 1 OR 2 (SEE TABLE)  
 ACCORDING TO DIN 41612 AND EN 60603-2, TYPE G  
 SOLDERING AREA: 3-7µm TIN OVER 0,8µm NICKEL  
 CONNECTOR IS PRINTED WITH PARTNUMBER AND DATECODE  
 PART IDENTICAL TO 5-9

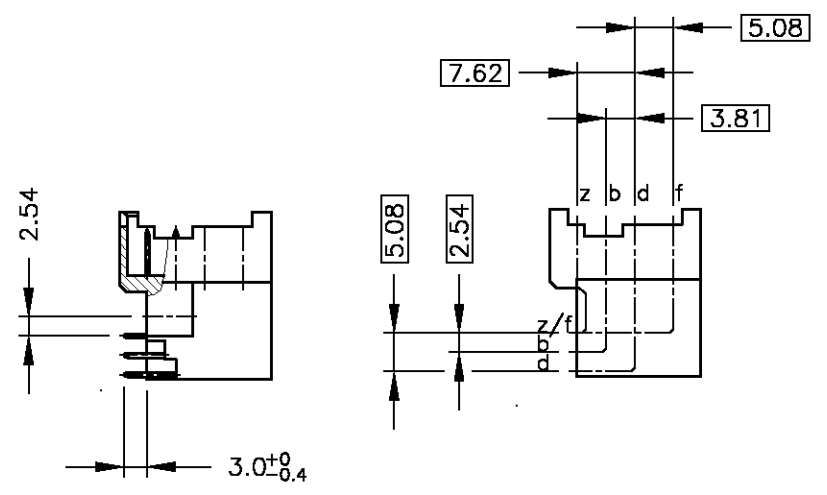
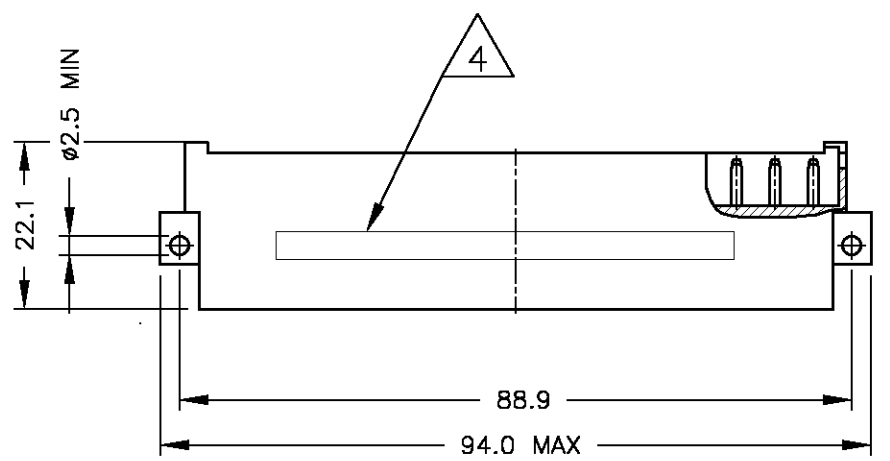
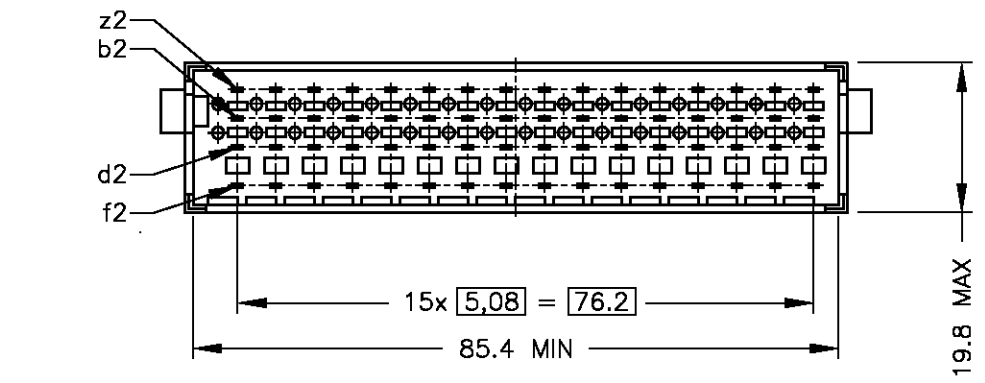


P/N	PERF.LVL	CONTACT ASSIGNMENT																								POS										
		1								2								3																		
		1	2	3	4	5	6	7	8	9	0	1	2	3	4	5	6	7	8	9	0	1	2	1	2	3	4	5	6	7	8	9	0	1	2	
4-2	1																																			
5-9	2	z	+	+	+	+	+	+	+	+	+	+	+	+	+	+	+	+	+	+	+	+	+	+	+	+	+	+	+	+	+	+	+	+	64	
6-0	2	b	+	+	+	+	+	+	+	+	+	+	+	+	+	+	+	+	+	+	+	+	+	+	+	+	+	+	+	+	+	+	+	+		
		d	+	+	+	+	+	+	+	+	+	+	+	+	+	+	+	+	+	+	+	+	+	+	+	+	+	+	+	+	+	+	+	+		
		f	+	+	+	+	+	+	+	+	+	+	+	+	+	+	+	+	+	+	+	+	+	+	+	+	+	+	+	+	+	+	+	+		

4-4	1																																		
6-1	2	z	v	+	+	+	+	+	+	+	+	+	+	+	+	+	+	+	+	+	+	+	+	+	+	+	+	+	+	+	+	+	+	+	64
		b	v	+	+	+	+	+	+	+	+	+	+	+	+	+	+	+	+	+	+	+	+	+	+	+	+	+	+	+	+	+	+	v	
		d	+	+	+	+	+	+	+	+	+	+	+	+	+	+	+	+	+	+	+	+	+	+	+	+	+	+	+	+	+	+	+	+	
		f	+	+	+	+	+	+	+	+	+	+	+	+	+	+	+	+	+	+	+	+	+	+	+	+	+	+	+	+	+	+	+	+	

+ CONTACT  
v PREMATING CONTACT 1,3mm



THIS DRAWING IS A CONTROLLED DOCUMENT.		DWN	J.van Hoek	05OCT2007	Tyco Electronics Corporation 's-Hertogenbosch, Nederland											
DIMENSIONS: mm		CHK	B.Mooij	16OCT2007												
TOLERANCES UNLESS OTHERWISE SPECIFIED:		APVD	J.Broeksteeg	16OCT2005												
<table border="0"> <tr><td>0 PLC</td><td>± -</td></tr> <tr><td>1 PLC</td><td>± -</td></tr> <tr><td>2 PLC</td><td>± -</td></tr> <tr><td>3 PLC</td><td>± -</td></tr> <tr><td>4 PLC</td><td>± -</td></tr> <tr><td>ANGLES</td><td>± -</td></tr> </table>		0 PLC	± -	1 PLC		± -	2 PLC	± -	3 PLC	± -	4 PLC	± -	ANGLES	± -	NAME	
0 PLC	± -															
1 PLC	± -															
2 PLC	± -															
3 PLC	± -															
4 PLC	± -															
ANGLES	± -															
MATERIAL	FINISH	PRODUCT SPEC	-		SIZE	A3	CAGE CODE	00779	DRAWING NO	C-4-1393755-2	RESTRICTED TO	-				
-		APPLICATION SPEC	-		WEIGHT	-		CUSTOMER DRAWING		SCALE	1:1	SHEET	1 OF 1	REV	A1	

单击下面可查看定价，库存，交付和生命周期等信息

[>>TE Connectivity\(泰科\)](#)