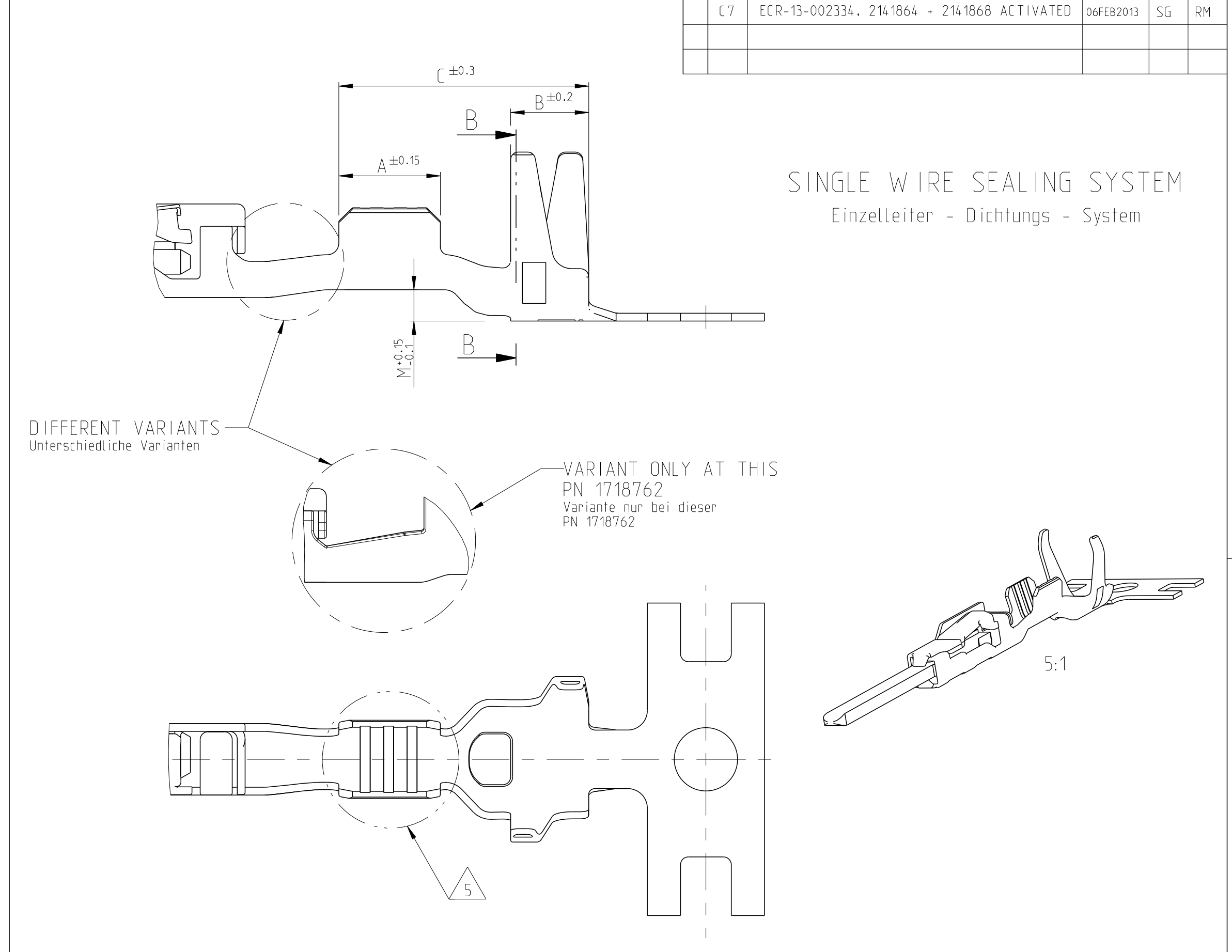
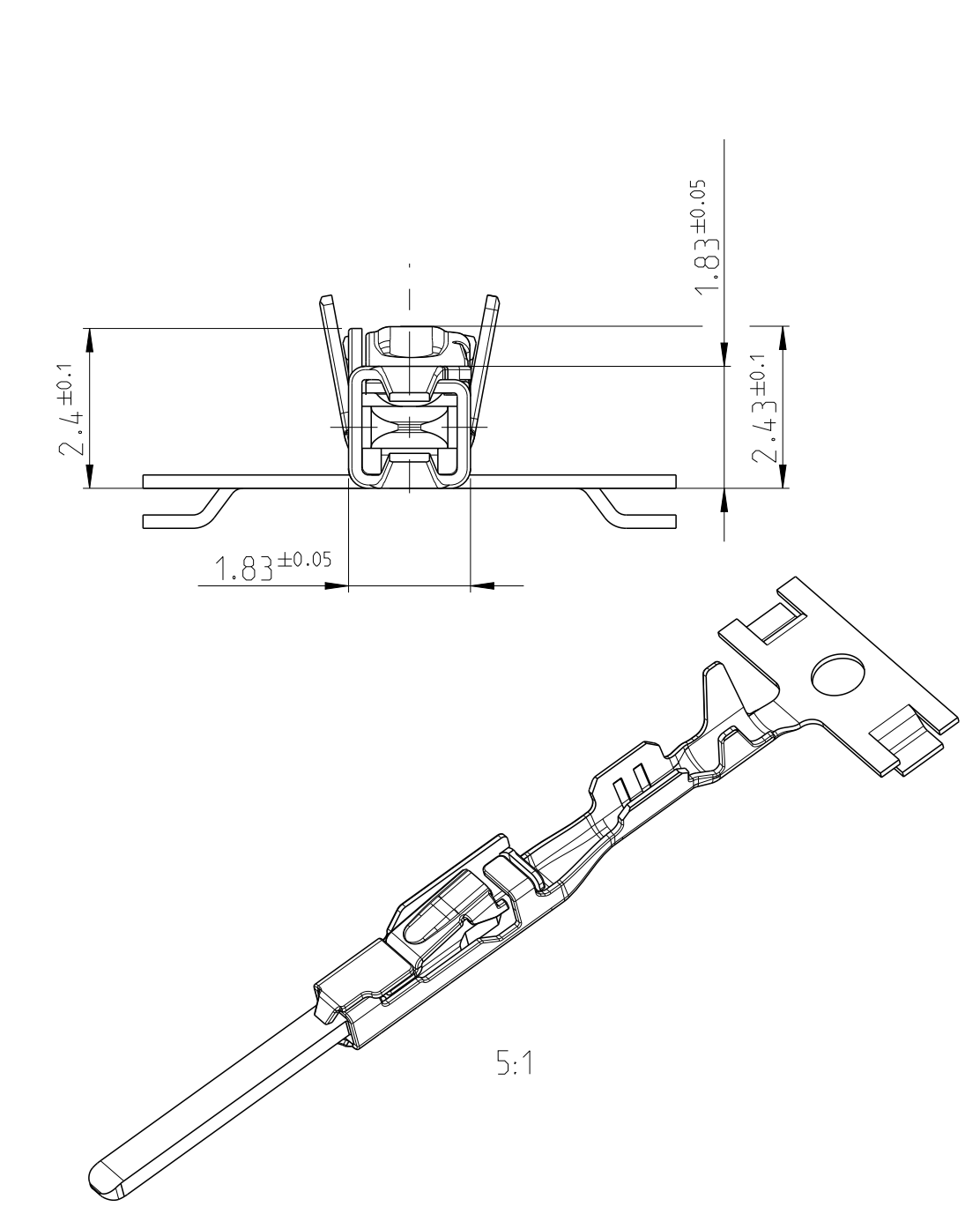
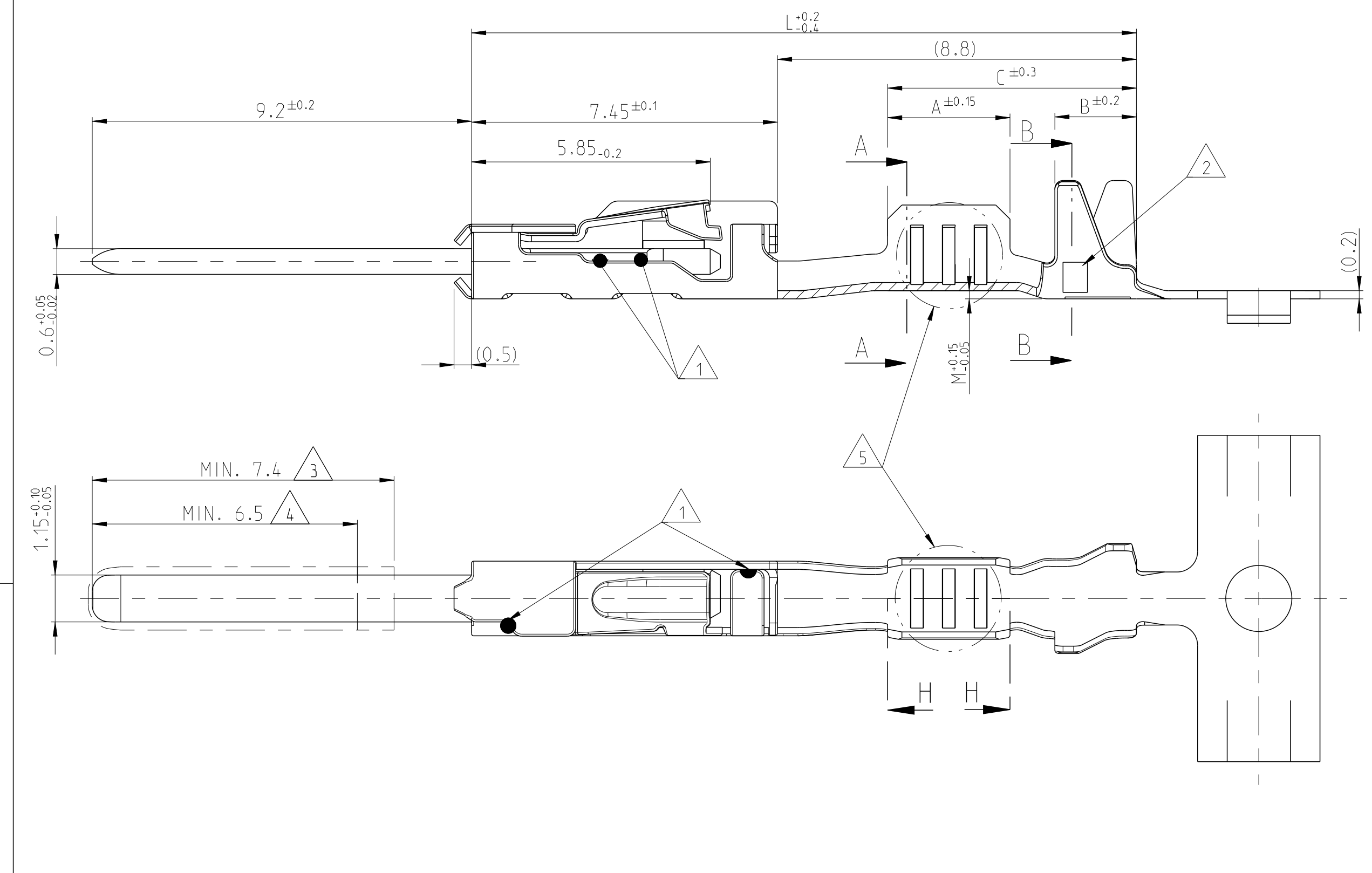


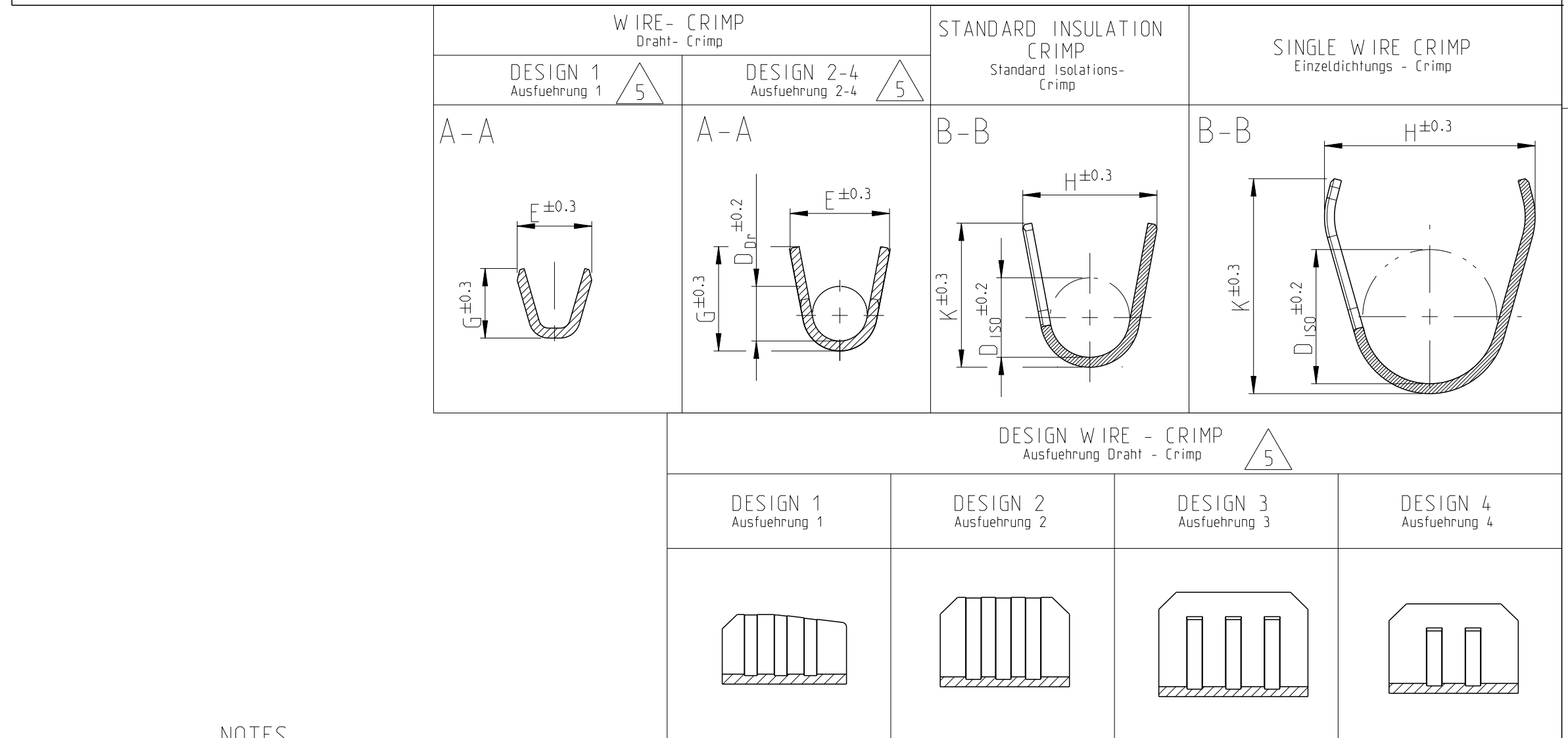
THE DRAWING SHOWS THE 2-DIMENSIONAL REFERENCE COMPONENT CONDITION OF THE ASSEMBLY TO IDENTIFY AND SPECIFY THE NECESSARY DIMENSIONS ONLY. THE DELIVERED PARTS MAY DEVIATE FROM THE DRAWING REGARDING THE ORIENTATION AND POSITION OF EACH COMPONENT (e.g. SLACK CABLE), SO FAR THE FUNCTIONALITY IS NOT CONCERNED.

DIE ZEICHNUNG ZEIGT DEN 2-DIMENSIONAL IDEALZUSTAND DES ZUSAMMENBAUTEILS BEZÜGLICH DER KOMPONENTEN ZUR IDENTIFIKATION UND SPEZIFIKATION DER NOTWENDIGEN DIMENSIONEN. HINSICHTLICH DER ORIENTIERUNG UND DER LAGE DER KOMPONENTEN (Z.B. BIEGESCHLAFTES KABEL) KÖNNEN DIE DELIEFERTEN TEILE VON DER ZEICHNUNG ABWEICHEN, SOFERN DIE FUNKTIONALITÄT NICHT BEEINTRÄCHTIGT IST.

LOC	DIST	REV.	DATE	BY	CHK	APPV
A1	-	C6	27FEB2012	EH	RM	
		C7	06FEB2013	SG	RM	



INSULATION CRIMP FOR Isolationscrimp fuer	ORDER NO. Bestell-Nr. STRIP Bandware	REV	ORDER NO. Bestell-Nr. LOOSE PIECE Einzelausführung	WIRE RANGE Drahtgrößenbereich (mm²)	INSULATION-Ø Isolations-Ø (mm)	BODY Kontaktkoerper		BODY Kontaktkoerper	SPRING Kontaktfeder	DESIGN WIRE-CRIMP Ausführung Draht - Crimp	LENGTH Laenge	WIRE CRIMP Drahtcrimp	INSULATION CRIMP Isolations Crimp	DIMENSION Maßstab (mm)	
						TAB Flachstecker	MATERIAL Werkstoff								SURFACE Oberfläche
SINGLE WIRE SEALING SYSTEM / Einzeldichtungssystem SEE APPLICATION SPECIFICATION / siehe Verarbeitungsspezifikation	1718762-3	B	1718763-3	1.0 - 1.5	1.9 - 2.4	CuNiSi	CuSn0.15/0.2	TIN PLATED verzinkt	2	A = 3.0 B = 2.0 C = 6.8	E = 2.6 G = 2.9 D <sub>dr</sub> = 1.35	H = 4.4 K = 4.3 D <sub>iso</sub> = 2.9 M = 0.8	16.8		
	1718762-2	C	1718763-2												
	1718762-1	B	1718763-1												
	FLR CABLE / Leitung SEE APPLICATION SPECIFICATION / siehe Verarbeitungsspezifikation	1718760-3	A	1718761-3	0.5 - 0.75	1.4 - 1.9	CuNiSi	CuSn0.15/0.2	TIN PLATED verzinkt	2	A = 2.6 B = 2.0 C = 6.4	E = 2.0 G = 2.1 D <sub>dr</sub> = 1.1	H = 4.2 K = 4.3 D <sub>iso</sub> = 2.7 M = 0.8	16.3	
		1718760-2	B	1718761-2											
		1718758-3	A	1718759-3	0.25 - 0.35	1.1 - 1.75	CuNiSi	CuSn0.15/0.2	TIN PLATED verzinkt	2	A = 2.6 B = 2.0 C = 6.4	E = 1.8 G = 1.8 D <sub>dr</sub> = 0.8	H = 4.2 K = 4.3 D <sub>iso</sub> = 2.6 M = 0.8	16.3	
		1718758-2	B	1718759-2											
		1718758-1	A	1718759-1											
		INSULATION CRIMP FOR Isolationscrimp fuer	2141868-3	A		0.13 - 0.17	2.6	CuNiSi	CuSn0.15/0.2	TIN PLATED verzinkt	1	A = 2.5 B = 1.9 C = 6.2	E = 1.5 G = 1.4	H = 4.0 K = 4.1 D <sub>iso</sub> = 2.6 M = 0.6	15.3
	2141868-2		A												
	2141868-1		A												
	FLR CABLE / Leitung SEE APPLICATION SPECIFICATION / siehe Verarbeitungsspezifikation		1418762-3	A	1418763-3	1.0 - 1.5	1.9 - 2.4	CuNiSi	CuSn0.15/0.2	TIN PLATED verzinkt	3	A = 3.0 B = 2.0 C = 6.1	E = 2.6 G = 2.9 D <sub>dr</sub> = 1.35	H = 3.7 K = 3.9 D <sub>iso</sub> = 2.1 M = 0.2	16.3
1418762-2			B	1418763-2											
1418762-1			A	1418763-1											
FLR CABLE / Leitung SEE APPLICATION SPECIFICATION / siehe Verarbeitungsspezifikation			5-1418760-3	A		0.5 - 0.75	1.4 - 1.9	CuNiSi	CuSn0.15/0.2	TIN PLATED verzinkt	2	A = 3.0 B = 2.0 C = 6.1	E = 2.0 G = 2.1 D <sub>dr</sub> = 1.1	H = 2.7 K = 2.9 D <sub>iso</sub> = 1.6 M = 0.2	16.3
			5-1418760-2	A											
			5-1418760-1	A		0.5 - 0.75	1.4 - 1.9	CuNiSi	CuSn0.15/0.2	TIN PLATED verzinkt	3	A = 3.0 B = 2.0 C = 6.1	E = 2.0 G = 2.1 D <sub>dr</sub> = 1.1	H = 2.7 K = 2.9 D <sub>iso</sub> = 1.6 M = 0.2	16.3
			1418760-3	B	1418761-3										
			1418760-2	C	1418761-2										
			FLR CABLE / Leitung SEE APPLICATION SPECIFICATION / siehe Verarbeitungsspezifikation	1418760-1	B	1418761-1	0.25 - 0.35	1.1 - 1.75	CuNiSi	CuSn0.15/0.2	TIN PLATED verzinkt	2	A = 2.6 B = 2.0 C = 5.7	E = 1.8 G = 1.8 D <sub>dr</sub> = 0.8	H = 2.6 K = 2.6 D <sub>iso</sub> = 1.4 M = 0.2
5-1418758-3		A													
5-1418758-2		B													
FLR CABLE / Leitung SEE APPLICATION SPECIFICATION / siehe Verarbeitungsspezifikation		5-1418758-1		A		0.25 - 0.35	1.1 - 1.75	CuNiSi	CuSn0.15/0.2	TIN PLATED verzinkt	4	A = 2.6 B = 2.0 C = 5.7	E = 1.8 G = 1.8 D <sub>dr</sub> = 0.8	H = 2.6 K = 2.6 D <sub>iso</sub> = 1.4 M = 0.2	16.3
	1418758-3	A		1418759-3											
	1418758-2	B		1418759-2											
	INSULATION CRIMP FOR Isolationscrimp fuer	1418758-1	A	1418759-1	0.13 - 0.17	0.85 - 1.2	CuNiSi	CuSn0.15/0.2	TIN PLATED verzinkt	1	A = 2.5 B = 1.7 C = 5.4	E = 1.5 G = 1.4	H = 2.0 K = 1.9 D <sub>iso</sub> = 1.1	15.3	
		2141864-3	A												
		2141864-2	A												
2141864-1	A														



NOTES  
 Bemerkungen

- LASER WELDED Lasergeschweisst
- REVISION STATUS Revisionsstand
- CONTACT AREA TAB MIN. 0.8µm SELECTIV GOLD OVER Ni Kontaktzone selectiv vergoldet min. 0.8µm ueber Ni
- CONTACT AREA TAB MIN. 2.0µm SELECTIV SILVER Kontaktzone selectiv versilbert min. 2.0µm
- DIFFERENT FORM OF THE SERRATIONS AND WIRE-CRIMP POSSIBLE unterschiedliche Ausfuehrung der Ritlen und des Draht-Crimps moeglich

PRODUCT CHARACTERISTICS ACC. QMP 1.12 BESONDERE MERKMALE NACH QMP 1.12	TOLERANCING ISO 8015 TOLERIERUNG ISO 8015
THIS DRAWING IS A CONTROLLED DOCUMENT. OTHER DOCUMENTS AND/OR PARTS MAY BE USED FOR IDENTIFICATION PURPOSES ONLY. THE IDENTIFICATION NUMBER AND/OR PART NUMBER SHALL BE INDICATED ON THE DRAWING.	DM: R. Meier CHK: U. Muenk 30JUL03
DIMENSIONS: MASSENHITEN (mm)	APVD: -
TOLERANCES UNLESS OTHERWISE SPECIFIED: ALLE DIMENSIONEN	NAME: PRODUCT GROUP DRAWING FOR TAB CONTACT 1.2 MM
PLC ±0.2MM 3 PLC ±0.2MM PLC ±0.2MM	PRODUCT SPEC: 105-18782 APPLICATION SPEC: 174-184-04
MATERIAL: SEE TABLE	WEIGHT: - CUSTOMER DRAWING
FINISHES: SEE TABLE	RESTRICTED TO: NUR FÜR: -
SCALE: 10:1	SHEET: 1 OF 1

单击下面可查看定价，库存，交付和生命周期等信息

[>>TE Connectivity\(泰科\)](#)