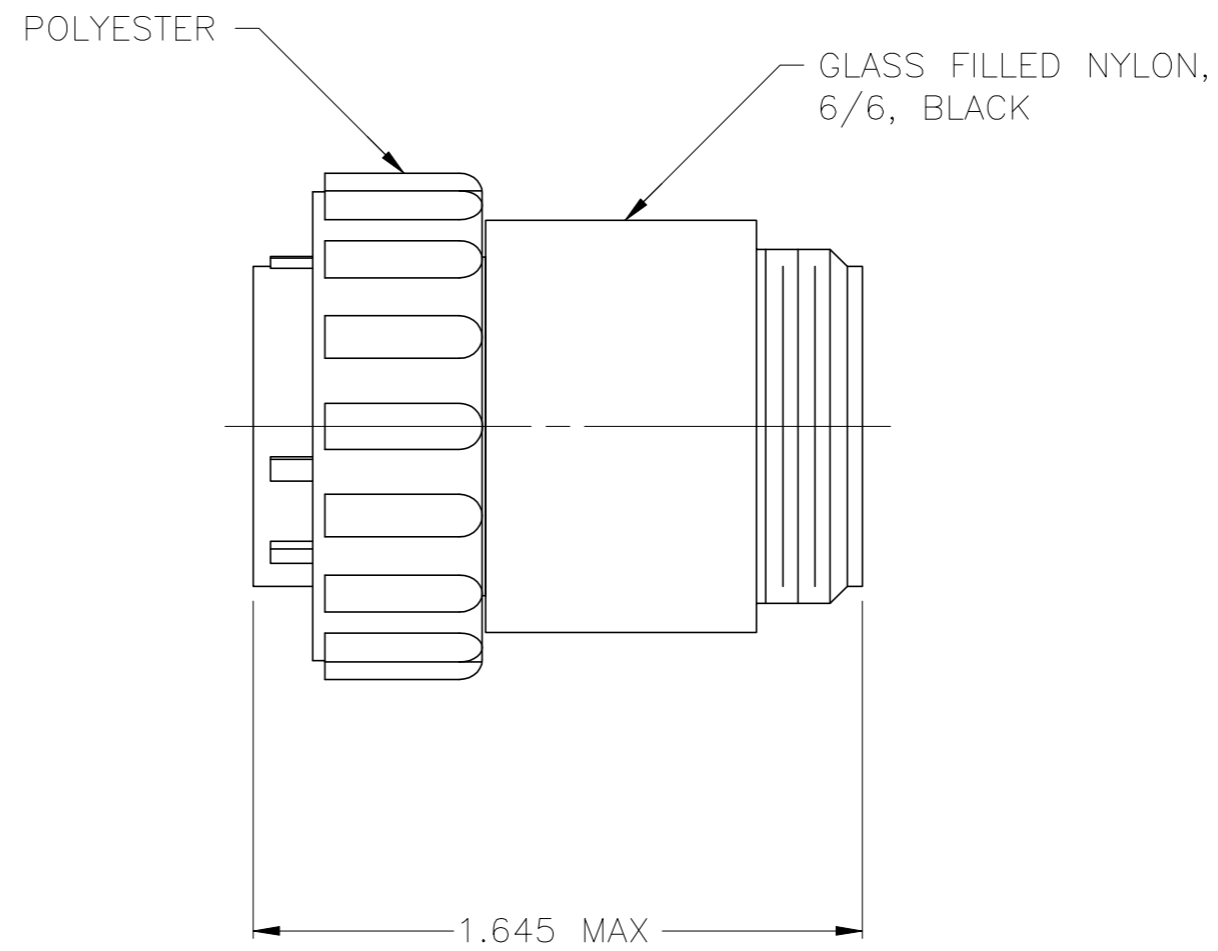
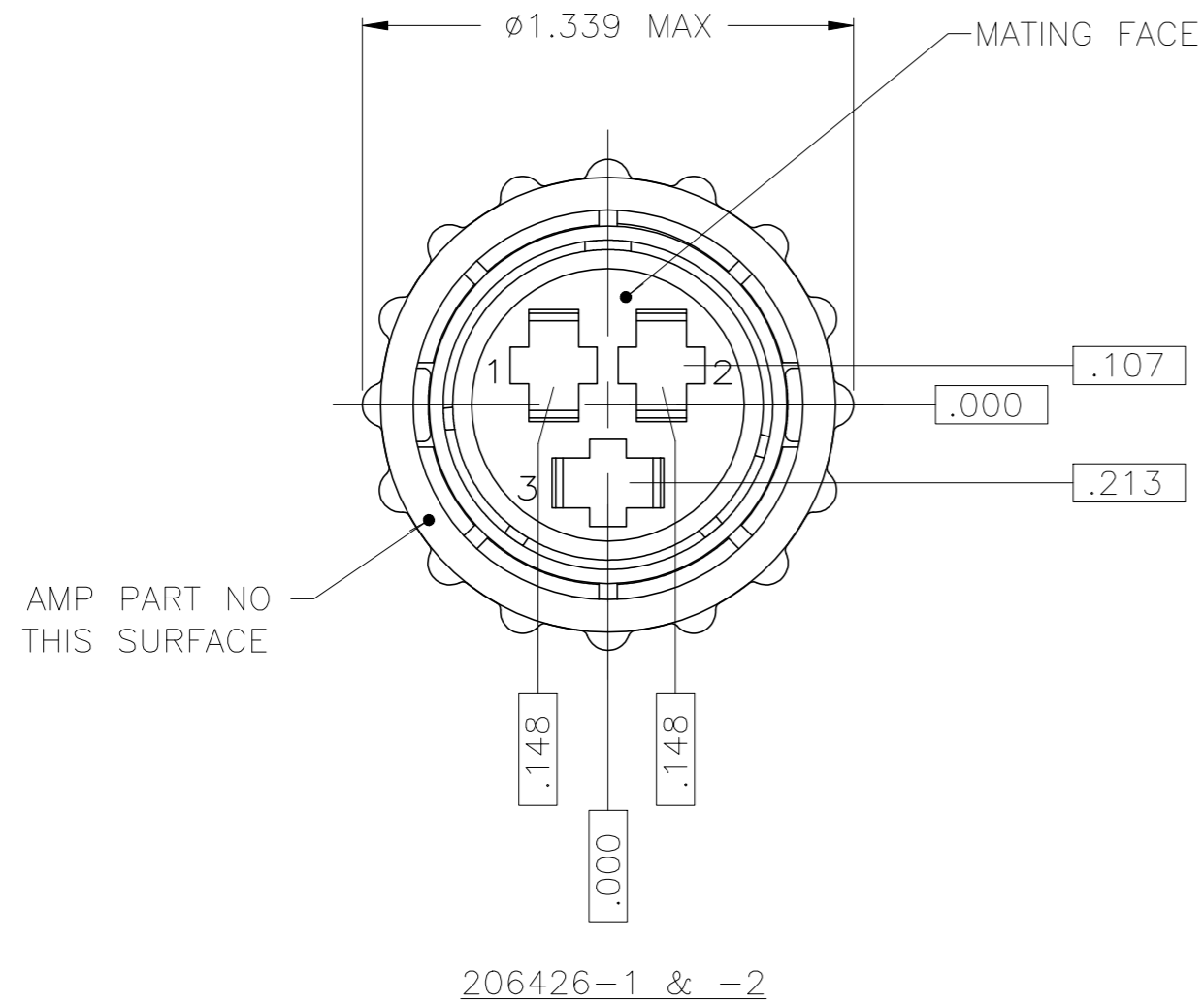


THIS DRAWING IS UNPUBLISHED. RELEASED FOR PUBLICATION
 © COPYRIGHT - By - ALL RIGHTS RESERVED.

REVISIONS					
P	LTR	DESCRIPTION	DATE	DWN	APVD
F3		REVISED PER ECO-16-004800	10SEP2016	NK	MZ
G		REVISED PER ECO-19-009342	20JUN2019	RS	MZ



- 1 CONTACT CAVITIES IDENTIFIED BY CHARACTERS ON FRONT AND REAR FACES OF CONNECTOR.
- 2 WILL ACCEPT (3) TYPE XII PIN CONTACTS.

OBSOLETE	B	BLACK	VALOX	206426-4
OBSOLETE	A	GRAY	NORYL	206426-2
	A	BLACK	VALOX	206426-1
	KEYING STYLE	COUPLING RING COLOR	COUPLING RING MATL	PART NUMBER

THIS DRAWING IS A CONTROLLED DOCUMENT.		DWN S.RIDGLEY BG 8/2/90	TE TE Connectivity	
		CHK R.STONE 04/26/91		
DIMENSIONS: INCHES		NAME		
TOLERANCES UNLESS OTHERWISE SPECIFIED:		PRODUCT SPEC		
0 PLC ± -		APPLICATION SPEC		
1 PLC ± -		SIZE		
2 PLC ± -		CAGE CODE		
3 PLC ± -		DRAWING NO		
4 PLC ± -		RESTRICTED TO		
ANGLES ± -		A2 00779 C=206426		
MATERIAL SEE		WEIGHT		
FINISH		CUSTOMER DRAWING		
		SCALE 2:1		SHEET 1 of 1
				REV G

单击下面可查看定价，库存，交付和生命周期等信息

[>>TE Connectivity\(泰科\)](#)