

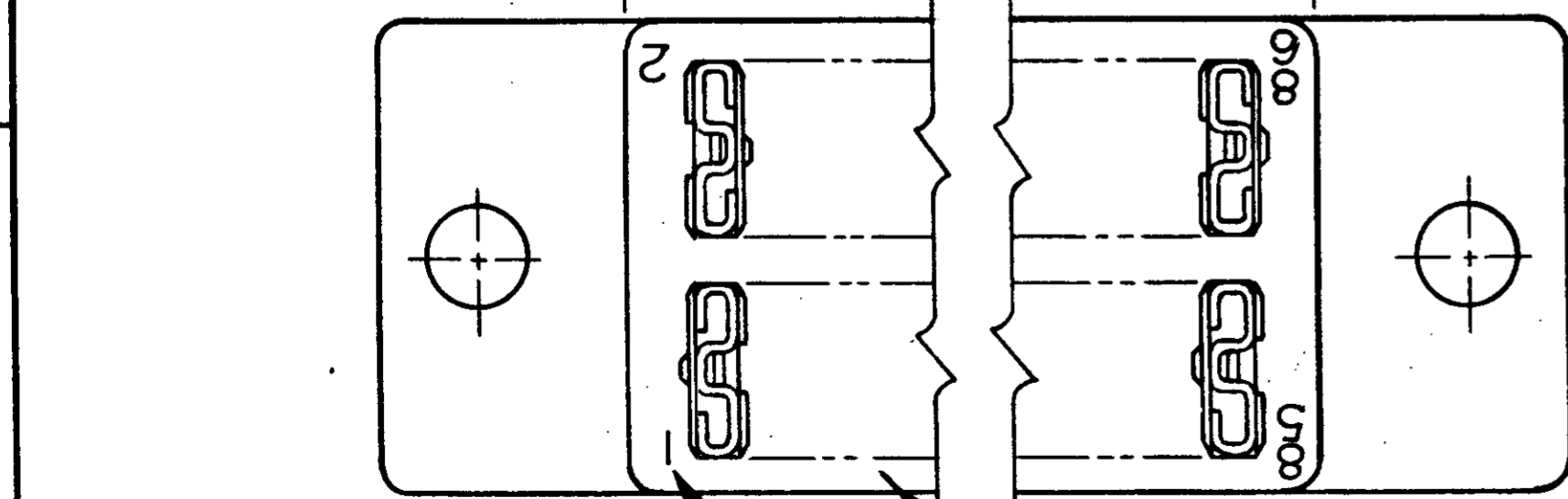
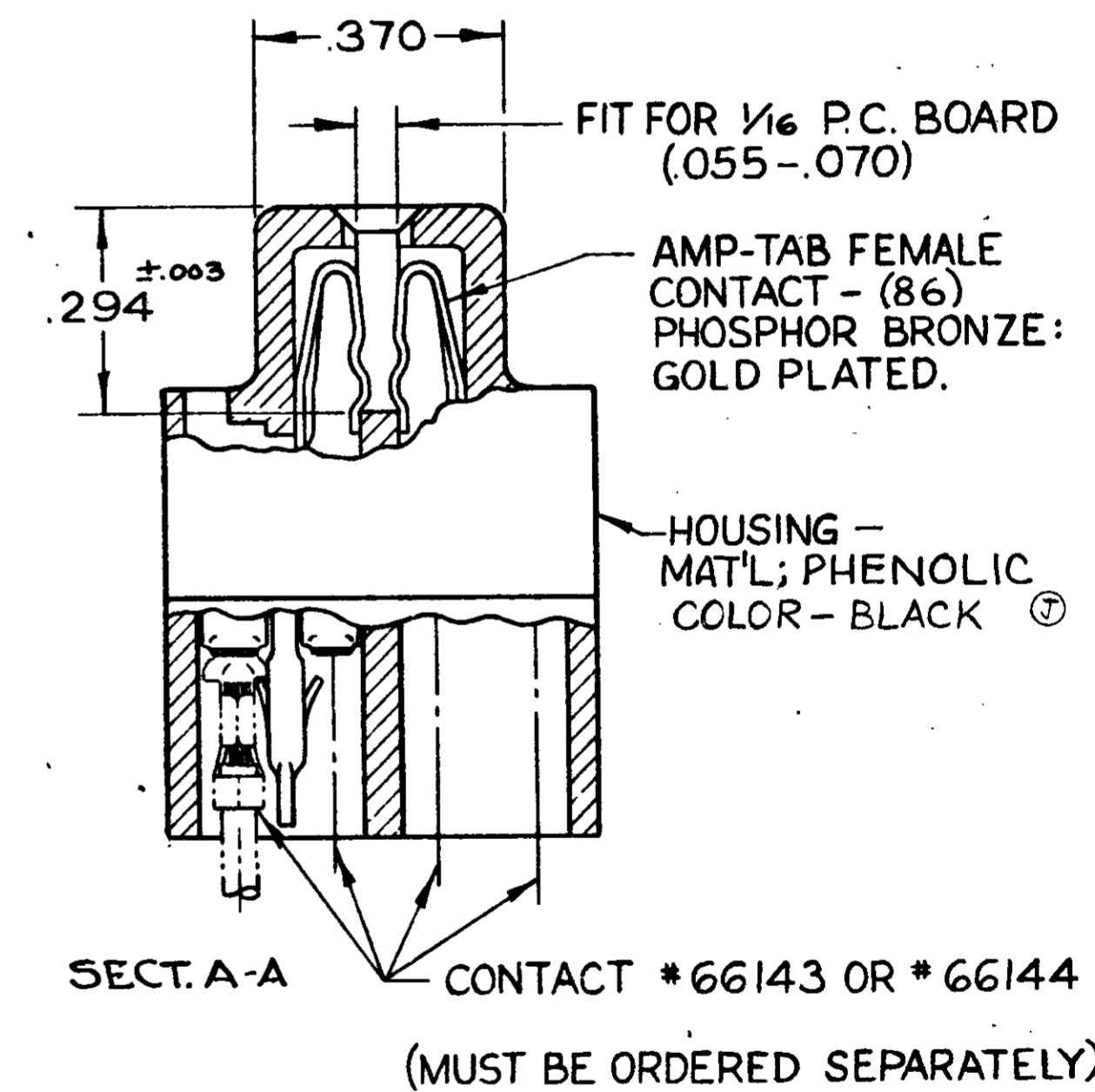
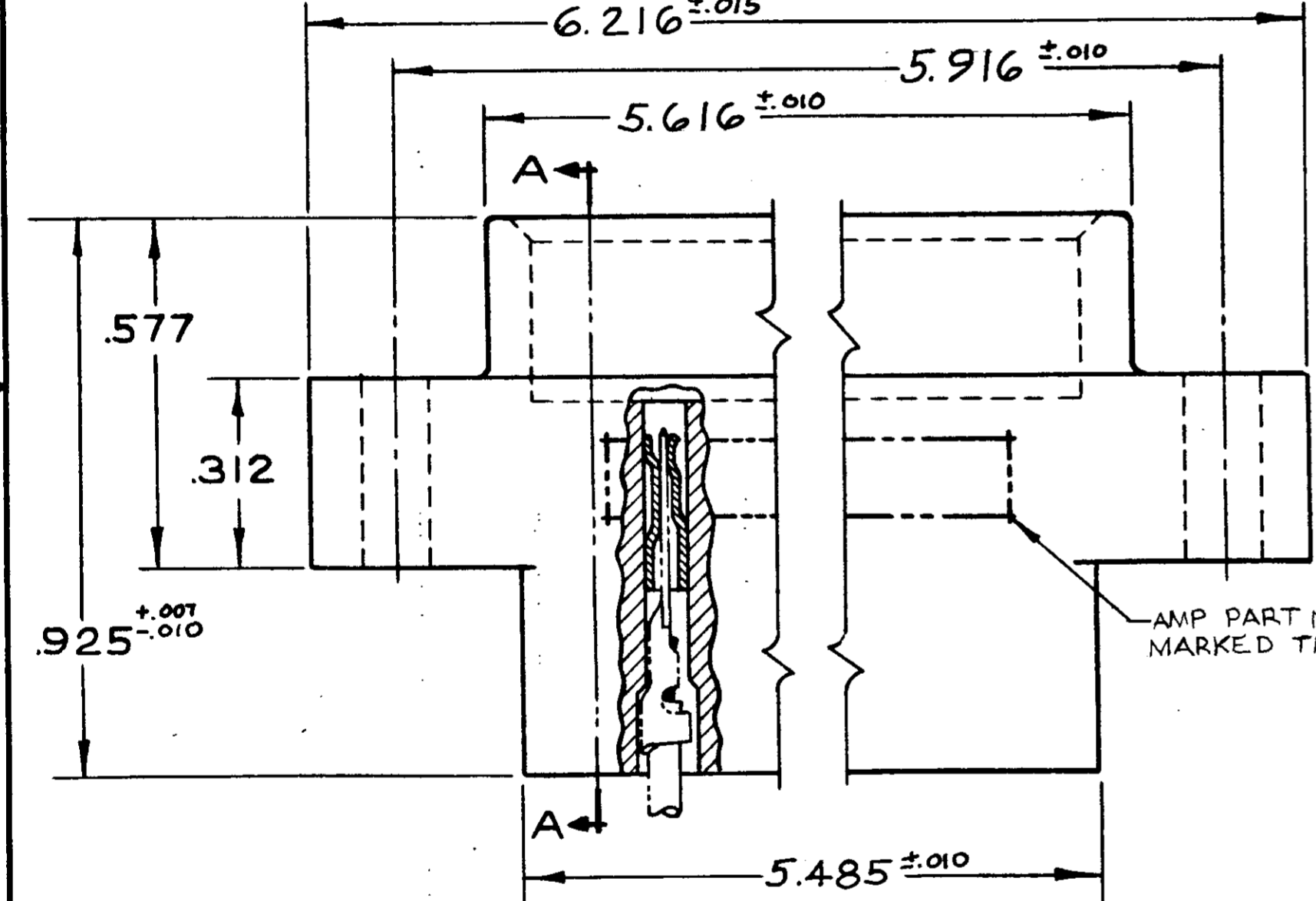
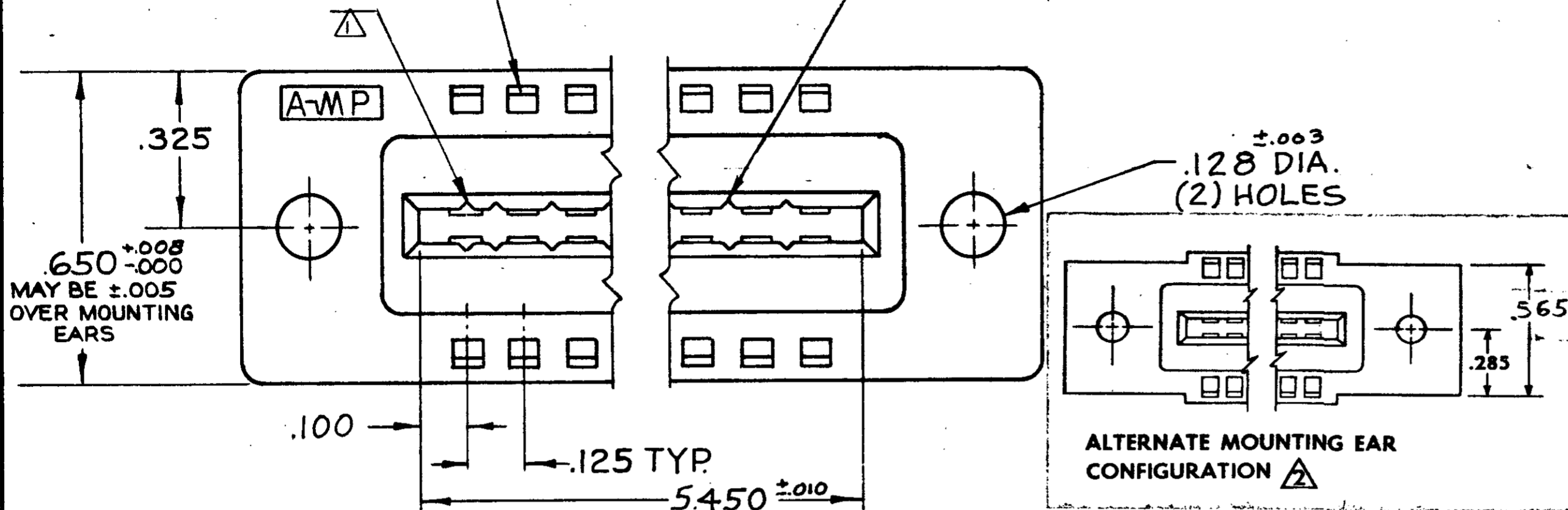
© 1964 BY AMP INCORPORATED. ALL RIGHTS RESERVED. AMP PRODUCTS COVERED BY PATENTS AND/OR PATENTS PENDING. APPROVED PER GOVT CONTRACT NO.

LOCATION FOR AMP-TAB FEMALE CONTACT

LOCATION FOR KEYING PLUG 582501 -1 (FOR INTER-CONTACT KEYING)

REVISIONS				
ZONE	LTR	DESCRIPTION	DATE	APPROVED
G		REDRAWN 1/2 CHANGE, WAS SHOWN ON DWG. 582714-ECN 1265	3-13-67	JA D.H.
H		REVISED ECN 2334	6-11-70	D.H.
J		REVISED 2334 AMEND. #1	9-3-70	D.H.
K		REVISED 6126 M.S.	7-26-79	
L		REVISED 8294 M.S.	1-83	
M		REVISED PER 0600-3683-95 TA	10-95	J. WARNER
N		ECO-08-020973	11-08	JW

582726-1 I. AS SHOWN.



▲ GROOVES FOR "ON CONTACT KEYING" AMP'S OPTION DEPENDING ON METHOD OF MANUFACTURE FOR "ON CONTACT" KEYING USE KEYING PLUG P/N 583487-1. (MUST BE ORDERED SEPARATELY.)
 ▲ MOUNTING EAR CONFIGURATION AMP'S OPTION DEPENDS ON METHOD OF MANUFACTURE.

UNLESS OTHERWISE SPECIFIED		CONTRACT NO.		AMP INCORPORATED HARRISBURG, PENNSYLVANIA	
DIMENSIONS ARE IN INCHES		DR <i>J. Asich</i>	DATE 3-13-67	AMP TRADEMARK	
FRACTIONS ±	DECIMALS ±.005	CHK <i>S.S. Heide</i>	DATE 3/21/67	NAME 43 POSITION AMP-TAB CONNECTOR .125 CENTERS QUAD	
MATERIAL		DSGN ENGR	DATE	SIZE C	
HEAT TREAT		APPD <i>S. Kaufman</i>	DATE 3/21/67	CODE IDENT NO 00779	NUMBER 582726
FINISH		DSGN APPD <i>R. Showman</i>	DATE 3/21/67	REV N	
SEE CALLOUT		OTHER APPD		SCALE 4 -	WT CALC ACTUAL SHEET

CIRCUIT CAVITY IDENTIFICATION MARKING PER MIL-C-21097
 MARK FIRST 5 POSITIONS NEXT 5 POSITIONS PLAIN

3. LASER MARKING ACCEPTABLE FOR ALL MARKING

AMP INFO
 LOC PRINT DIST
 DF FQ

NUMBER CUS. 582726

单击下面可查看定价，库存，交付和生命周期等信息

[>>TE Connectivity\(泰科\)](#)