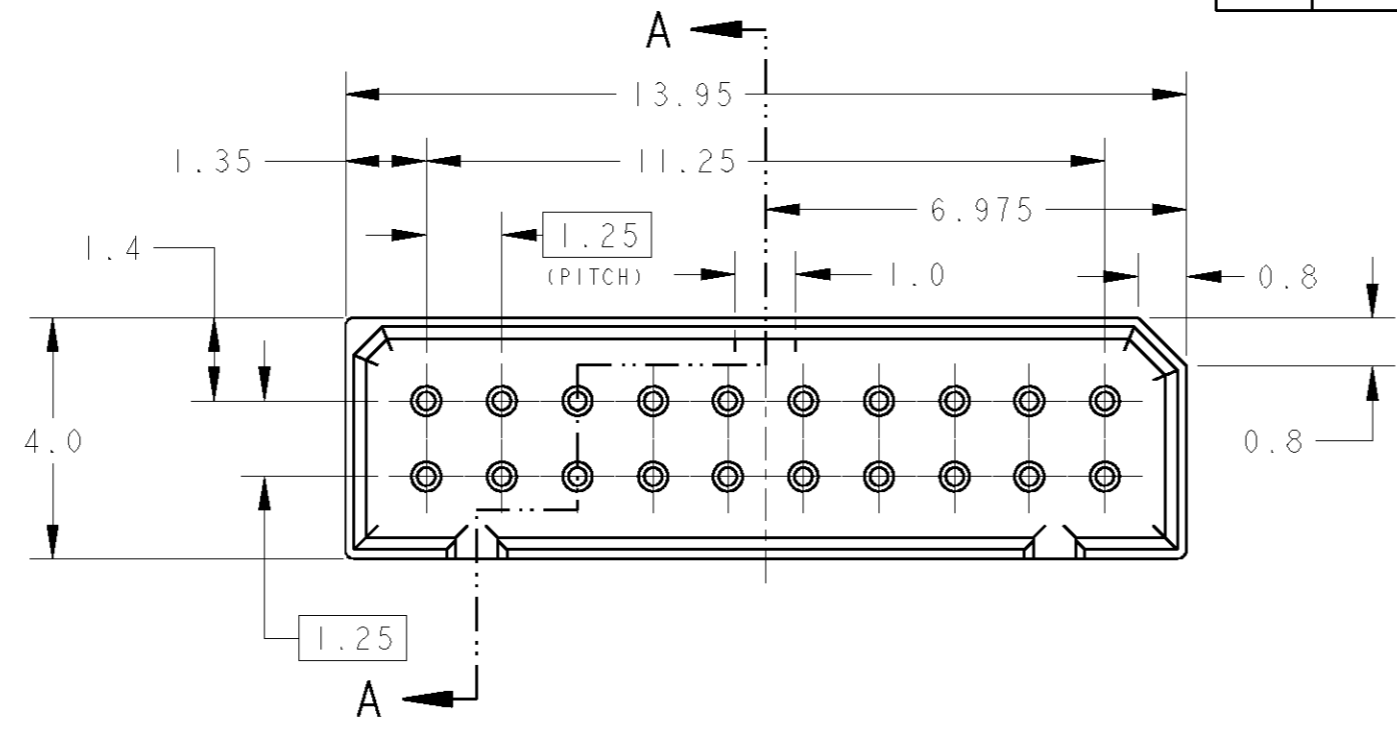


THIS DRAWING IS UNPUBLISHED. RELEASED FOR PUBLICATION 2001
 © COPYRIGHT 2001 BY TYCO ELECTRONICS CORPORATION. ALL RIGHTS RESERVED.

LOC	DIST	REVISIONS					
		P	LTR	DESCRIPTION	DATE	DWN	APVD
J	-	0		RELEASED (FJ00-1952-01)	03SEP2001	H. J	I. H
		A		REVISED(FJ00-2583-01)	05NOV2001	M. K	I. H

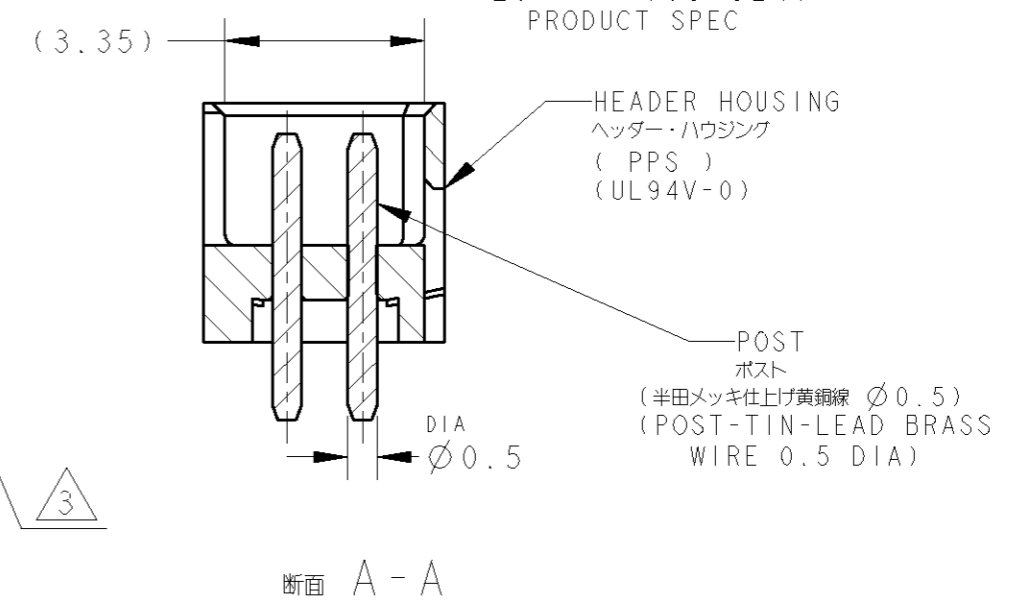
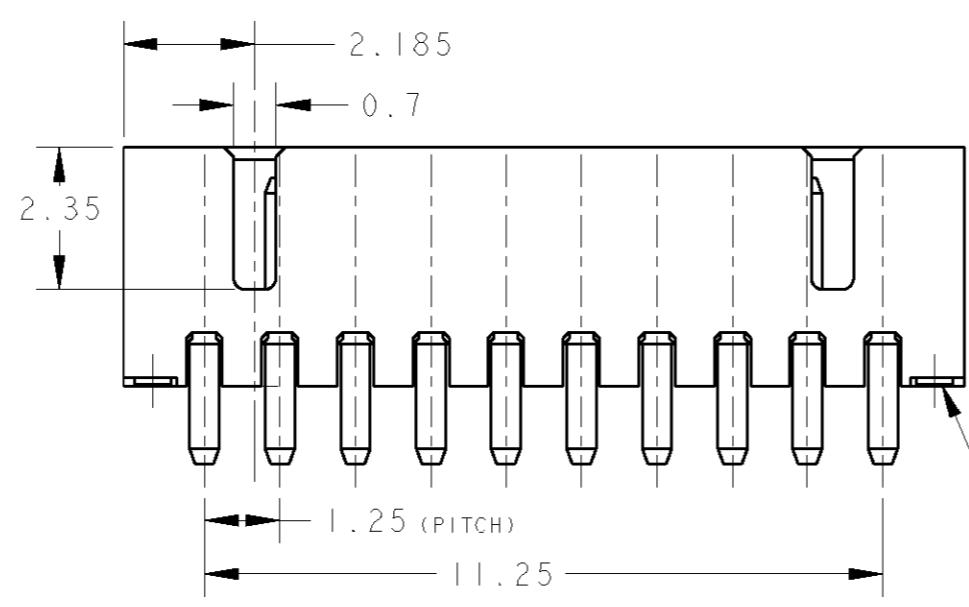
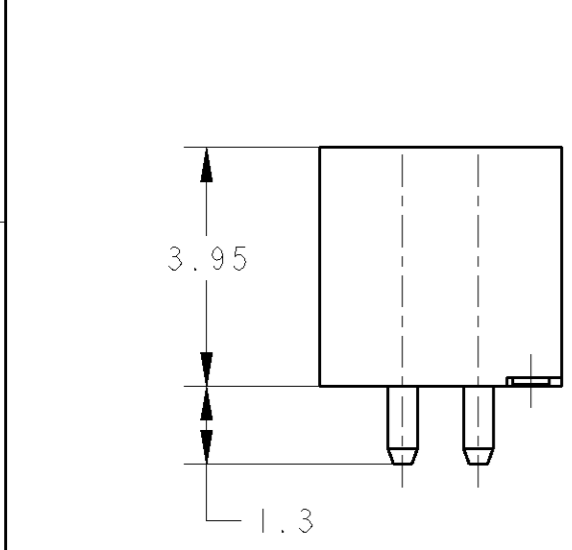


-1: AS SHOWN
本図

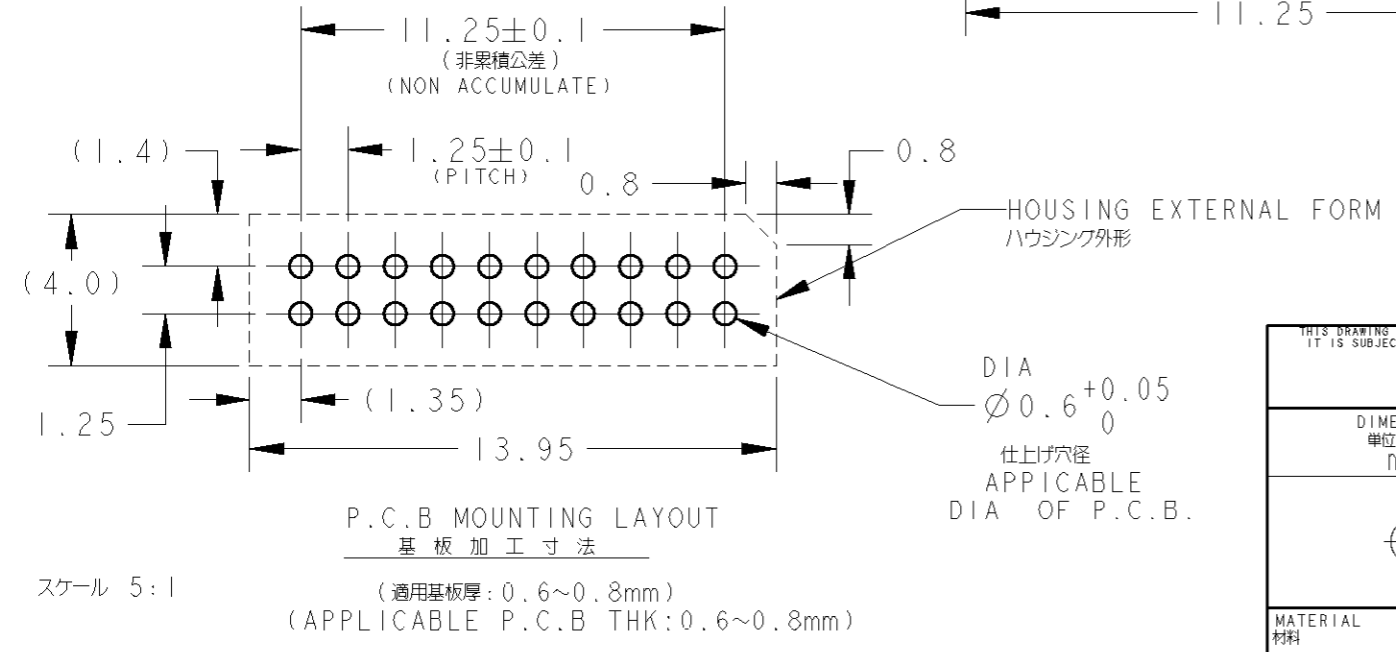
1. 嵌合相手製品型番及び嵌合時寸法は表-1参照のこと。
 MATING COUNTER PART NUMBER AND DIMENSIONS AFTER MATING: SEE TABLE 1.
 嵌合時寸法: 幅 (mm) × 高さ (mm)
 DIMENSIONS AFTER MATING: WIDE (mm) × HEIGHT (mm)

POST HDR ASS'Y	DIP TYPE
	1565388-1
嵌合相手側コネクタ MATING COUNTER CONN RECE HDR ASS'Y	ハウジング高さ寸法 HOUSING HEIGHT
1565387-1	4.0(幅)×5.0(高さ)
5-174905-0	4.6(幅)×6.9(高さ)

TABLE 1
2. 製品規格: 108-5246
PRODUCT SPEC



△ 基板位置決め用ボス切断跡。
CUT MARK OF POSITIONER BOSS.
4.5-174643-0の同等品。
SAME AS 5-174643-0



THIS DRAWING IS A CONTROLLED DOCUMENT FOR TYCO ELECTRONICS CORPORATION IT IS SUBJECT TO CHANGE AND THE CONTROLLING ENGINEERING ORGANIZATION SHOULD BE CONTACTED FOR THE LATEST REVISION.		DWN H. JO 03SEP2001	AMP Tyco Electronics AMP K.K. Kawasaki, Japan
DIMENSIONS: 単位: 概 mm		CHK M. KIMURA 03SEP2001	
TOLERANCES UNLESS OTHERWISE SPECIFIED: ±0.25		APVD I. HASEGAWA 03SEP2001	NAME 名称 1.25 F-P CONNECTOR (B-TO-B) DOUBLE ROW POST HDR ASSY DIP TYPE
0-PLC ± 1-PLC ± 2-PLC ± 3-PLC ± 4-PLC ± ANGLES ±3°		PRODUCT SPEC 製品規格 108-5246	
MATERIAL 材料 AS SHOWN 図中参照		APPLICATION SPEC 取付適用規格 -	SIZE A3
FINISH 仕上 AS SHOWN 図中参照		WEIGHT 0.288 g	CAGE CODE 00779
		CUSTOMER DRAWING	DRAWING NO. 1565388
		SCALE 尺度 8:1	RESTRICTED TO -
		SHEET 1 OF 1	REV A

单击下面可查看定价，库存，交付和生命周期等信息

[>>TE Connectivity\(泰科\)](#)