

4

3

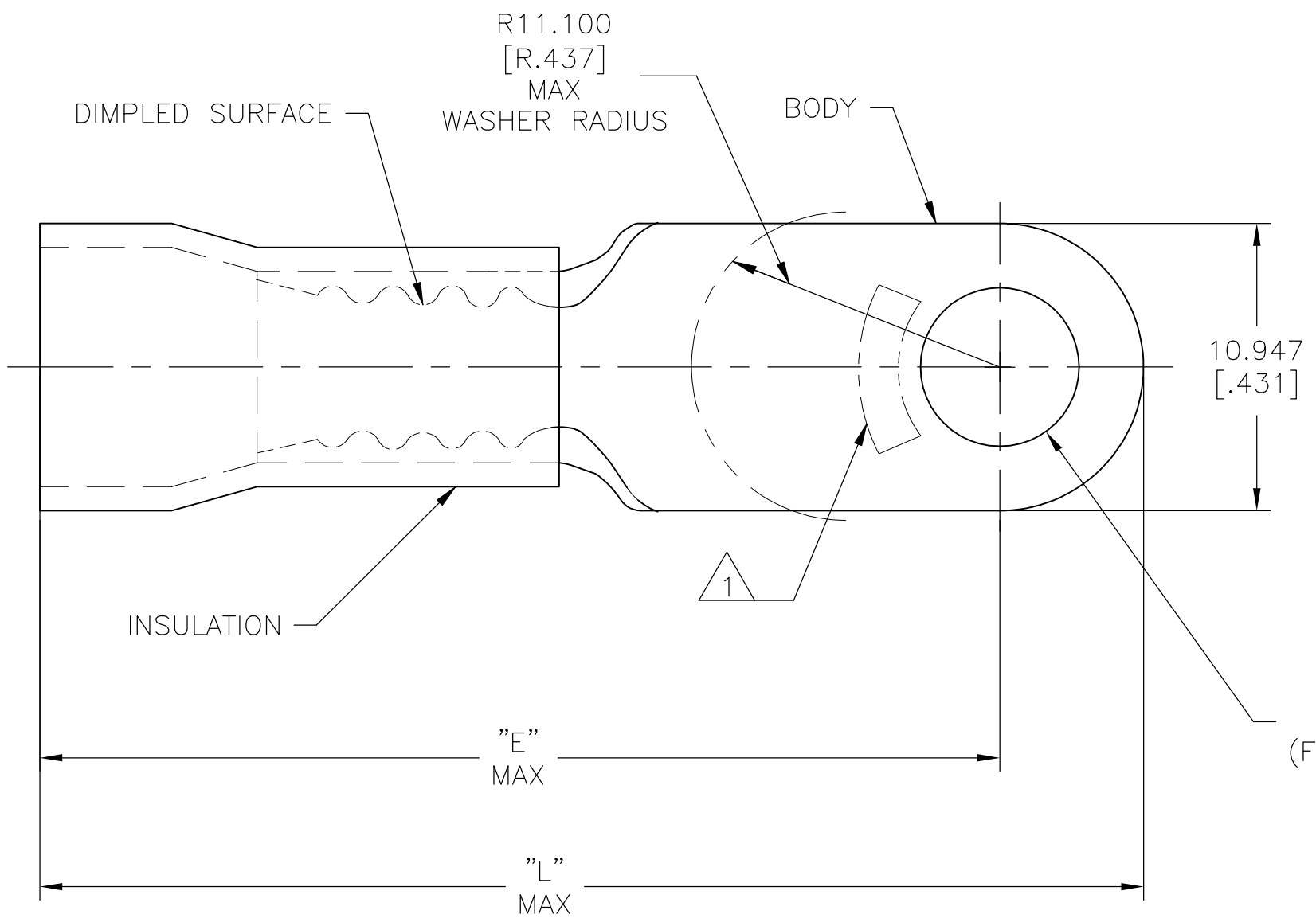
2

1

THIS DRAWING IS UNPUBLISHED. RELEASED FOR PUBLICATION  
 © COPYRIGHT - TE Connectivity Ltd. ALL RIGHTS RESERVED.


REVISIONS				
P	LTR	DESCRIPTION	DATE	APVD
H1		REVISED PER ECO-11-002228	11FEB11	HMR DR
H2		REVISED PER ECO-17-014338	09APR2018	RS DR

<b>AMP</b> WIRE RANGE	 FILE E13288	 LR7189 Certified
8 AWG STRANDED	8 AWG STRANDED	8 AWG STRANDED



- 1 STAMP AMP 8\* LOCATE APPROX AS SHOWN
- 2 BODY MATERIAL THK 0.991±0.051 [.039±.002]
- 3 TAPE ITEMS ARE ON 30.480 [1.200] CENTERS
- 4 BODY: COPPER PER ASTM B-152, INSULATION: PVC
- 5 BODY: TIN PLATE PER ASTM B-545 INSULATION COLOR-RED
- 6 NOTE DELETED

9.144 [.360]	34.392 [1.354]	39.649 [1.561]	500	55621-1 ON TAPE	55621-2
			100	LOOSE PIECE	55621-1
WIRE INSULATION OD MAX	"E"	"L"	QTY	PACKAGE TYPE	PART NO

MAX RECOMMENDED OPERATING TEMPERATURE: 105°C [221°F]	THIS DRAWING IS A CONTROLLED DOCUMENT.		DWN S.S. GOULDEN 10-12-93	 TE Connectivity Ltd.	
	VOLTAGE RATING: 600 V MAX	DIMENSIONS: mm [INCHES]	CHK R. HERSEY 10-12-93		
CIRCULAR MIL AREA: 6.64-10.54mm² [13,100-20,800] STRANDED	TOLERANCES UNLESS OTHERWISE SPECIFIED: 0 PLC ± - 1 PLC ± - 2 PLC ± - 3 PLC ± 0.127 [.005] 4 PLC ± - 4 PLC ANGLES ± -	APVD M ELLIS 10-12-93	PRODUCT SPEC UL486 A-B	TERMINAL, RING TONGUE, PLASTI-GRIP, WIRE SIZE: 8 AWG	
MATERIAL 4	FINISH 5	APPLICATION SPEC 114-2161	WEIGHT	SIZE A3	CAGE CODE 00779
CUSTOMER DRAWING			DRAWING NO C-55621	RESTRICTED TO	REV H2
			SCALE 4:1	SHEET 1 of 1	

单击下面可查看定价，库存，交付和生命周期等信息

[>>TE Connectivity\(泰科\)](#)