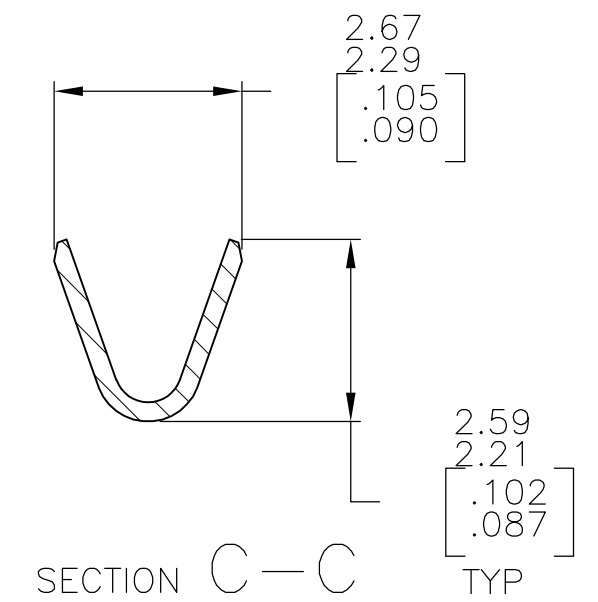
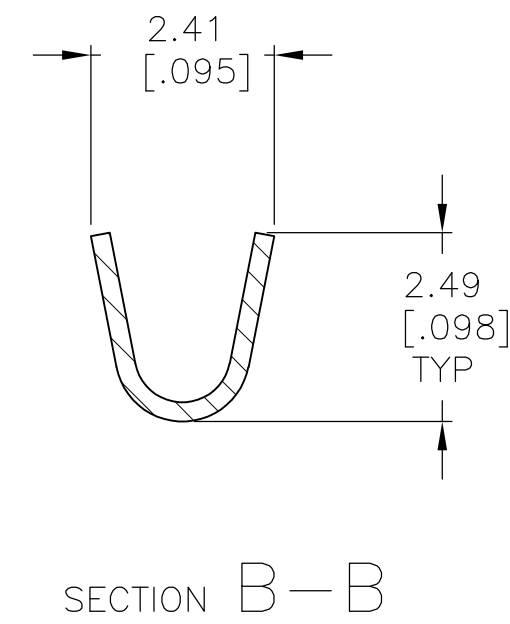
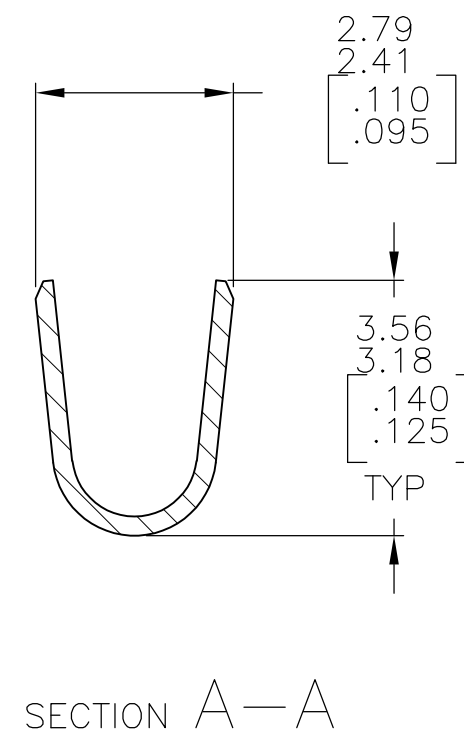
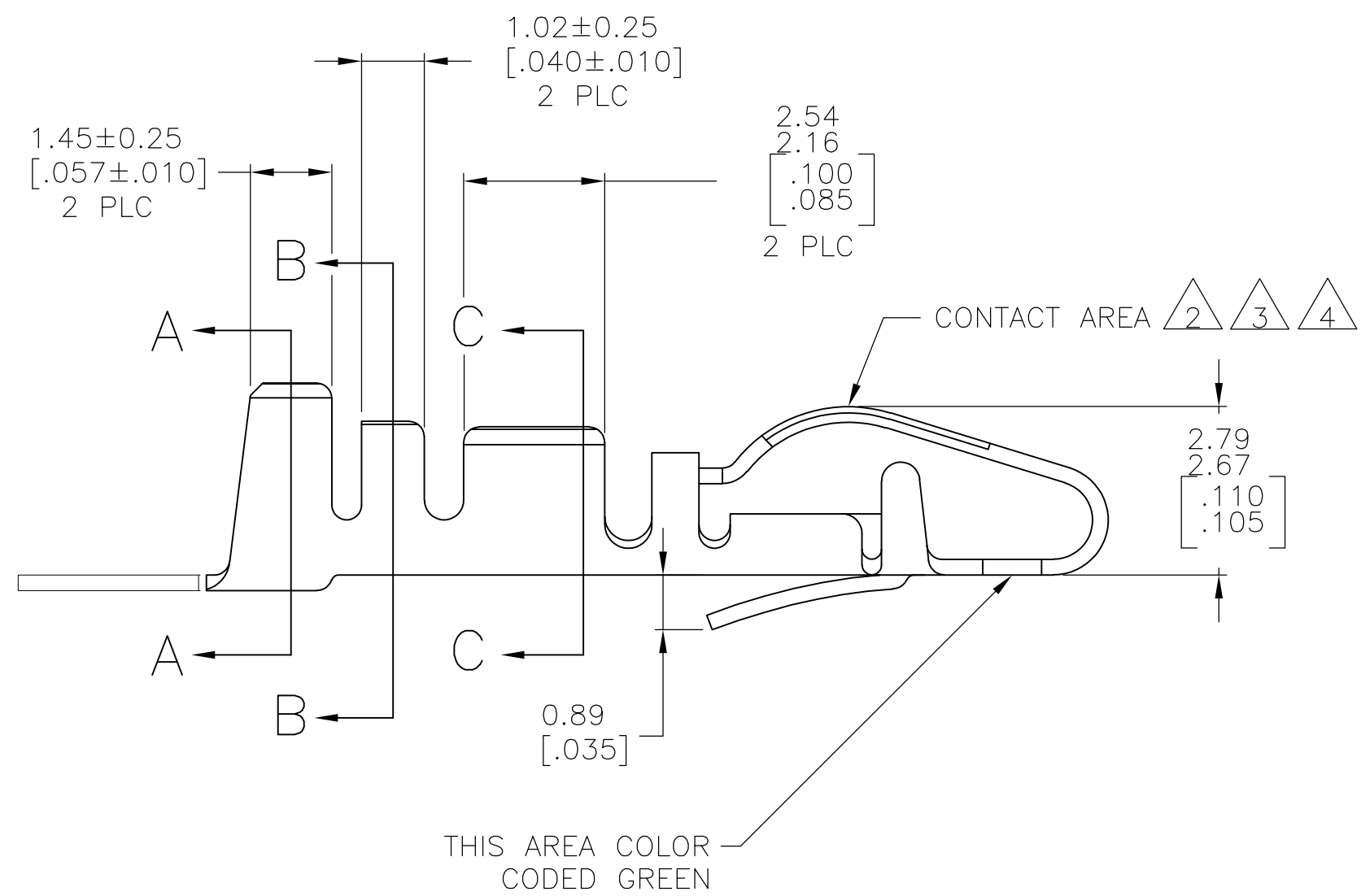
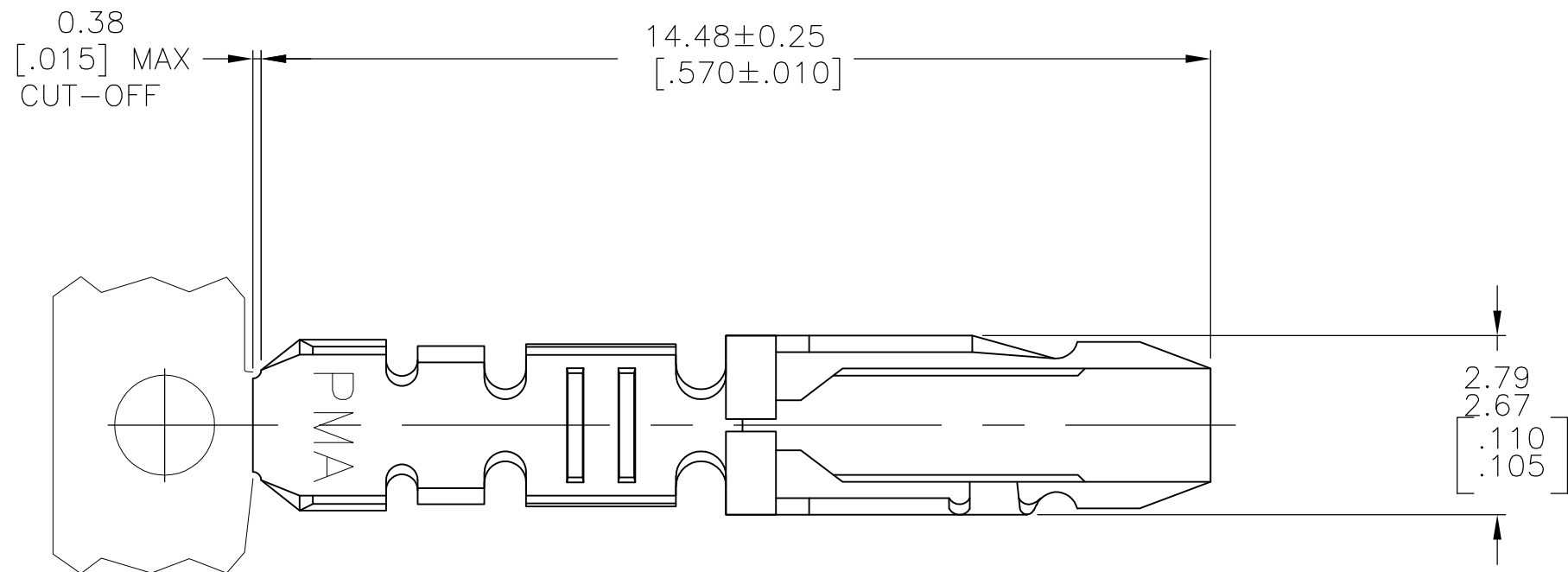


THIS DRAWING IS UNPUBLISHED. RELEASED FOR PUBLICATION
 © COPYRIGHT BY TYCO ELECTRONICS CORPORATION. ALL RIGHTS RESERVED.

LOC	DIST	REVISIONS			
P	LTR	DESCRIPTION	DATE	DWN	APVD
J		ECO-05-004683	19JAN06	BSV	MM
J1		REVISED PER ECO-09-021510	12SEP09	KK	AEG



- 1 PHOSPHOR BRONZE.
- 2 2.54µm[.000100] MIN TIN-LEAD OVER 1.27µm[.000050] MIN NICKEL.
- 3 0.76µm[.000030] MIN GOLD IN CONTACT AREA, GOLD FLASH ON REMAINDER OF CONTACT, BOTH OVER 1.27µm[.000050] MIN NICKEL.
- 4 0.38µm[.000015] MIN GOLD IN CONTACT AREA OVER 1.27µm[.000050] MIN NICKEL.
- 5. INSULATION RANGE: 1.40-2.03[.055-.080] DIA.
- 6 2.54µm[.000100] MIN MATTE TIN PLATE OVER 1.27µm[.000050] MIN NICKEL.
- 7 OBSOLETE PARTS: OBSOLETE CIS STREAMLINING PER D.RENAUD/D.SINISI

OBSOLETE	6	5-583989-2
	4	583989-4
	3	583989-3
OBSOLETE	2	583989-2
	FINISH	PART NUMBER

THIS DRAWING IS A CONTROLLED DOCUMENT.		DWN D.HARDY 28 AUG 97	Tyco Electronics Corporation Harrisburg, Pa 17105-3608	
DIMENSIONS: mm		CHK R.STONE 04 SEP 97	NAME CONTACT, 22-18 AWG, AMP-LEAF TM	
TOLERANCES UNLESS OTHERWISE SPECIFIED:		APVD N.SCHROLL 05 SEP 97	SIZE A2 CAGE CODE 00779 DRAWING NO C=583989 RESTRICTED TO	
0 PLC ± -		PRODUCT SPEC -	SCALE 10:1 SHEET 1 OF 1 REV J1	
1 PLC ± -		APPLICATION SPEC -		
2 PLC ± 0.13 [.005]		WEIGHT -		
3 PLC ± -		CUSTOMER DRAWING		
4 PLC ± -				
ANGLES ± -				
FINISH SEE TABLE				

单击下面可查看定价，库存，交付和生命周期等信息

[>>TE Connectivity\(泰科\)](#)