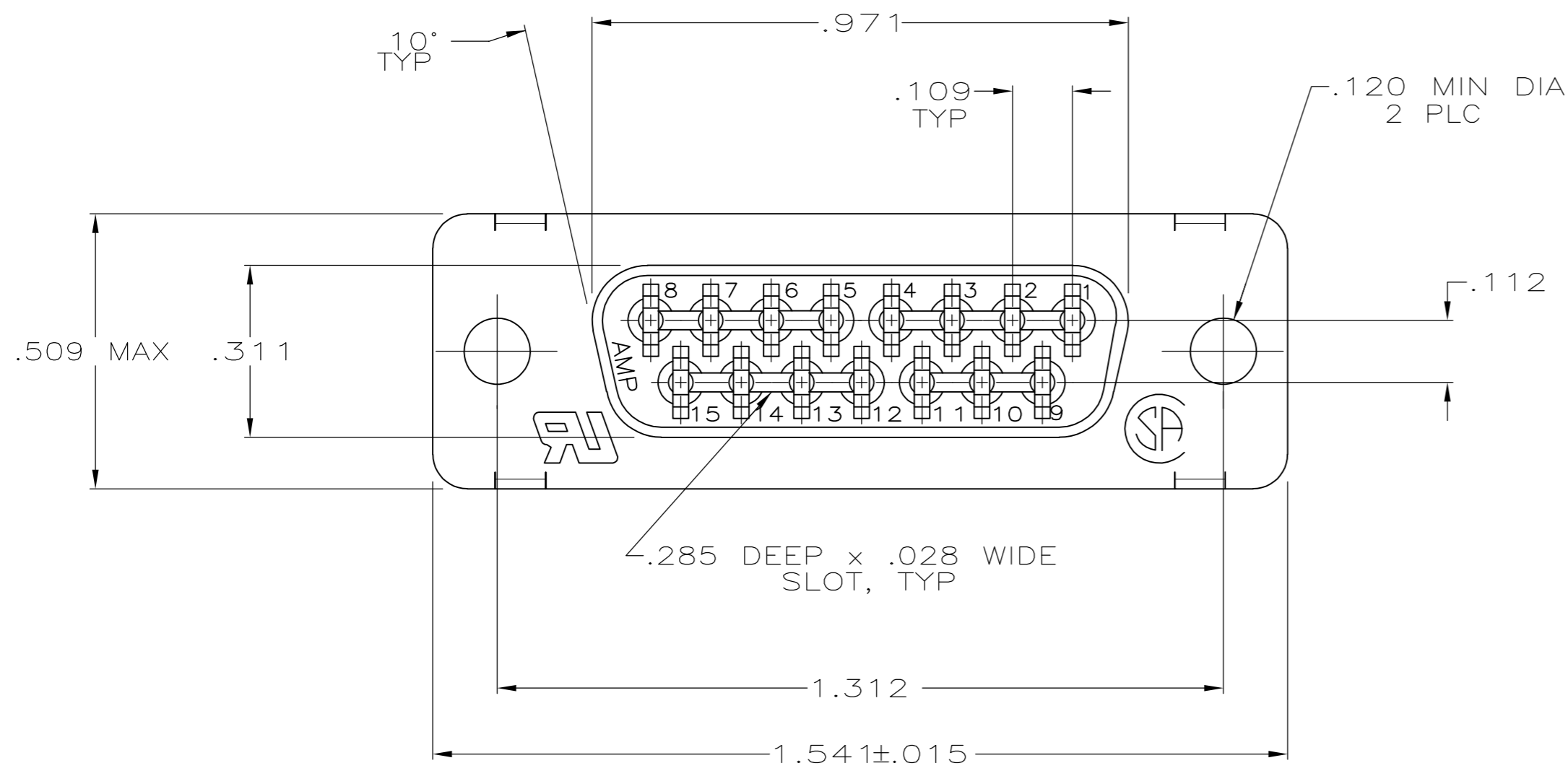
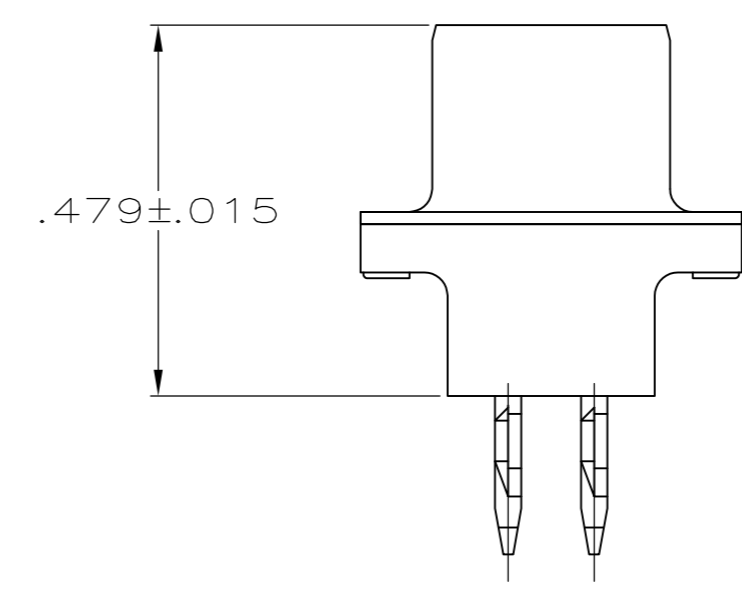
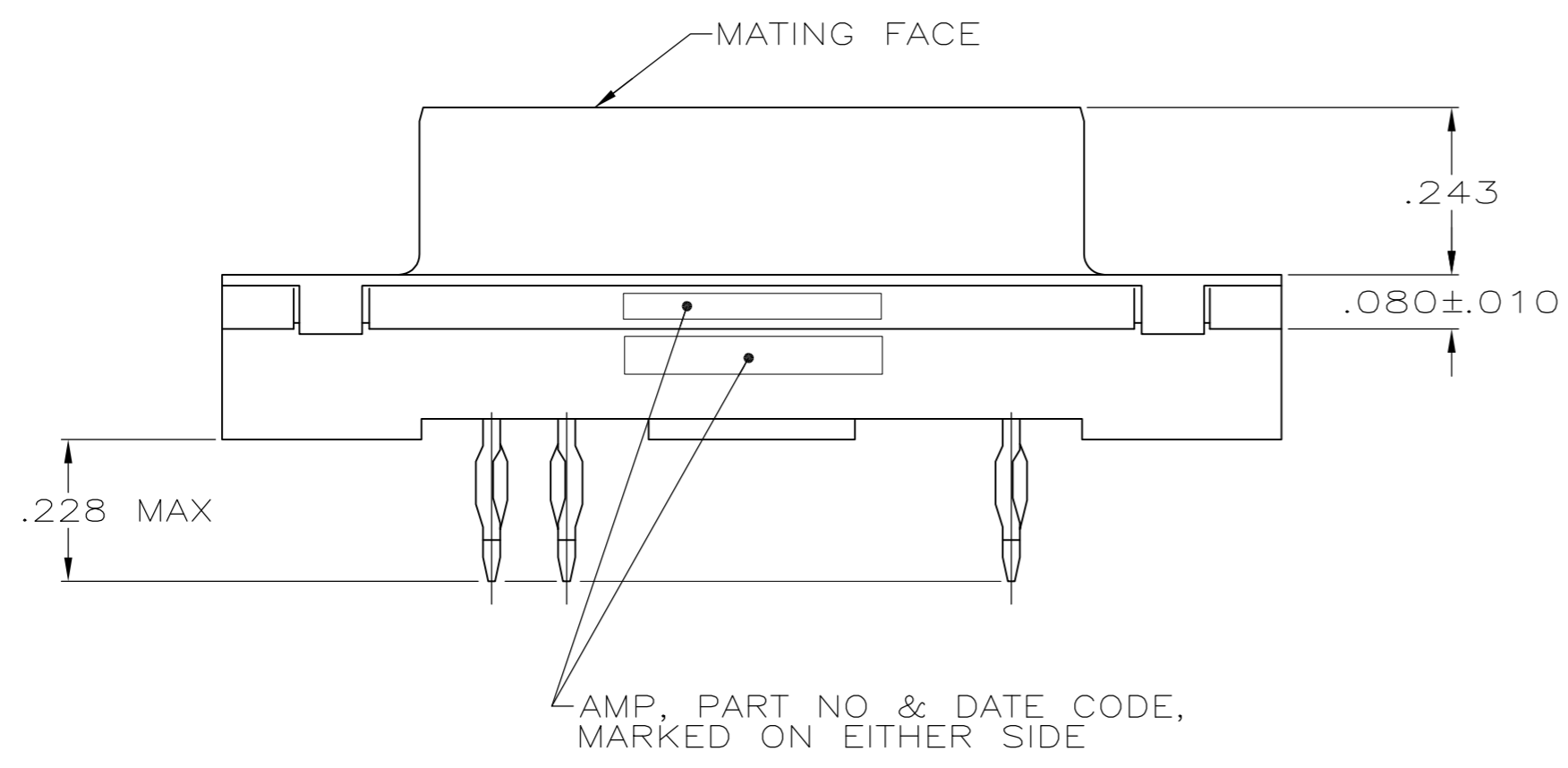


THIS DRAWING IS UNPUBLISHED. RELEASED FOR PUBLICATION  
 © COPYRIGHT - By - ALL RIGHTS RESERVED.

LOC		DIST		REVISIONS			
P	LTR	DESCRIPTION	DATE	DWN	APVD		
GP	00	K	REVISED PER ECO-12-000090	30JAN2012	CJV	SLB	



- 1 FOR USE WITH .093 MINIMUM THICK PRINTED CIRCUIT BOARD. REFER TO APPLICATION SPECIFICATION FOR PRINTED CIRCUIT BOARD LAYOUT DIMENSIONS AND FINISH RECOMMENDATIONS.
- 2 DUPLEX PLATED: GOLD FLASH ON MATING SURFACE, BRIGHT TIN OR BRIGHT TIN LEAD ON COMPLIANT PIN, ALL OVER NICKEL.
- 3 .000030 MIN GOLD IN MATING AREA.  
 .000100 MIN TIN OR TIN-LEAD ON COMPLIANT PIN.  
 ALL OVER .000050 MIN NICKEL.  
 OR  
 GOLD FLASH OVER PALLADIUM NICKEL.  
 .000030 MIN TOTAL IN MATING AREA.  
 .000100 MIN TIN OR TIN-LEAD ON COMPLIANT PIN.  
 ALL OVER .000050 MIN NICKEL.
- 4 PLATED .0002-.0004 BRIGHT TIN



SUPSD BY 747140-2	3	747140-2
	2	747140-1
	CONTACT FINISH	PART NUMBER

THIS DRAWING IS A CONTROLLED DOCUMENT. DIMENSIONING AND TOLERANCING PER ASME Y14.5M-2009		DWN D.HARDY 03-31-94	<b>STE</b> TE Connectivity	
DIMENSIONS: INCHES		CHK R.STONE 04-26-94		
TOLERANCES UNLESS OTHERWISE SPECIFIED:		APVD M.PERCHERKE 04-26-94	NAME	
0 PLC ± -		PRODUCT SPEC	RCPT ASSY, SIZE 2, 15 POSN, AMPLIMITE™	
1 PLC ± -		APPLICATION SPEC	W/ ACTION PIN, HDP, MDM PROFILE, CONTACTS & METAL SHELL	
2 PLC ± -		108-40014	SIZE	CAGE CODE
3 PLC ± .005		114-40026 1	A2	00779
4 PLC ± -		WEIGHT	DRAWING NO	
ANGLES ± 2°		CUSTOMER DRAWING	C=747140	
FINISH		SCALE	SHEET	
CONTACTS: SEE TABLE		4:1	1 OF 1	
SHELL: 1		REV		K
MATERIAL: HOUSING: FLAME RETARDANT 94V-0 RATED THERMOPLASTIC, COLOR: BLACK, CONTACTS: COPPER ALLOY, SHELL: CARBON STEEL				

单击下面可查看定价，库存，交付和生命周期等信息

[>>TE Connectivity\(泰科\)](#)