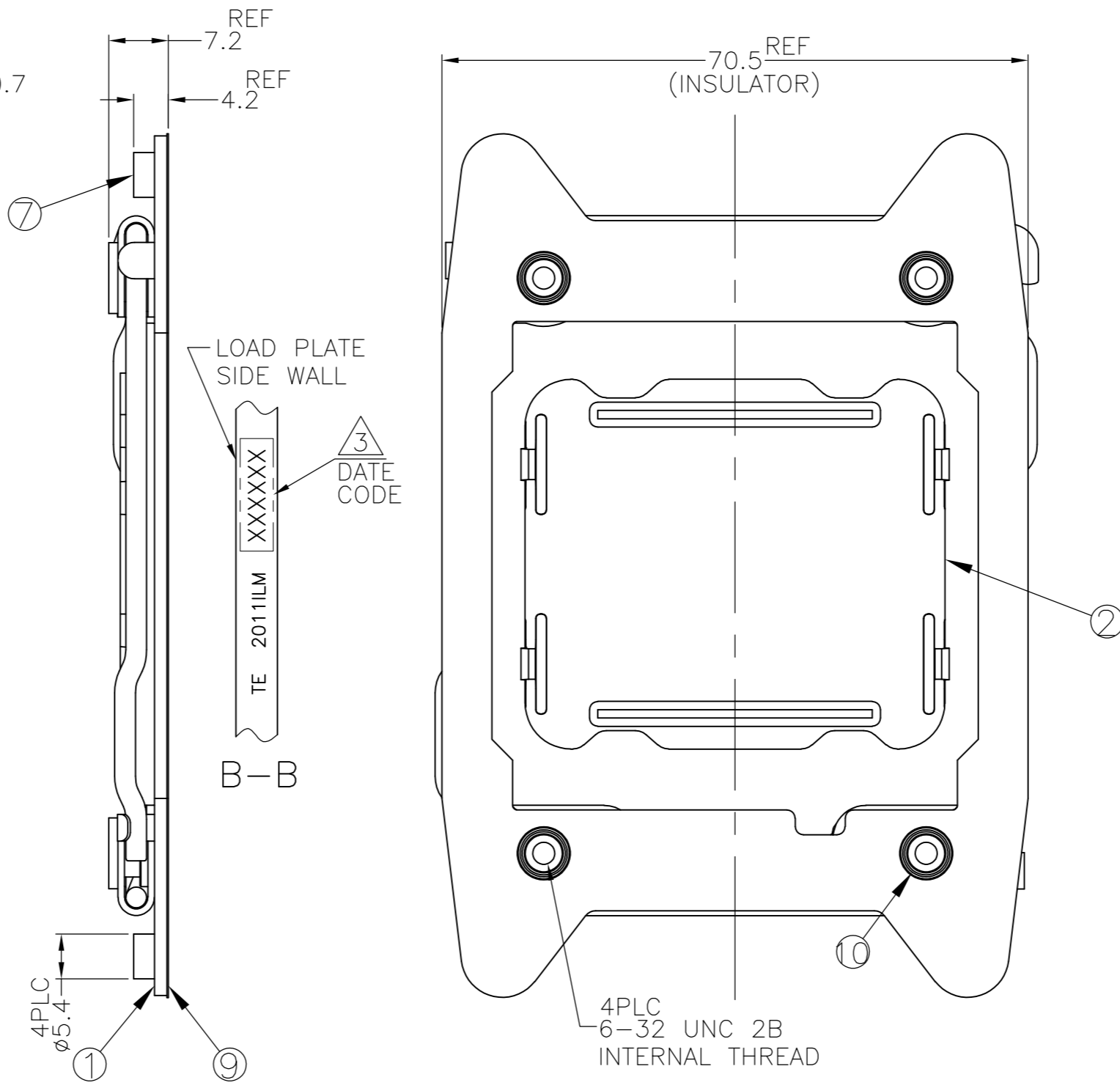
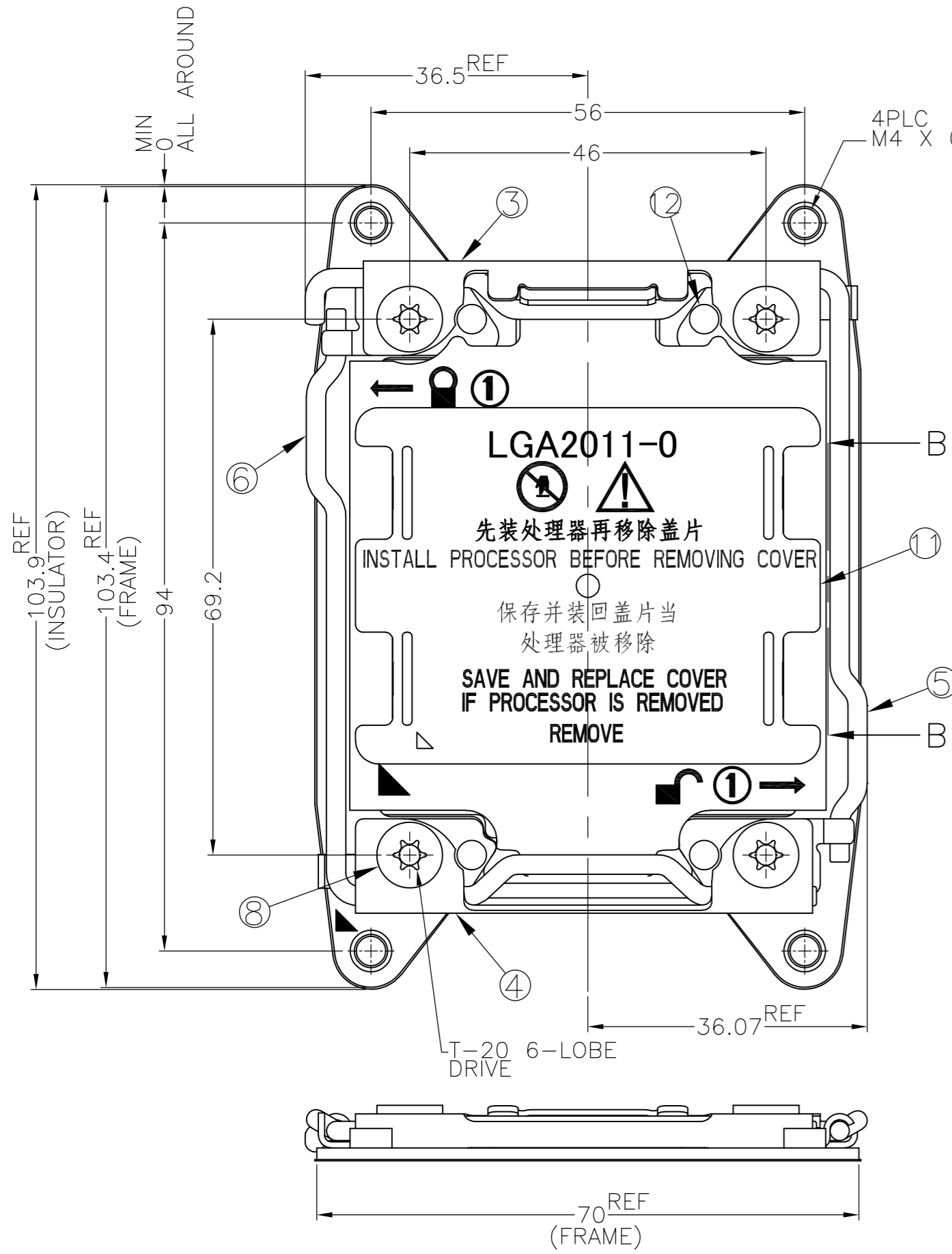


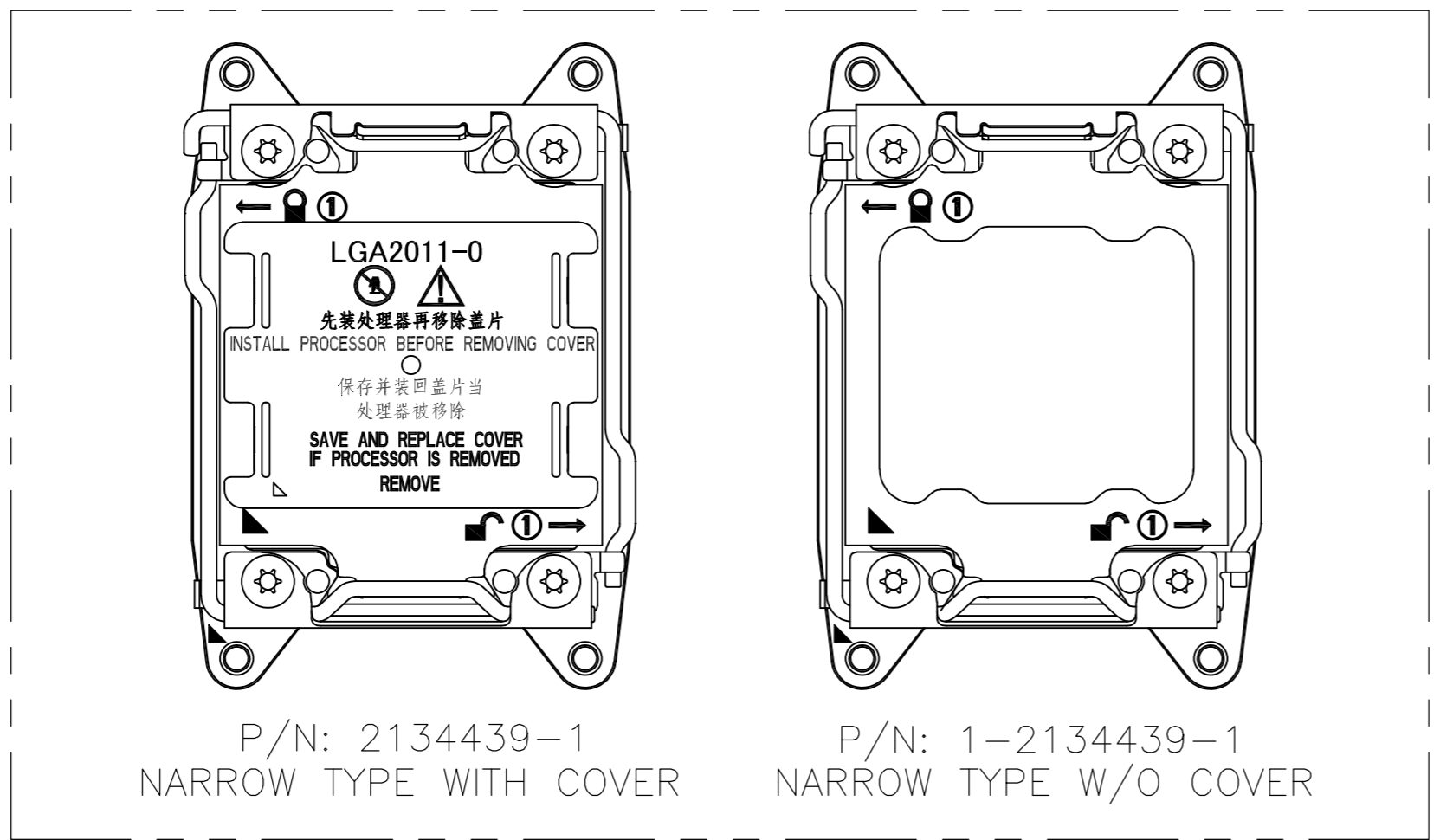
THIS DRAWING IS UNPUBLISHED. RELEASED FOR PUBLICATION APR , 2011.
 © COPYRIGHT 2011 By Tyco Electronics Japan G.K. ALL RIGHTS RESERVED.

LOC	DIST	REVISIONS				
		P	LTR	DATE	DWN	APVD
J	-	E	REVISED	28JUN'12	J.C	T.N



1. MATERIAL
- ① FRAME: STAINLESS STEEL
 - ② LOAD PLATE: STAINLESS STEEL
 - ③ HINGE CLEVIS: STAINLESS STEEL
 - ④ ACTIVE CLEVIS: STAINLESS STEEL
 - ⑤ HINGE LEVER: STAINLESS STEEL, 2.5 DIA
 - ⑥ ACTIVE LEVER: STAINLESS STEEL, 2.5 DIA
 - ⑦ HS STUD: STAINLESS STEEL
 - ⑧ CAPTIVE NUT: CARBON STEEL, FINISH: NI PLATING
 - ⑨ INSULATOR: POLYCARBONATE FILM PLUS ACRYLIC ADHESIVE LAYER
 - ⑩ CAPTIVE NUT COLLAR: CARBON STEEL, FINISH: NI PLATING
 - ⑪ DUST COVER: THERMO-PLASTIC, UL94V-0, BLACK
 - ⑫ RIVET: STAINLESS STEEL
2. APPLICABLE SOCKET P/N: 1554653 SERIES
- △3 INDICATED DATE CODE ON THE LOAD PLATE
 - △4 DO NOT OPEN WITH FORCE FROM OPEN END

P/N: 2134439-1 AS SHOWN
(NARROW TYPE WITH COVER)



WEIGHT(g)	DESCRIPTION	PART NO.
82.9	WIDE TYPE WITH COVER AND LABEL, W/O HS STUD	2134439-4
84.4	WIDE TYPE WITH COVER AND LABEL	2134439-3
80.5	WIDE TYPE W/O COVER	1-2134439-2
84.0	WIDE TYPE WITH COVER	2134439-2
78.5	NARROW TYPE W/O COVER	1-2134439-1
82.0	NARROW TYPE WITH COVER	2134439-1

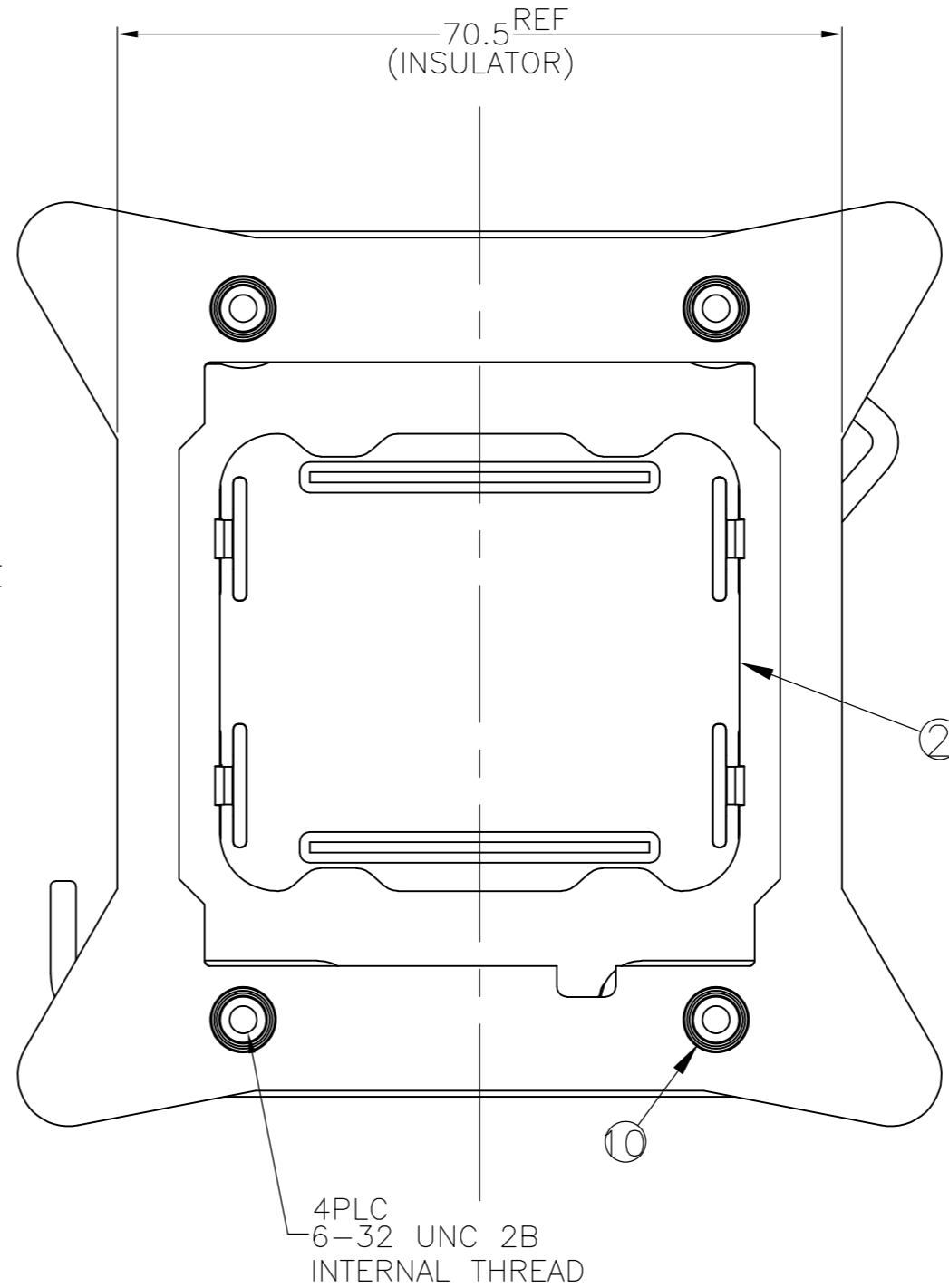
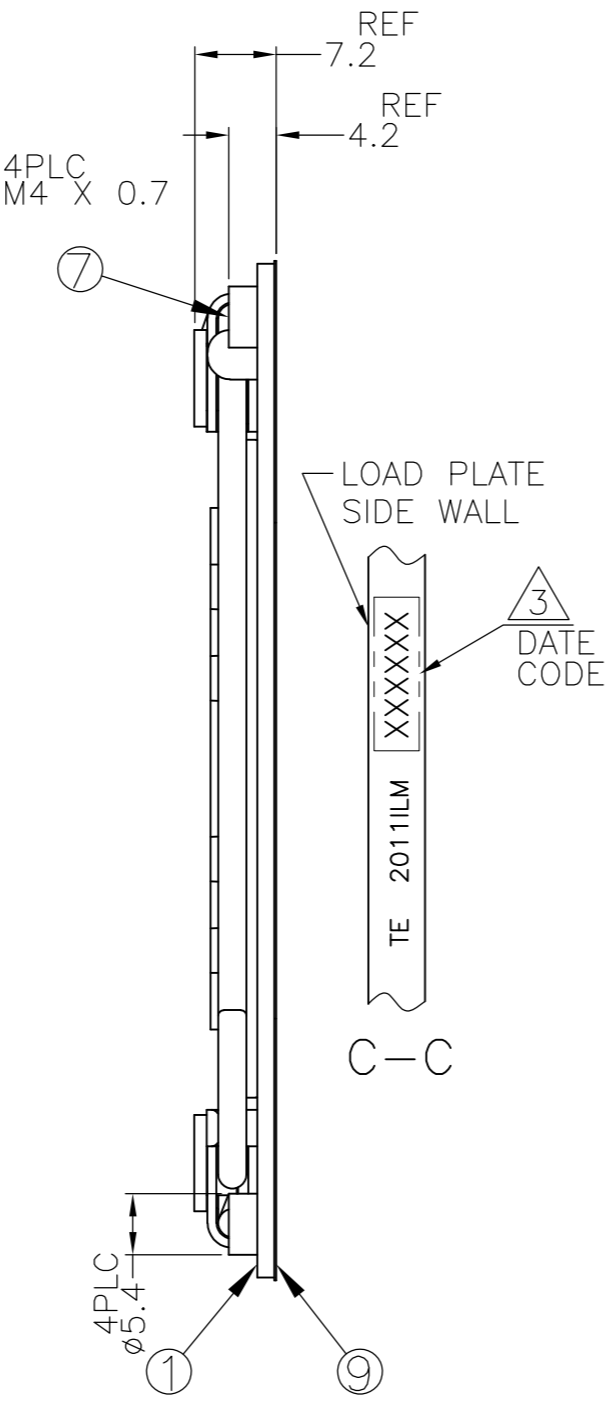
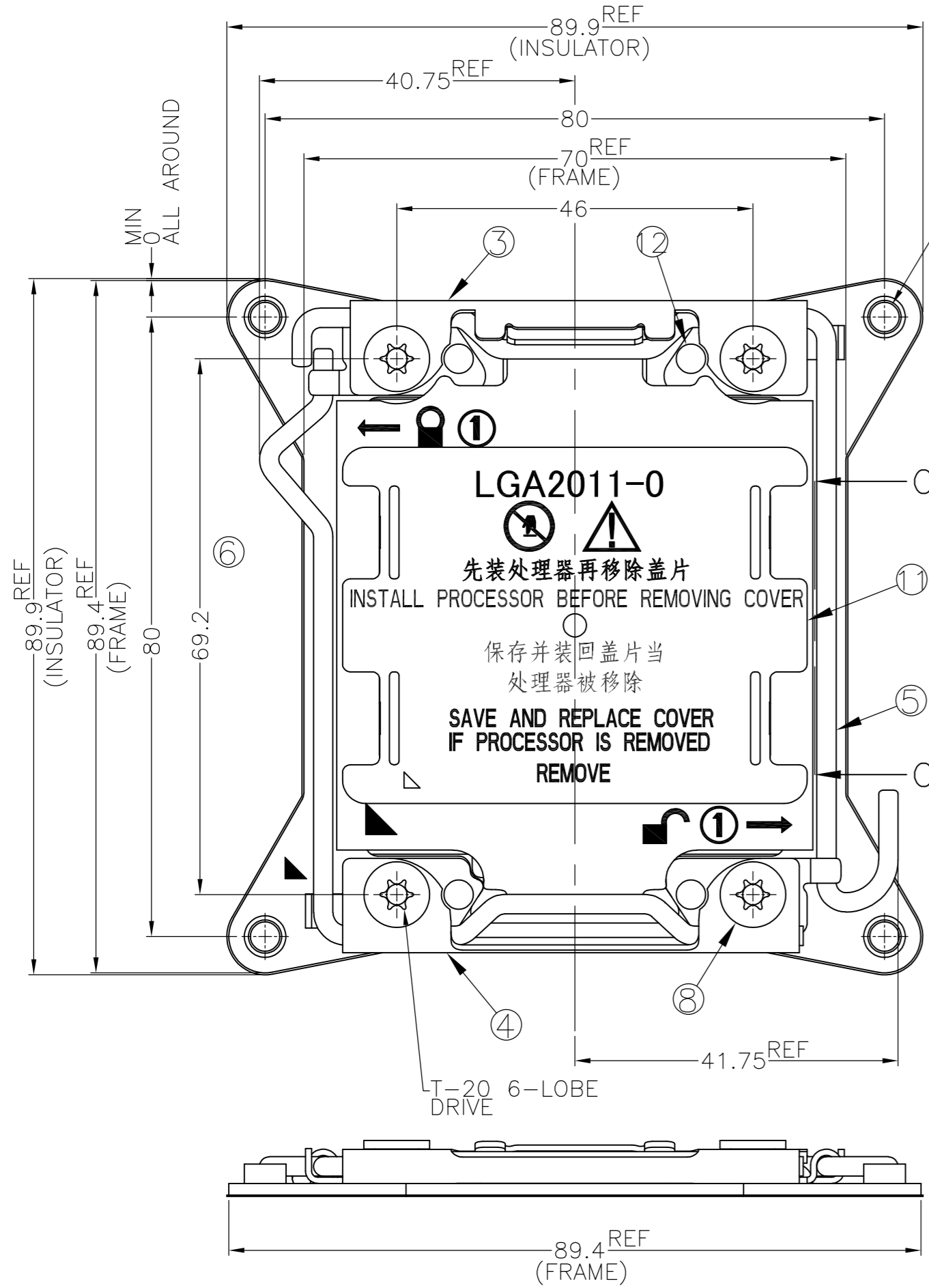
THIS DRAWING IS A CONTROLLED DOCUMENT.

DWN: J.CHEN 16NOV2010	TE Connectivity NAME: ILM ASSY LGA2011			
CHK: H.TAGUCHI 16NOV2010				
APVD: T.NAKASHIMA 16NOV2010				
PRODUCT SPEC: 108-78750				
APPLICATION SPEC: 114-5474	SIZE: A2	CAGE CODE: 00779	DRAWING NO: C=2134439	RESTRICTED TO: -
MATERIAL: 材料	WEIGHT: SEE TABLE	SCALE: NTS	SHEET: 1 OF 3	REV: E

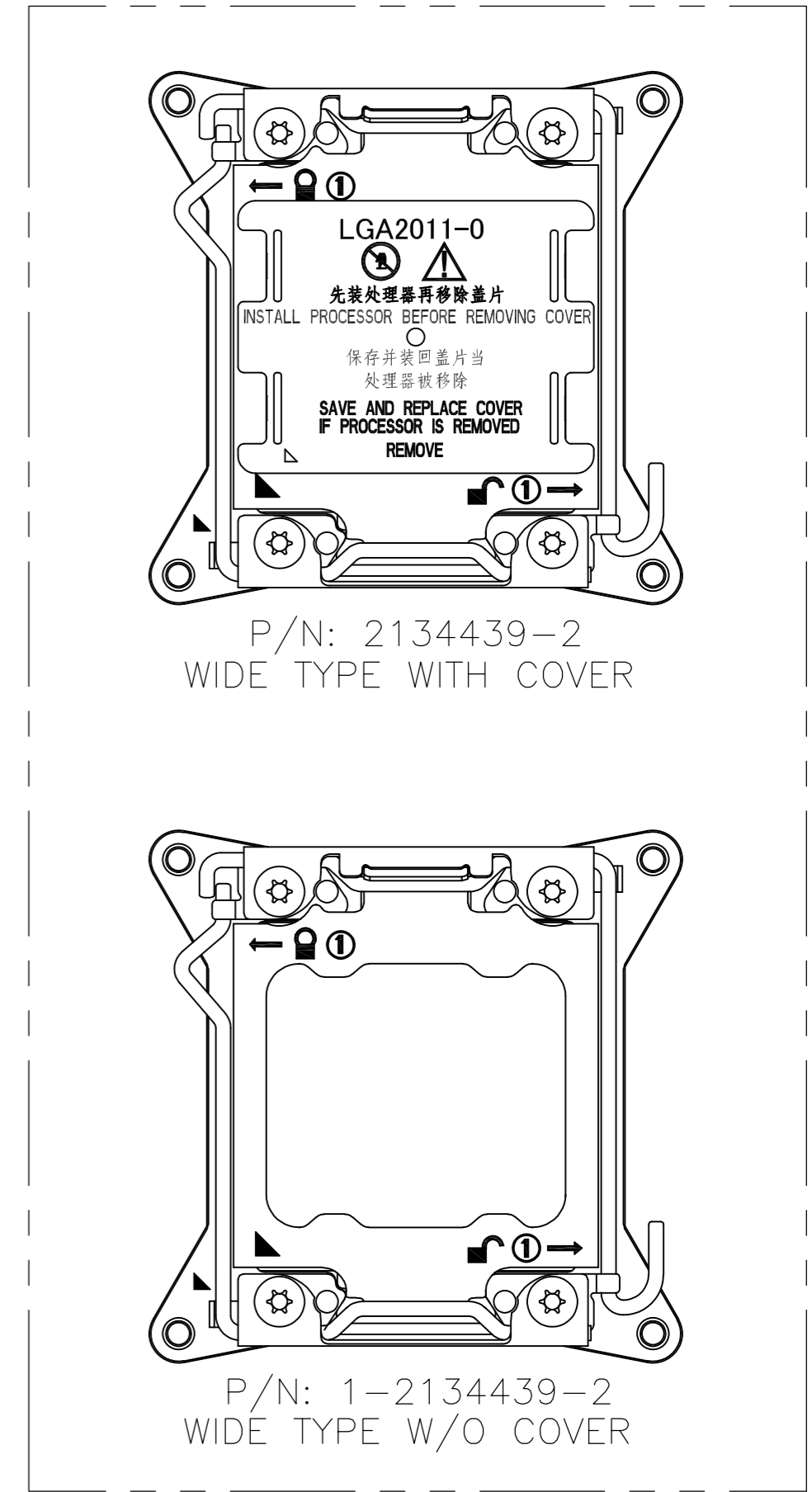
CUSTOMER DRAWING

THIS DRAWING IS UNPUBLISHED. RELEASED FOR PUBLICATION APR., 2011.
 © COPYRIGHT 2011 By Tyco Electronics Japan G.K. ALL RIGHTS RESERVED.

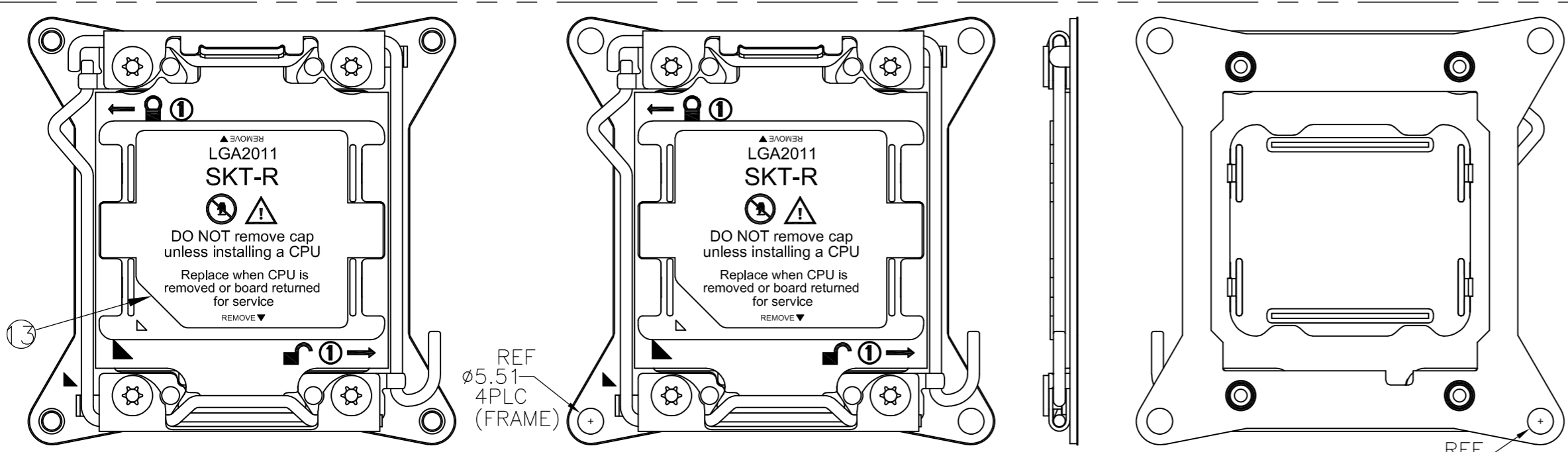
LOC	DIST	REVISONS				
		P	LTR	DATE	DWN	APVD
J	-	-	-	SEE SHEET 1	-	-



P/N: 2134439-2 AS SHOWN (WIDE TYPE WITH COVER)



P/N: 1-2134439-2 WIDE TYPE W/O COVER



P/N: 2134439-3 WIDE TYPE WITH COVER AND LABEL UNLESS SPECIFIED DIMENSION ARE SAME WITH -2

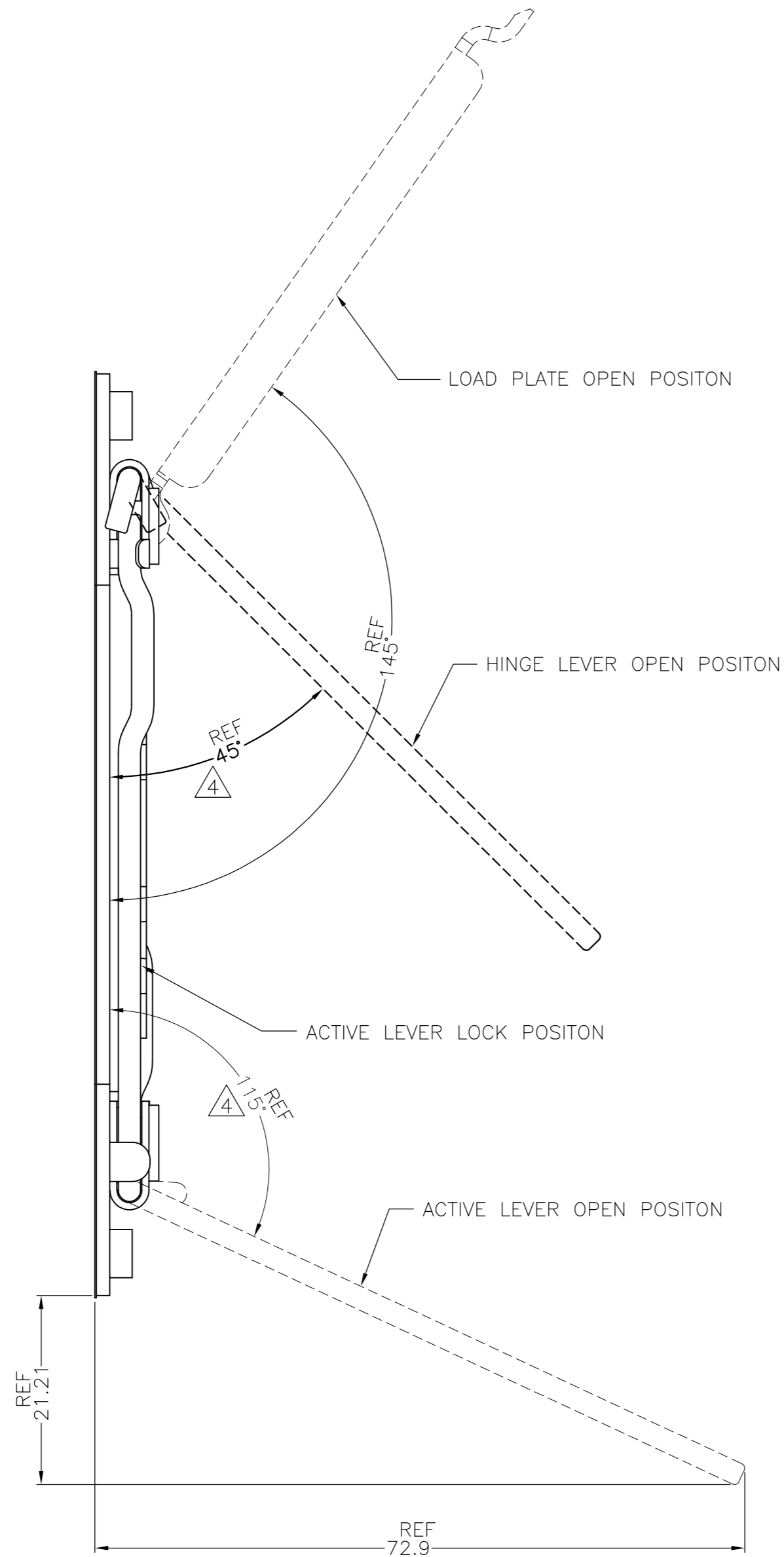
P/N: 2134439-4 WIDE TYPE WITH COVER AND LABEL W/O HS STUD UNLESS SPECIFIED DIMENSION ARE SAME WITH -2

NOTE(APPLIED FOR -3 AND -4)
 ③ LABEL: POLYESTER FILM PLUS ACRYLIC ADHESIVE LAYER, TEXT COLOR: BLACK, BASE SHEET COLOR: YELLOW

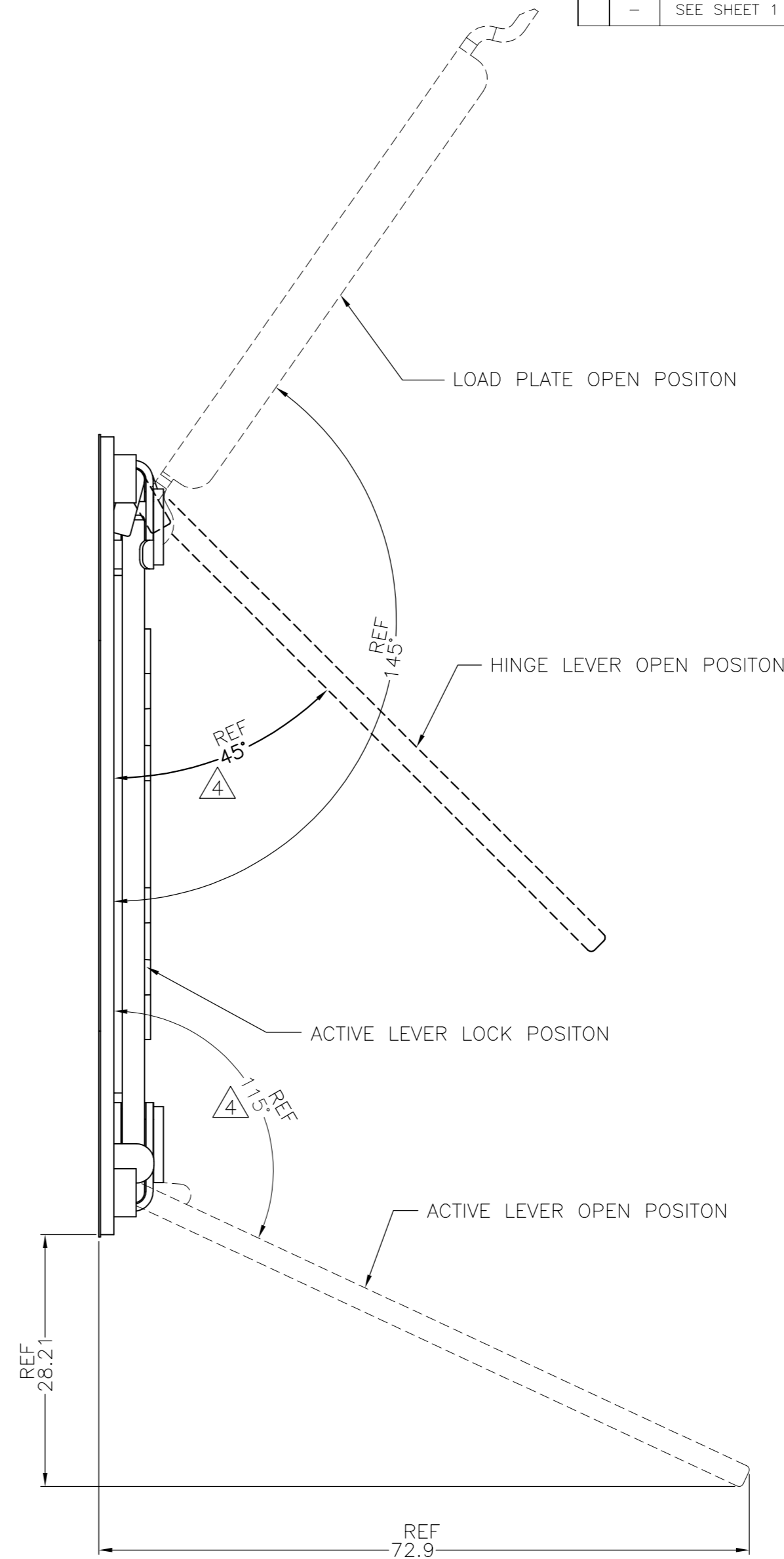
THIS DRAWING IS A CONTROLLED DOCUMENT.		DWN	-	TE Connectivity	
		CHK	-		
		APVD	-	NAME	ILM ASSY
		PRODUCT SPEC		製品規格	
		APPLICATION SPEC		取付適用規格	
		WEIGHT	-	SIZE	A2
		CUSTOMER DRAWING		CAGE CODE	00779
				DRAWING NO	C=2134439
				RESTRICTED TO	-
				SCALE	NTS
				SHEET	2 of 3
				REV	E

THIS DRAWING IS UNPUBLISHED. RELEASED FOR PUBLICATION APR , 2011.
 © COPYRIGHT 2011 By Tyco Electronics Japan G.K. ALL RIGHTS RESERVED.

LOC	DIST	REVISIONS					
J	-	P	LTR	DESCRIPTION	DATE	DWN	APVD
		-	-	SEE SHEET 1	-	-	-



2134439-1, 1-2134439-1 AS SHOWN



2134439-2, -3, -4 1-2134439-2 AS SHOWN

THIS DRAWING IS A CONTROLLED DOCUMENT.		DWN	-	STE TE Connectivity	
DIMENSIONS: 单位: 毫米 mm		CHK	-		
TOLERANCES UNLESS OTHERWISE SPECIFIED: 一般公差		APVD	-	NAME 名称	
0-PLC ± ± ± 0.3		PRODUCT SPEC 製品規格		ILM ASSY	
1-PLC ± ± ± 3°		APPLICATION SPEC 取付適用規格		LGA2011	
2-PLC ± ± ±		WEIGHT		SIZE	CAGE CODE
3-PLC ± ± ±		-		A2	00779
4-PLC ± ± ±		CUSTOMER DRAWING		DRAWING NO 番号	RESTRICTED TO
FINISH 仕上		SCALE 尺度		C=2134439	-
		NTS		SHEET 3 OF 3	REV E

单击下面可查看定价，库存，交付和生命周期等信息

[>>TE Connectivity\(泰科\)](#)