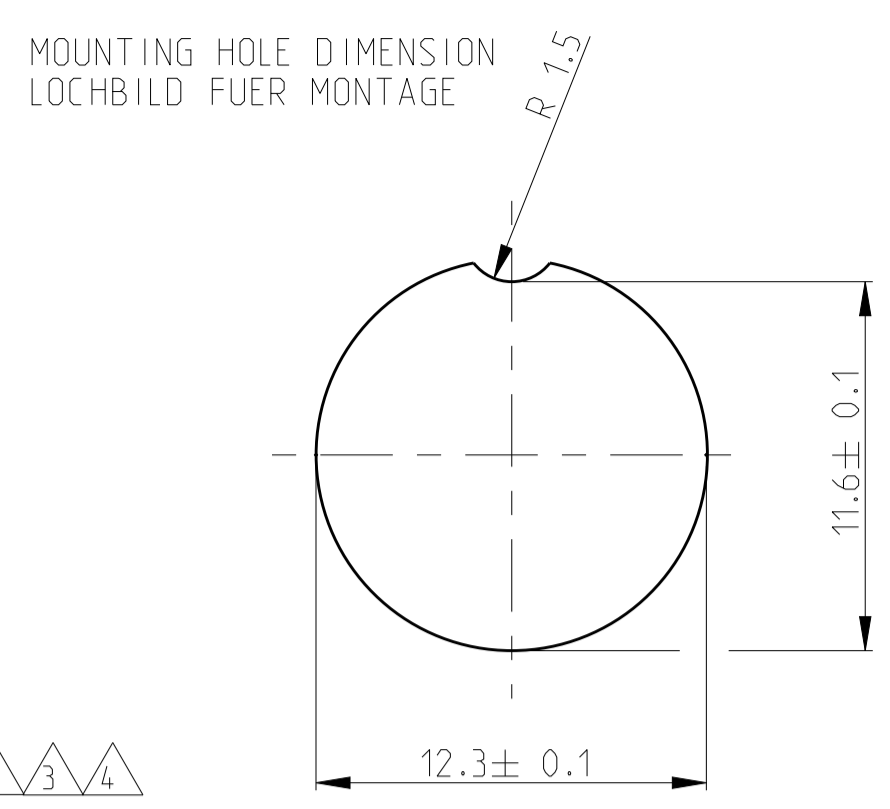
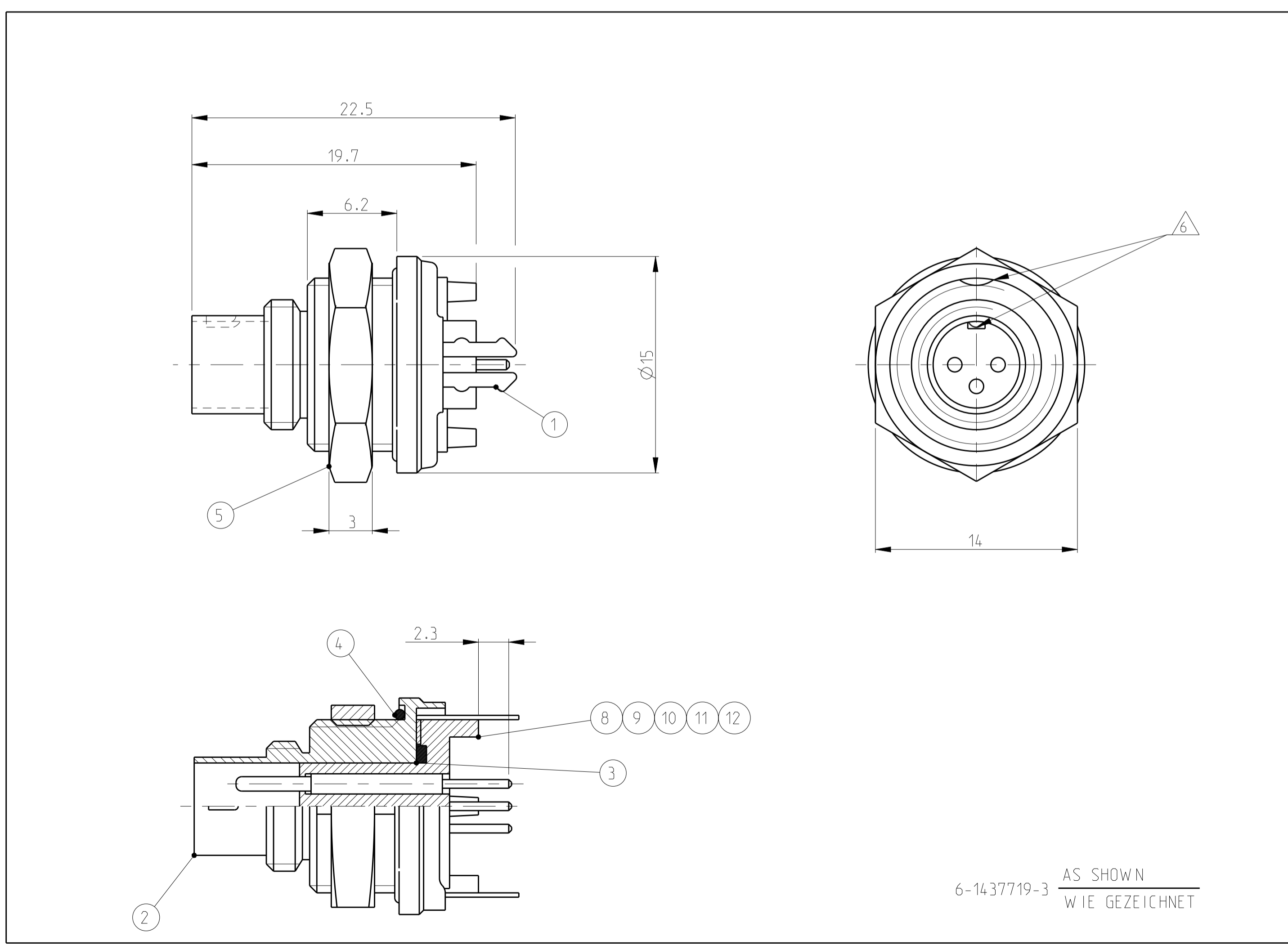
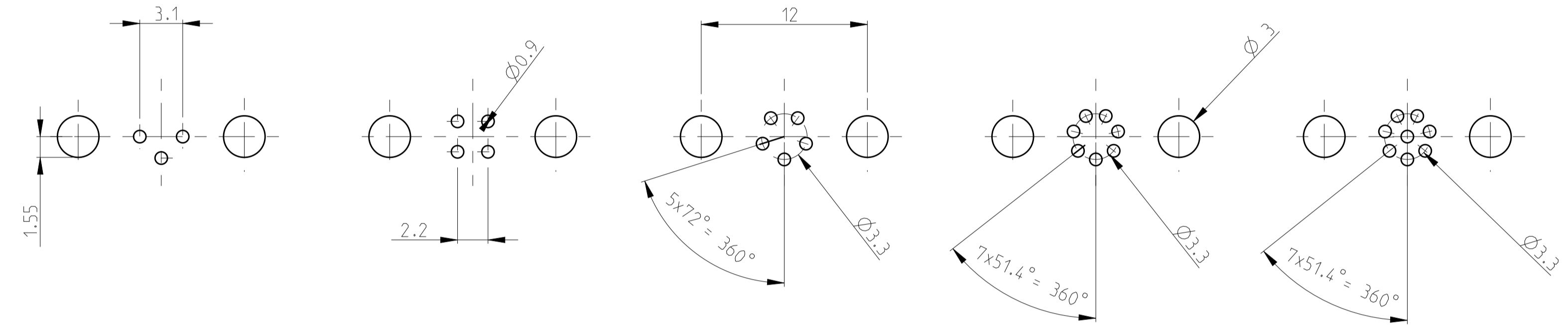


PCB HOLES
PCB THICKNESS 1.6 mm MAX.
PCB LOCHBILD
PCB DICKE 1.6 mm MAX.



LOC	DIST	REV	DATE	BY	CHK	APPV
A1	-	A3	16 JUL 2012	KH	MS	

REVISIONS	DESCRIPTION	DATE	DWN	APPV
1	REVISED PER ECO-12-012897	16 JUL 2012	KH	MS

MATERIAL / MATERIAL: PBT, UL-94 V2	△7
SHELL MATERIAL / GEHAUSEMATERIAL: CUZN	
FINISH / BESCHICHTUNG: TRIBOR 4 µm	
CODING / KODIERUNG	△6
WIRE GAGE / DRAHTGROESSE IN mm ² : 0.25	△5
WIRE GAGE / DRAHTGROESSE IN mm ² : 0.14	△4
CONTACT RESISTANCE / KONTAKTWIDERSTAND: => 5 mΩ	△3
RATED CURRENT PER CONTACT / NENNSTROM PRO KONTAKT: 3 A	△2
RATED CURRENT PER CONTACT / NENNSTROM PRO KONTAKT: 1 A	△1
SHELL PROTECTION CLASS / SCHUTZKLASSE: IP 65 / DIN 40050	
TERMINATION: SOLDERING / VERBINDUNG: LOETKONTAKTE	
TEST VOLTAGE / PRUEFSPANNUNG: 500 VAC	
OPERATING VOLTAGE / BETRIEBSSPANNUNG: 60 VAC	
OPERATING TEMPERATURE: -40°C TO +80°C / ARBEITSTEMPERATUR: -40°C BIS +80°C	
MATING CYCLES / STECKZYKLEN: 500 MAX.	
TECHNICAL DATA TECHNISCHE DATEN	

TYCO-NO. / TYCO NR.	QTY REQD PER ASSY	DESCRIPTION / BESCHREIBUNG	ITEM-NO. / TEIL-NR.			
0-14-18049-1	1	INSULATION TUBE 8 POS. / ISOLIERHUELSE 8 POL.	12			
0-14-18048-1	1	INSULATION TUBE 7 POS. / ISOLIERHUELSE 7 POL.	11			
6-14-37719-5	1	INSULATION TUBE 5 POS. / ISOLIERHUELSE 5 POL.	10			
6-14-37719-4	1	INSULATION TUBE 4 POS. / ISOLIERHUELSE 4 POL.	9			
6-14-37719-3	1	INSULATION TUBE 3 POS. / ISOLIERHUELSE 3 POL.	8			
8	7	MALE PIN APPLIED BY PRESSURE / STIFTKONTAKT EINGEPRESST	7			
	5	4	3	MALE PIN APPLIED BY PRESSURE / STIFTKONTAKT EINGEPRESST	6	
1	1	1	1	1	NUT / MUTTER	5
1	1	1	1	1	SEAL / DICHTUNG	4
1	1	1	1	1	SEAL / DICHTUNG	3
1	1	1	1	1	HOUSING / GEHAUSE	2
1	1	1	1	1	GROUND ON PCB SPRING / VERBINDUNGSFEDER ZUR PCB MASSE	1
REVISION OF EACH ASSY NO. (WHEN BLANK, USE DWG REV.)						
QTY REQD PER ASSY		DESCRIPTION / BESCHREIBUNG	ITEM-NO. / TEIL-NR.			
T01-0570-P08		PARTS LIST / TEILE LISTE				
T01-0570-P07						
T01-0570-P05						
T01-0570-P04						
T01-0570-P03						
CATALOG-NO.						

THIS DRAWING IS A CONTROLLED DOCUMENT. DATE WITH POSSIBLE 20. 18 JUN 2001. 18 JUN 2001. 18 JUN 2001.

OWNER: H. GEISTER
CHK: H. SCHERER
APPV: G. FELDMAYER

NAME: T01 MALE PLUG CONN. PANEL MNT. PCB VER. 3-8 POS. 180 DGR.
T01 STIFTSTECKER.EINBAU. PCB VER. 3-8 POS. 180 GRAD

SCALE: 1:1
SHEET: 1 OF 1
REV: A3

STE TE Connectivity

单击下面可查看定价，库存，交付和生命周期等信息

[>>TE Connectivity\(泰科\)](#)