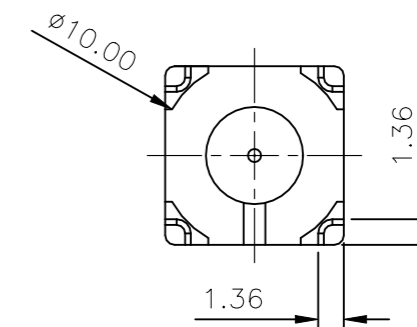
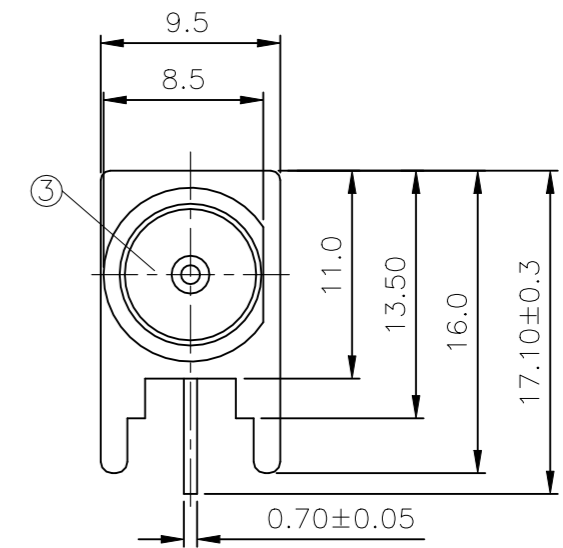
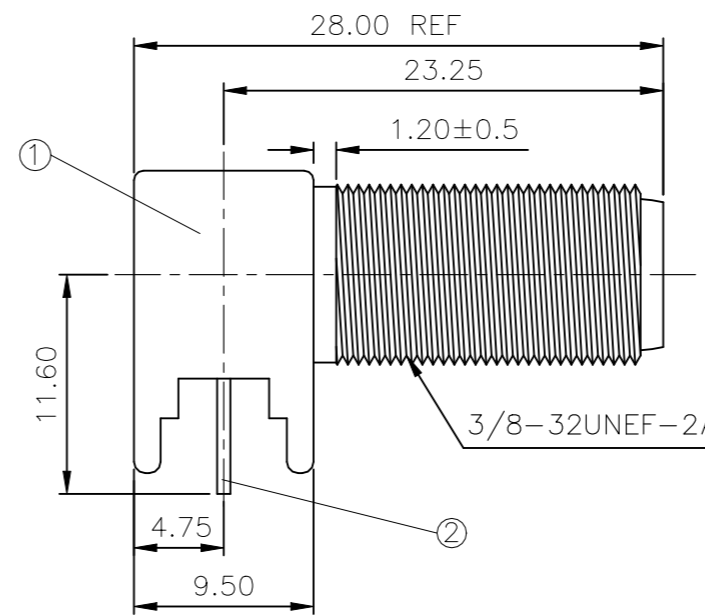
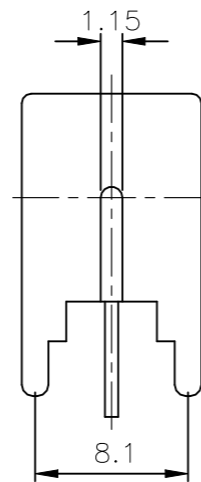


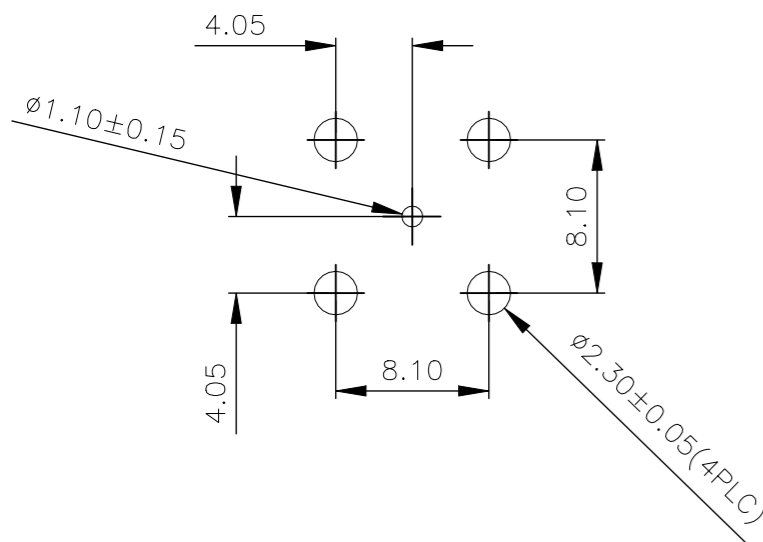
P	LTR	DESCRIPTION	DATE	DWN	APVD
	C3	REVISED PER ECN-21-114705	26AUG2021	RZ	WK

NOTES

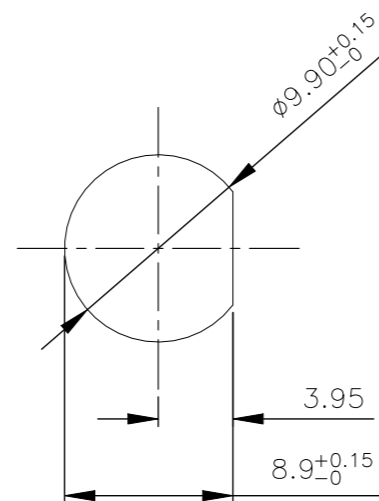
- ① PACKAGING: 50 PCS/TRAY, 20 TRAYS/CTN
- ② PACKAGING: SINGLE PACK, 1PC/BAG, 100 BAGS/BOX, 10 BOXES/CTN
- ③ TIN PLATING
- ④ Ni PLATING
- ⑤ PACKAGING: 100 PCS/BAG, 1BAG/BOX, 10 BOXES/CTN



RECOMMENDED PCB LAYOUT WITH MOUNTING POSTS



RECOMMENDED MOUNTING HOLE



QTY	QTY PER ASSY	PARTS LIST	DESCRIPTION	ITEM
1	1	TPX	INSULATOR	3
1	1	PHOS BRONZE	CONTACT	2
1	1	ZINC ALLOY	BODY	1
5--2	5--1	MATERIAL	DESCRIPTION	ITEM
⑤	②	①		

THIS DRAWING IS A CONTROLLED DOCUMENT.

DWN	ANSON MA	14FEB09	STE TE Connectivity
CHK	RITA ZUO	14FEB09	
APVD	BOB ZHAO	14FEB09	
PRODUCT SPEC	NAME		
108-112000		F SERIES CONNECTOR ELBOW JACK PCB	
APPLICATION SPEC	SIZE	CAGE CODE	DRAWING NO
		A3	00779
WEIGHT	0.000000		C-1634540
CUSTOMER DRAWING			RESTRICTED TO
SCALE			NTS
SHEET		1 OF 1	
REV		C3	

单击下面可查看定价，库存，交付和生命周期等信息

[>>TE Connectivity\(泰科\)](#)