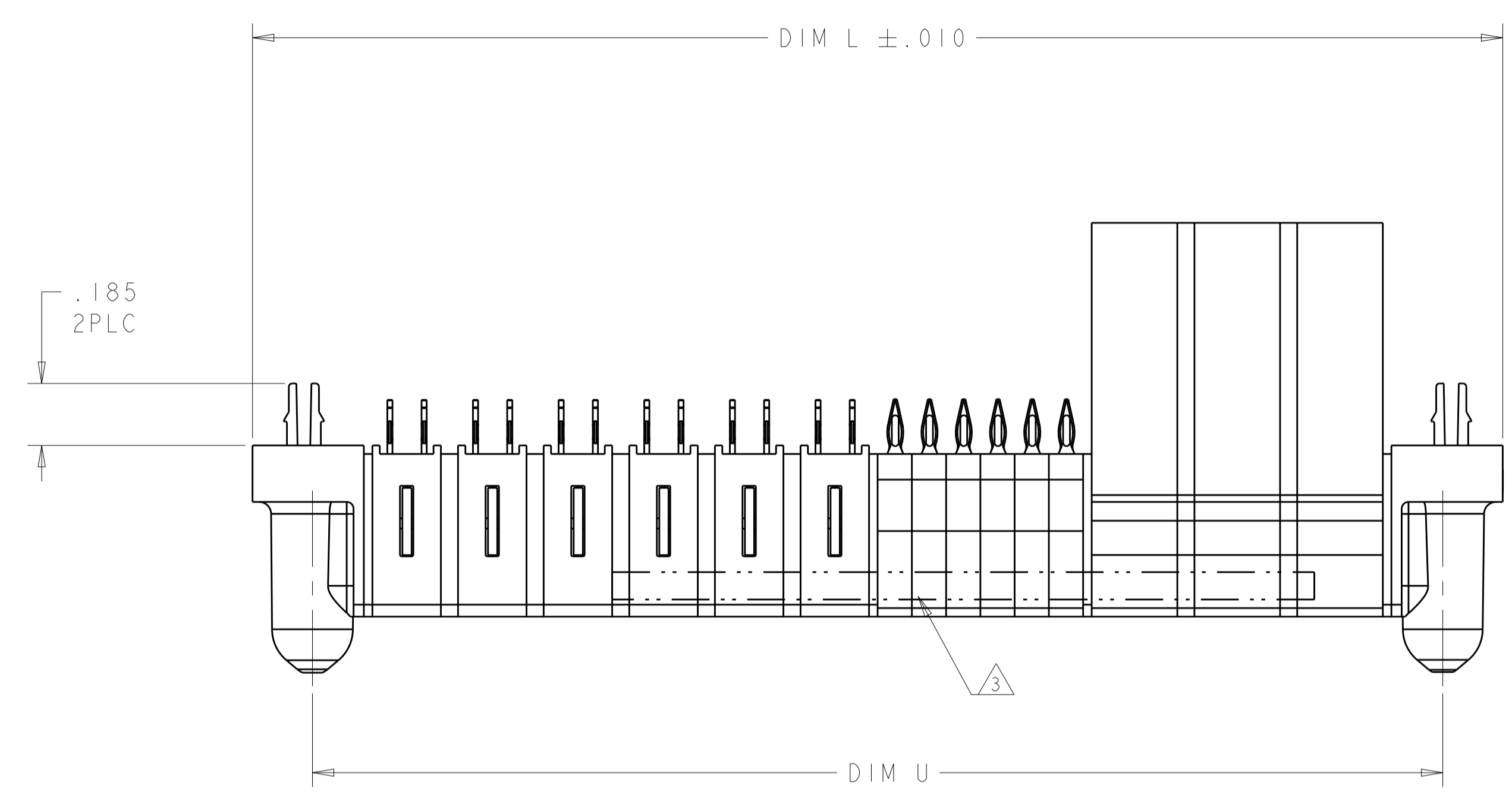
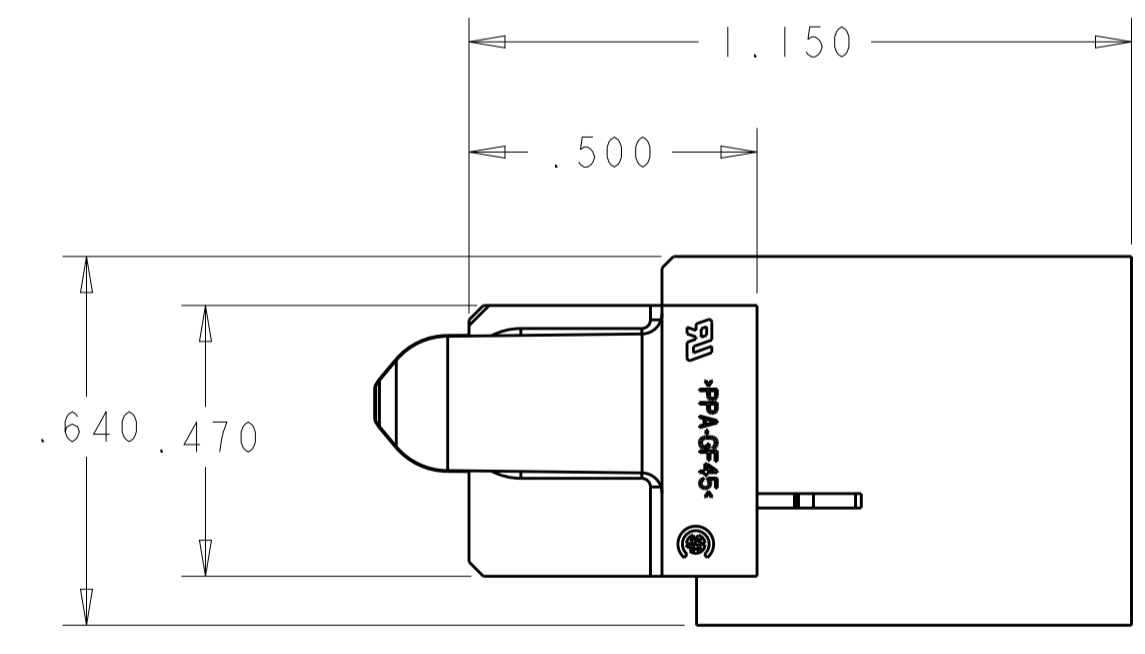
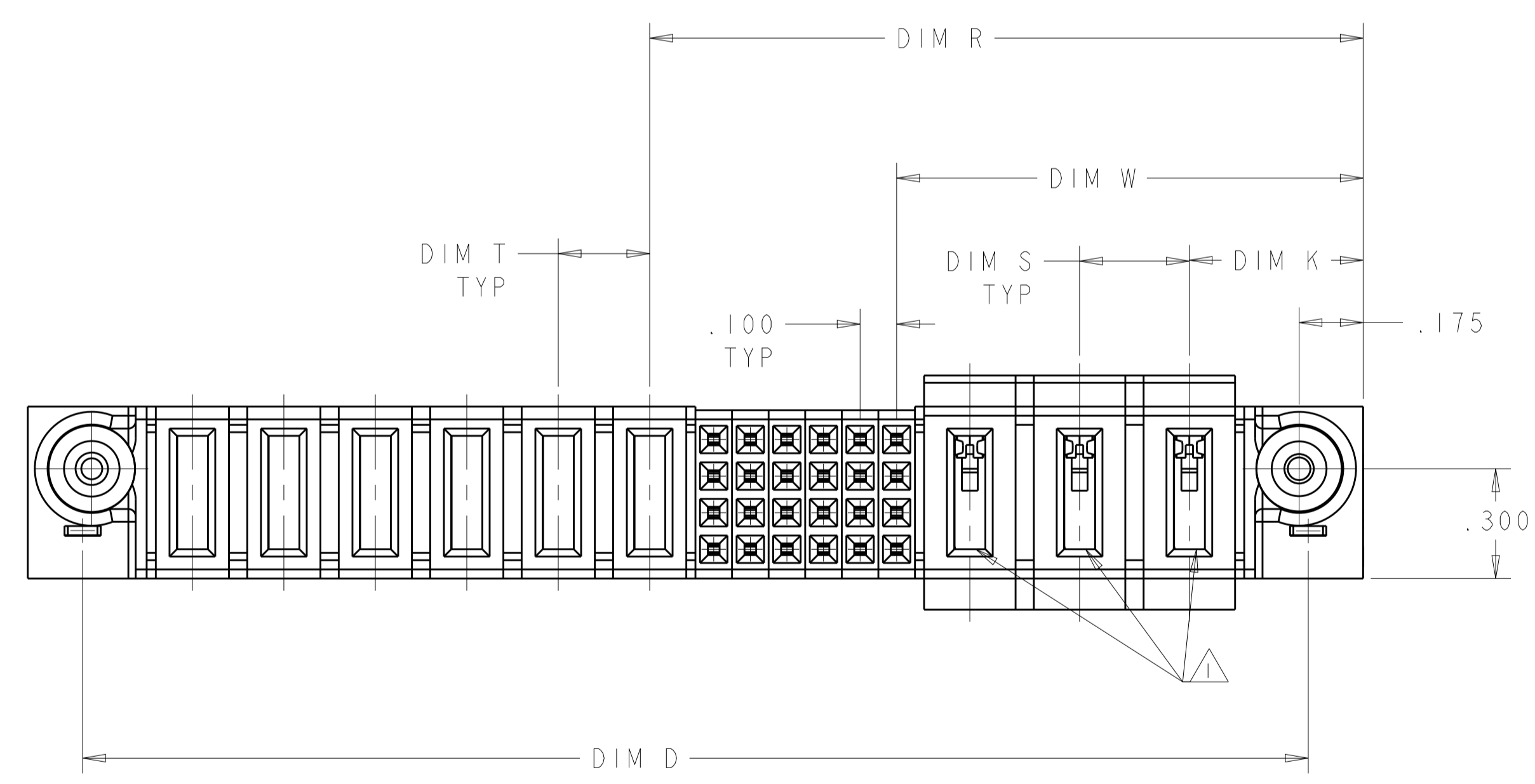
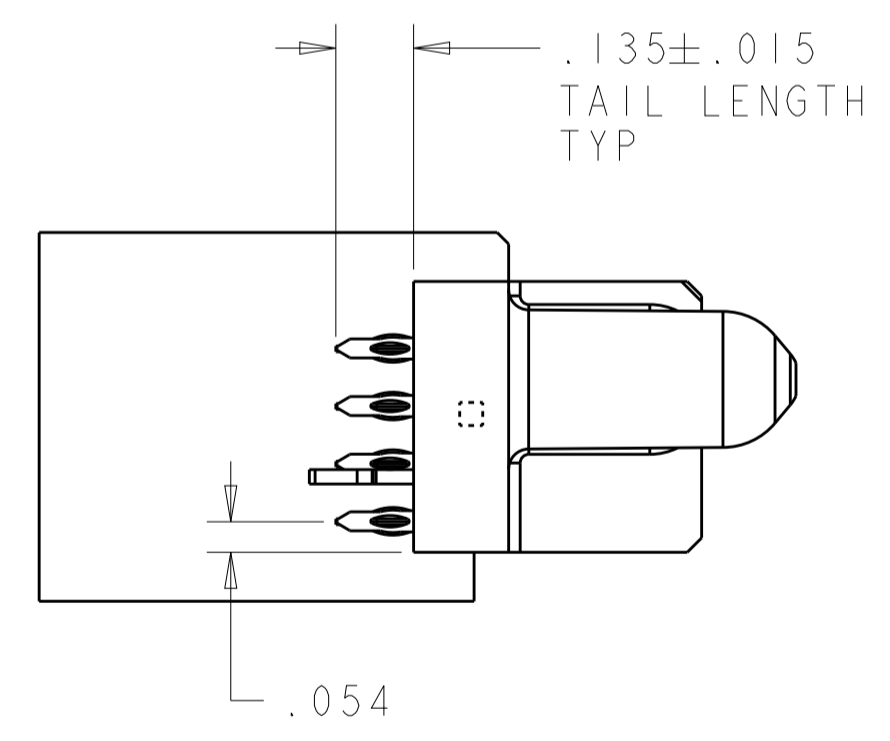


LOC		DIST		REVISIONS			
ES	00	P	LTN	DESCRIPTION	DATE	DWN	APVD
		C1		ADDED NEW DASH NUMBER -8	06JUN2012	CZ	SZ
		C2		REV PER ECR-13-004638	20MAR2013	ML	SZ



- 1 A/C POWER CABLE CONTACT LOADED IN THESE CAVITIES.
- 2 MINIMUM PCB CUTOUT REQUIRED.
- 3 "AMP", PART NUMBER AND DATE CODE TO BE MARKED IN AREA SHOWN
- 4 MATERIAL: HOUSING - GLASS FILLED HIGH TEMP THERMO PLASTIC, BLACK, UL94 V-0
 SIGNAL CONTACT - HIGH CONDUCTIVITY COPPER ALLOY
 POWER CONTACT - HIGH CONDUCTIVITY COPPER ALLOY
- 5 CONTACT PLATING:
 NOBLE METAL PLATED ON THE CONTACT FUNCTIONAL AREA OF
 POWER AND SIGNAL CONTACTS.
- 6 MECHANICAL CONNECTOR KEEP OUT ZONE
- 7 DATUM AND BASIC DIMENSIONS ESTABLISHED BY CUSTOMER
- 8 PCB - ALL HOLE DIAMETERS ARE FINISHED HOLE SIZES
- 9 PCB - 0.0453 +/- .0010 DRILLED HOLES PLATED WITH .0003 MIN Sn
 OVER .001 TO .003 PLATING TO ACHIEVE A .040 DIAMETER HOLE
- 10 FOR PART NUMBER 6450558-1. THE DIMENSION PLEASE SEE SHEET 2.



2.850	2.800	.300	.300	2.075	1.325	3.150	.475	3ACP + 24S + 3ACP	6450558-8
4.550	4.500	.300	.300	2.875	2.175	4.850	.475	6ACP + 24S + 6ACP	6450558-6
2.875	2.825	.250	.300	.900	2.300	3.175	.475	3ACP + 4P + 24S	6450558-1
3.350	3.300	.250	.300	1.950	1.275	3.650	.475	3ACP + 24S + 6P	6450558-2
DIM D	DIM U	DIM T	DIM S	DIM R	DIM W	DIM L	DIM K	DESCRIPTION	PART NUMBER

THIS DRAWING IS A CONTROLLED DOCUMENT. DWN: C. ZHOU 30JUL2007
 CHK: S. ZHAO 30JUL2007
 APVD: S. YAO

DIMENSIONS: INCHES. TOLERANCES UNLESS OTHERWISE SPECIFIED:
 0 PLC ±.
 1 PLC ±.01
 2 PLC ±.01
 3 PLC ±.005
 4 PLC ±.0020
 ANGLES ±.7°

MATERIAL: 4. FINISH: 5.

THIS DRAWING IS A CONTROLLED DOCUMENT. DWN: C. ZHOU 30JUL2007
 CHK: S. ZHAO 30JUL2007
 APVD: S. YAO

PRODUCT SPEC: 108-1973
 APPLICATION SPEC: 114-13038

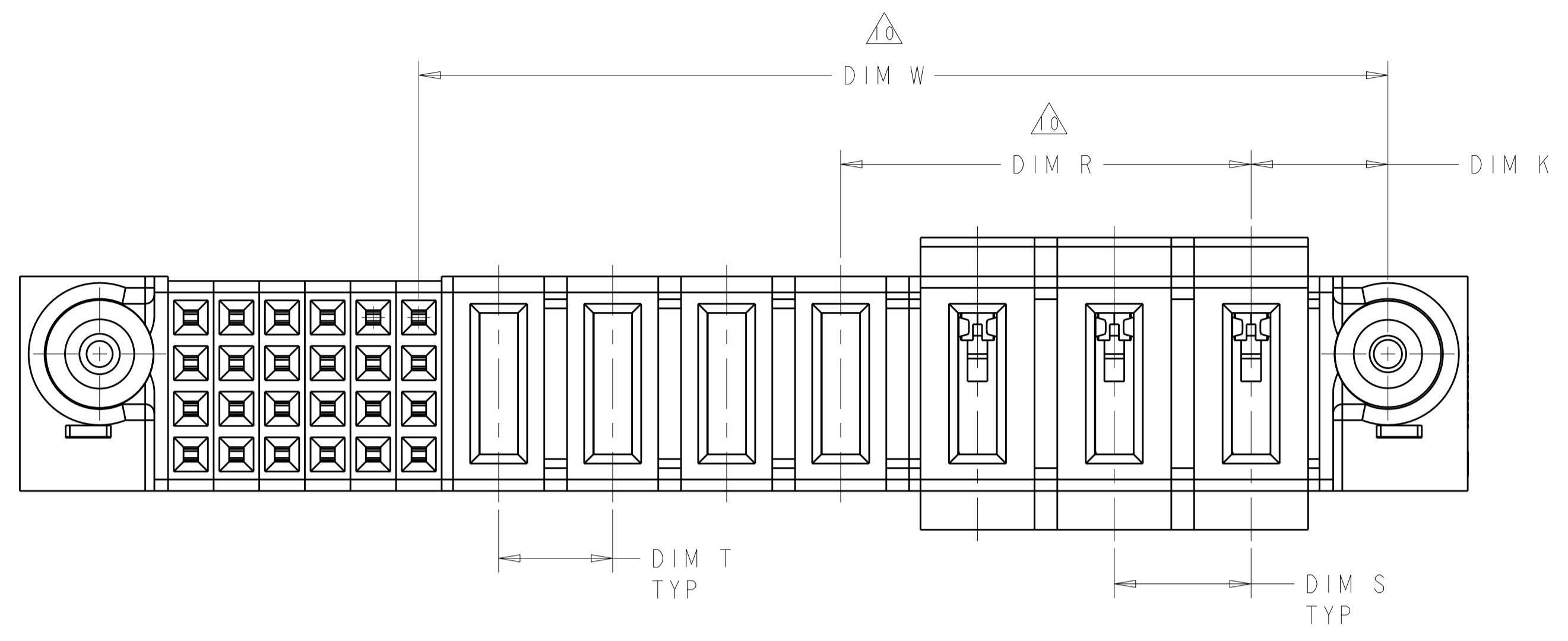
WEIGHT: -
 CUSTOMER DRAWING

TE Connectivity
 NAME: VERTICAL RECEPTACLE ASSEMBLY
 A/C PASS-THRU W/ GUIDES
 MULTI-BEAM XL

SIZE: A1
 CAGE CODE: 100779
 DRAWING NO: 6450558

RESTRICTED TO: -
 SCALE: 1:1 SHEET 1 OF 6 REV: C2

LOC		DIST		REVISIONS			
ES	00	P	LTN	DESCRIPTION	DATE	DMN	APVD
		-		SEE SHEET 1	-	-	-

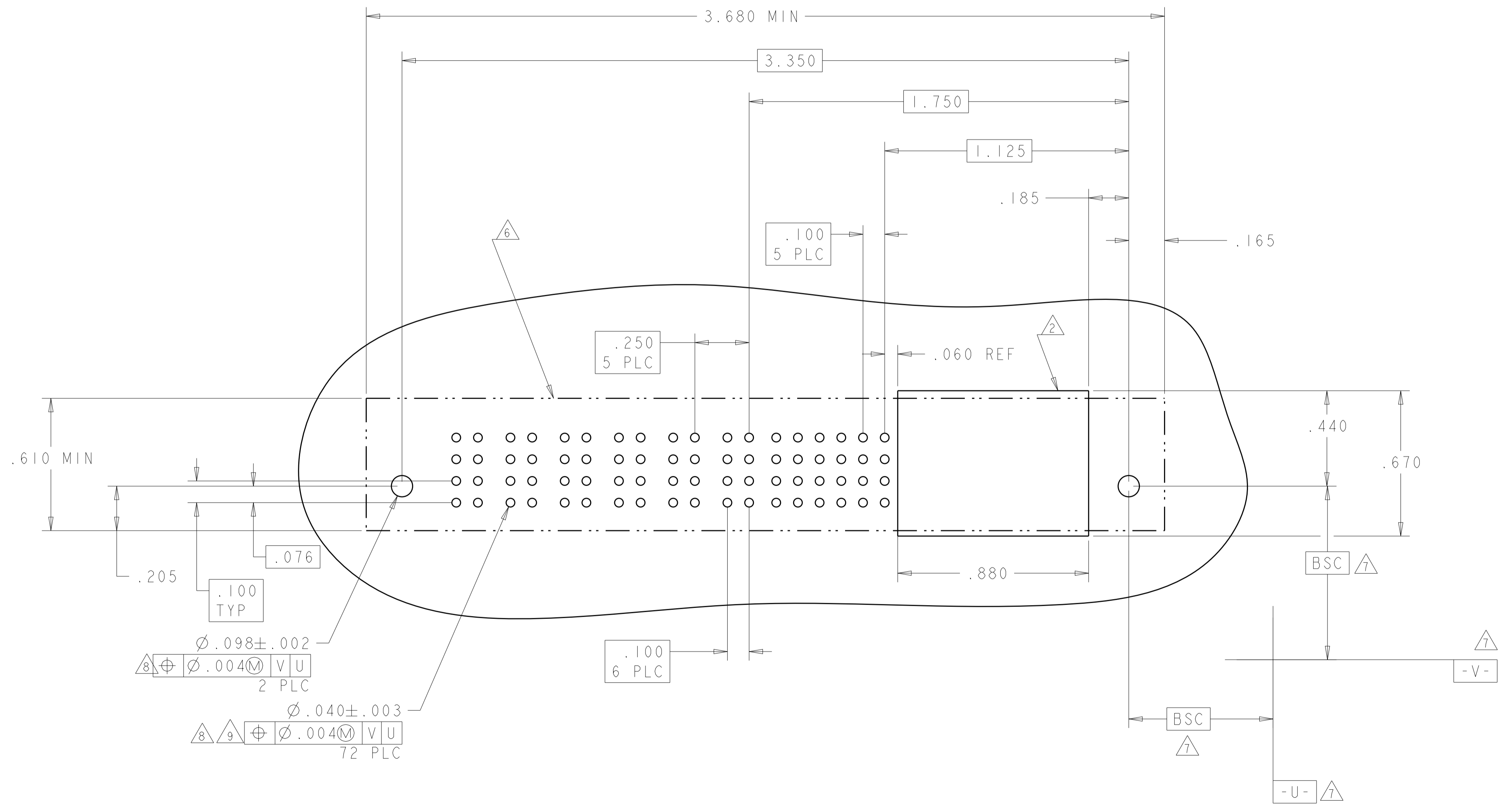
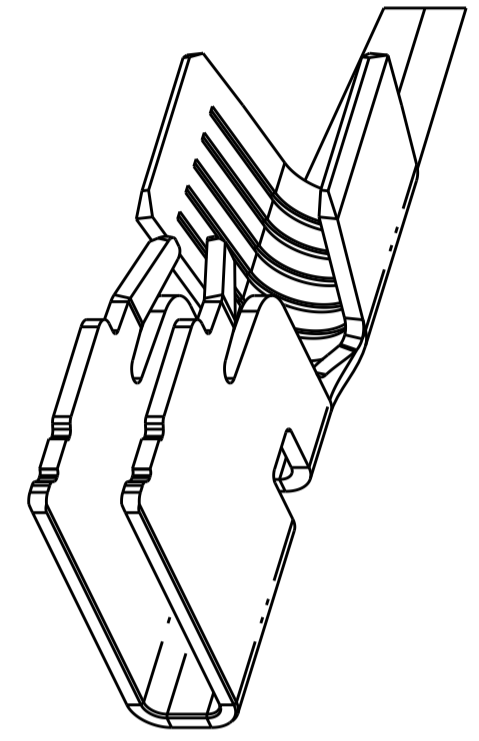


FOR PART NUMBER 6450558-1, OTHER DIMENSIONS PLEASE SEE THE TABLE OF SHEET 1

THIS DRAWING IS A CONTROLLED DOCUMENT.		DMN C. ZHOU CHK S. ZHAO	30 JUL 2007 30 JUL 2007		TE Connectivity
DIMENSIONS: INCHES		TOLERANCES UNLESS OTHERWISE SPECIFIED: 0 PLC ±. 1 PLC ±.01 2 PLC ±.01 3 PLC ±.005 4 PLC ±.0020 ANGLES ±.2°			NAME VERTICAL RECEPTACLE ASSEMBLY A/C PASS-THRU W/ GUIDES MULTI-BEAM XL
		APVD S. YAO		PRODUCT SPEC 108-1973 APPLICATION SPEC 114-13038	SIZE A100779
MATERIAL		FINISH		WEIGHT -	CUSTOMER DRAWING SCALE 1:1 SHEET 2 OF 6 REV C2

LOC		DIST		REVISIONS			
ES	00	P	LTN	DESCRIPTION	DATE	DWN	APVD
-	-	-	-	SEE SHEET 1	-	-	-

PART NUMBER	ROWS	HD	POWER						SIGNAL						POWER			HD	
			P9	P8	P7	P6	P5	P4	6	5	4	3	2	1	P3	P2	P1		
6450558-2	D C B A	HD	GS	GS	GS	GS	GS	GS	AP	AP	AP	AP	AP	AP	AP	MFBL	STD	STD	HD
			GS	GS	GS	GS	GS	GS	AP	AP	AP	AP	AP	AP	AP	AP	AP	AP	
			GS	GS	GS	GS	GS	GS	AP	AP	AP	AP	AP	AP	AP	AP	AP	AP	
			GS	GS	GS	GS	GS	GS	AP	AP	AP	AP	AP	AP	AP	AP	AP	AP	
3ACP + 6P + 24S																			



CODE	DESCRIPTION	ROW
GS	POWER CONTACT, STD	-
AP	SIGNAL CONTACT, PRESS FIT	-

THIS DRAWING IS A CONTROLLED DOCUMENT.

DIMENSIONS: INCHES	TOLERANCES UNLESS OTHERWISE SPECIFIED:	DWN C. ZHOU 30 JUL 2007	CHK S. ZHAO 30 JUL 2007	APVD S. YAO	NAME S. YAO
	0 PLC ±. 1 PLC ±.01 2 PLC ±.01 3 PLC ±.01 4 PLC ±.0020 ANGLES ±.2°	PRODUCT SPEC 108-1973	APPLICATION SPEC 114-13038	WEIGHT -	RESTRICTED TO -
MATERIAL -	FINISH -	CUSTOMER DRAWING		SCALE 1:1	SHEET 3 OF 6

STE TE Connectivity

VERTICAL RECEPTACLE ASSEMBLY
 A/C PASS-THRU W/ GUIDES
 MULTI-BEAM XL

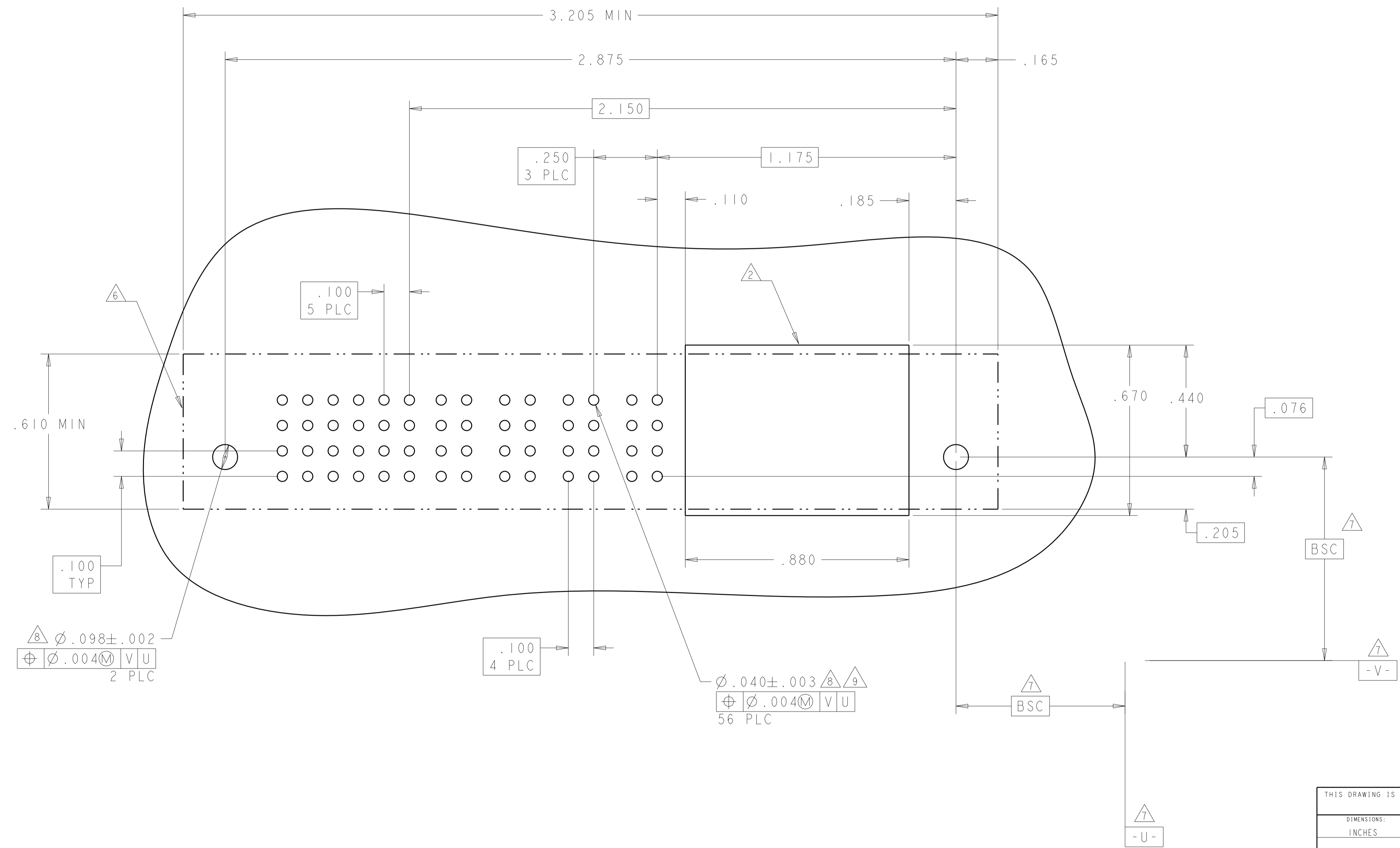
SIZE
A100779

CAGE CODE
C=6450558

REV
C2

LOC		DIST		REVISIONS			
ES	00	P	LTN	DESCRIPTION	DATE	DWN	APVD
		-		SEE SHEET 1			

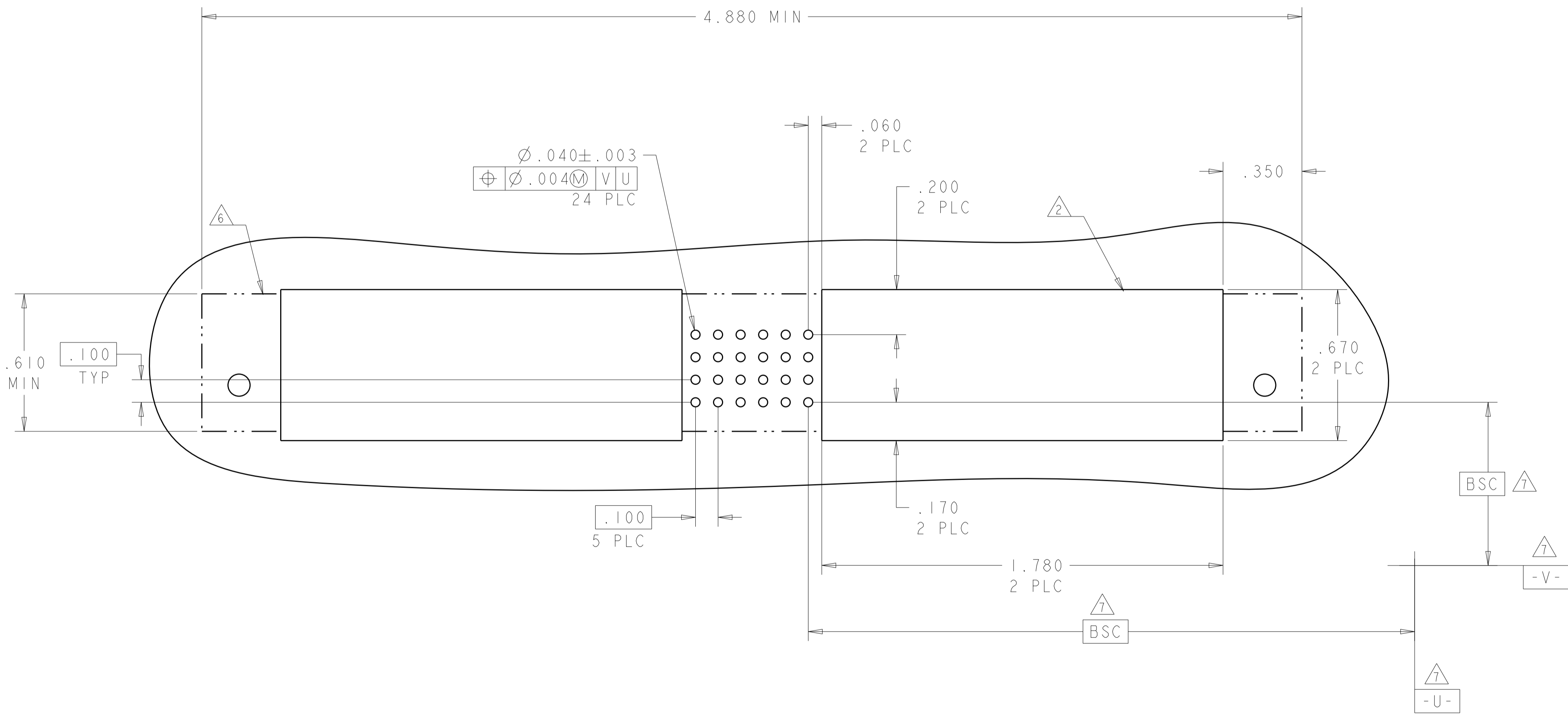
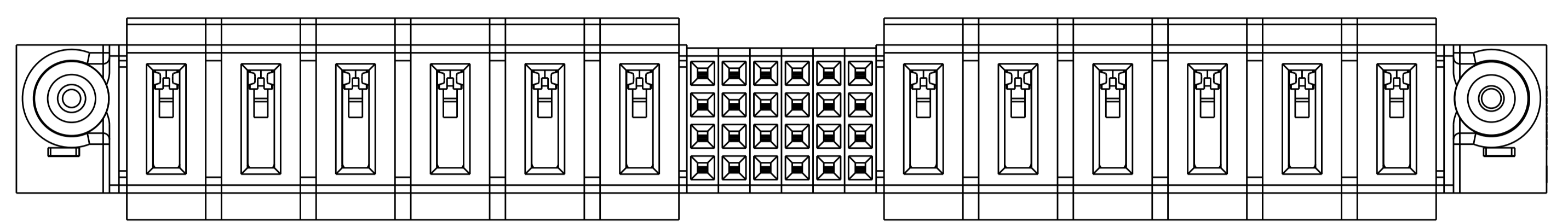
PART NUMBER	ROWS	SIGNAL						POWER						
		6	5	4	3	2	1	P7	P6	P5	P4	P3	P2	P1
6450558-1	D	AP	AP	AP	AP	AP	AP	GS	GS	GS	GS	MFBL	STD	STD
	C	AP	AP	AP	AP	AP	AP							
	B	AP	AP	AP	AP	AP	AP							
	A	AP	AP	AP	AP	AP	AP							
3ACP + 4P + 24S		HD								HD				



THIS DRAWING IS A CONTROLLED DOCUMENT.		DWN C. ZHOU 30 JUL 2007	TE Connectivity
DIMENSIONS: INCHES		CHK S. ZHAO 30 JUL 2007	
		APVD S. YAO	NAME VERTICAL RECEPTACLE ASSEMBLY A/C PASS-THRU W/ GUIDES MULTI-BEAM XL
TOLERANCES UNLESS OTHERWISE SPECIFIED:		PRODUCT SPEC 108-1973	SIZE A100779C=6450558
0 PLC ± 1 PLC ±.01 2 PLC ±.01 3 PLC ±.005 4 PLC ±.0020 ANGLES ±.020		APPLICATION SPEC 114-13038	RESTRICTED TO
MATERIAL		WEIGHT	SCALE 1:1 SHEET 4 OF 6 REV C2
FINISH		CUSTOMER DRAWING	

LOC	DIST	REVISIONS					
		P	LTN	DESCRIPTION	DATE	DWN	APVD
ES	00	-	-	SEE SHEET 1	-	-	-

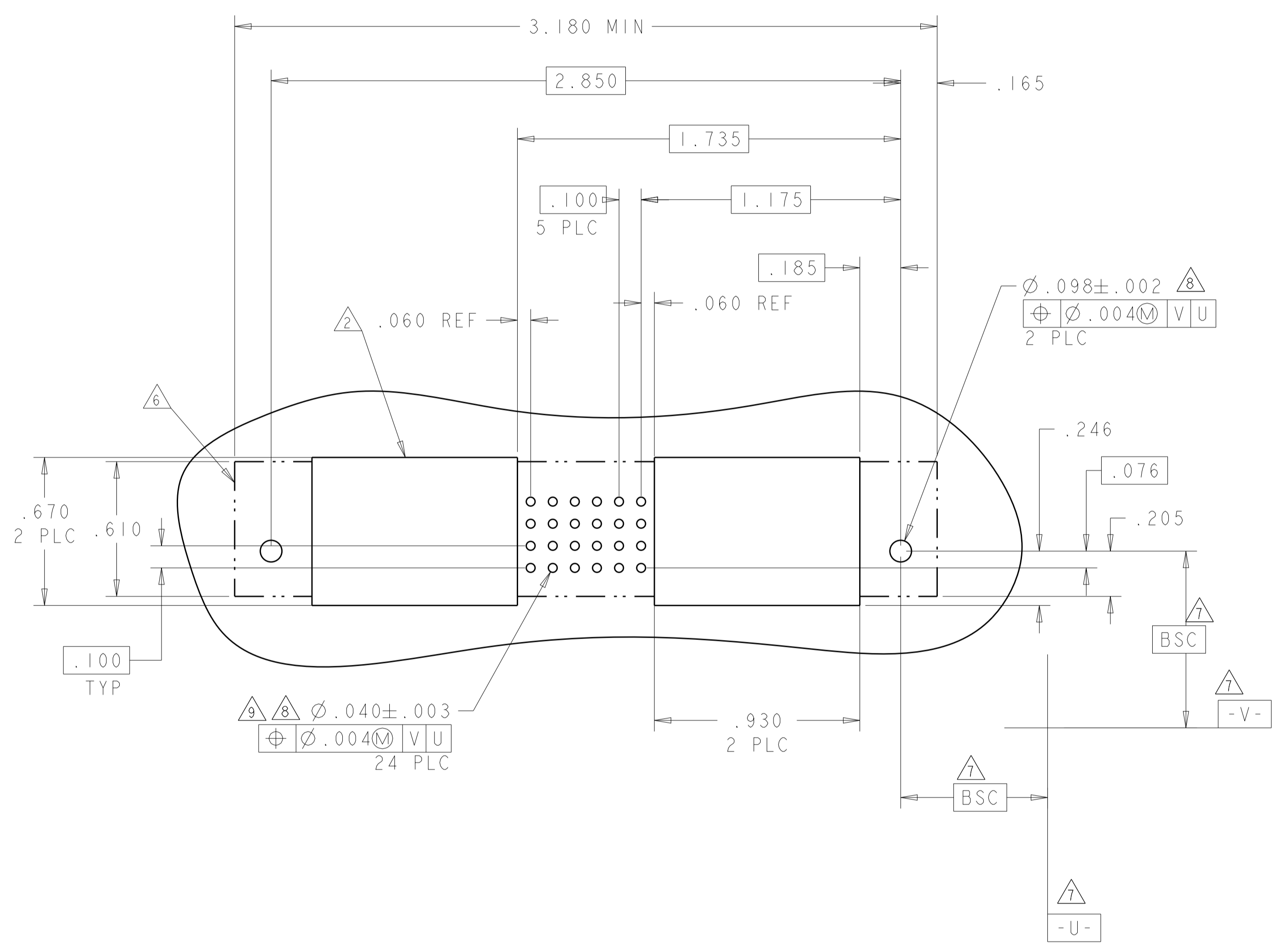
PART NUMBER	ROWS	POWER						SIGNAL						POWER						
		P12	P11	P10	P9	P8	P7	6	5	4	3	2	1	P6	P5	P4	P3	P2	P1	
6450558-6	D	C	STD	STD	STD	MFBL	MFBL	MFBL	AP	AP	AP	AP	AP	AP	MFBL	MFBL	MFBL	STD	STD	STD
	AP								AP	AP	AP	AP	AP							
	AP								AP	AP	AP	AP	AP							
	AP								AP	AP	AP	AP	AP							
6ACP + 24S + 6ACP																				



THIS DRAWING IS A CONTROLLED DOCUMENT.		DWN C. ZHOU 30 JUL 2007	TE Connectivity
DIMENSIONS: INCHES		CHK S. ZHAO 30 JUL 2007	
		TOLERANCES UNLESS OTHERWISE SPECIFIED: 0 PLC ± 1 PLC ±.01 2 PLC ±.01 3 PLC ±.005 4 PLC ±.0020 ANGLES ±.2° FINISH -	NAME PRODUCT SPEC 108-1973 APPLICATION SPEC 114-13038 WEIGHT -
MATERIAL -		APVD S. YAO	RESTRICTED TO A100779C=6450558 CUSTOMER DRAWING SCALE 1:1 SHEET 5 OF 6 REV C2

LOC	DIST	REVISIONS					
		P	LTN	DESCRIPTION	DATE	DMN	APVD
ES	00	-	-	SEE SHEET 1	-	-	-

PART NUMBER	ROWS	POWER			SIGNAL								
		P6	P5	P4	6	5	4	3	2	1	P3	P2	P1
6450558-8	D	STD	STD	STD	AP	AP	AP	AP	AP	AP	STD	STD	STD
	C				AP	AP	AP	AP	AP				
	B				AP	AP	AP	AP	AP				
	A				AP	AP	AP	AP	AP				
3ACP + 24S + 3ACP													



THIS DRAWING IS A CONTROLLED DOCUMENT.		DMN C. ZHOU CHK S. ZHAO	30 JUL 2007 30 JUL 2007	TE Connectivity
DIMENSIONS: INCHES	TOLERANCES UNLESS OTHERWISE SPECIFIED:	APVD S. YAO	NAME	
0 PLC ± 1 PLC ±.01 2 PLC ±.01 3 PLC ±.005 4 PLC ±.0020 ANGLES ±.2°	PRODUCT SPEC 108-1973 APPLICATION SPEC 114-13038 WEIGHT CUSTOMER DRAWING	SIZE A100779	DRAWING NO C=6450558	RESTRICTED TO
MATERIAL	FINISH	SCALE 1:1		SHEET 6 OF 6
				REV C2

单击下面可查看定价，库存，交付和生命周期等信息

[>>TE Connectivity\(泰科\)](#)