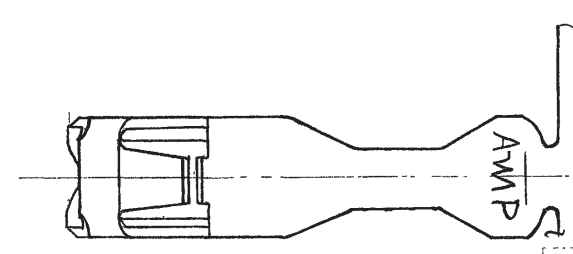
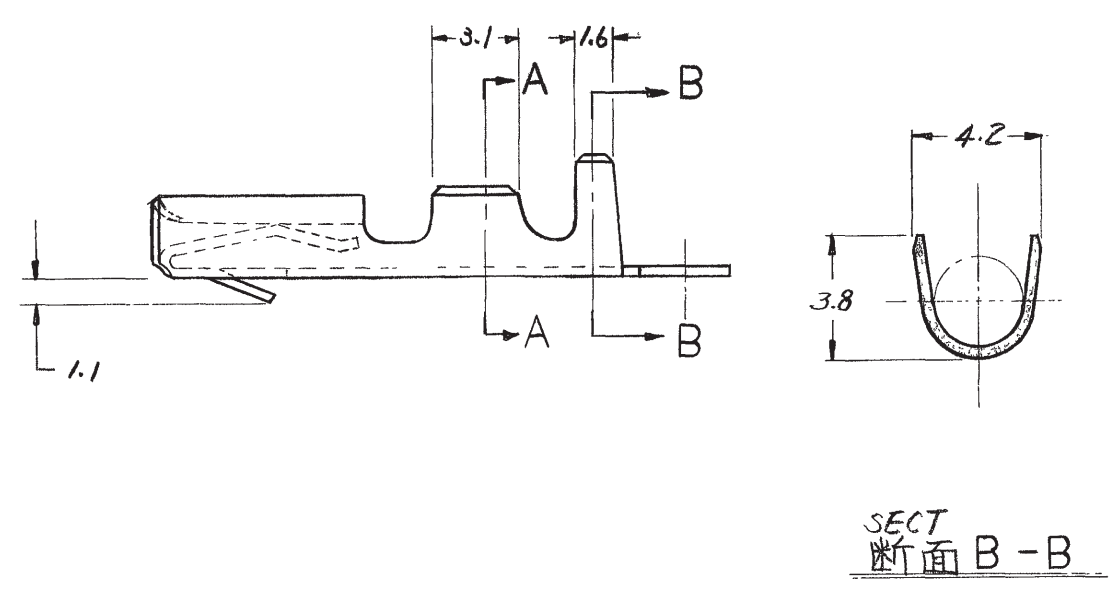
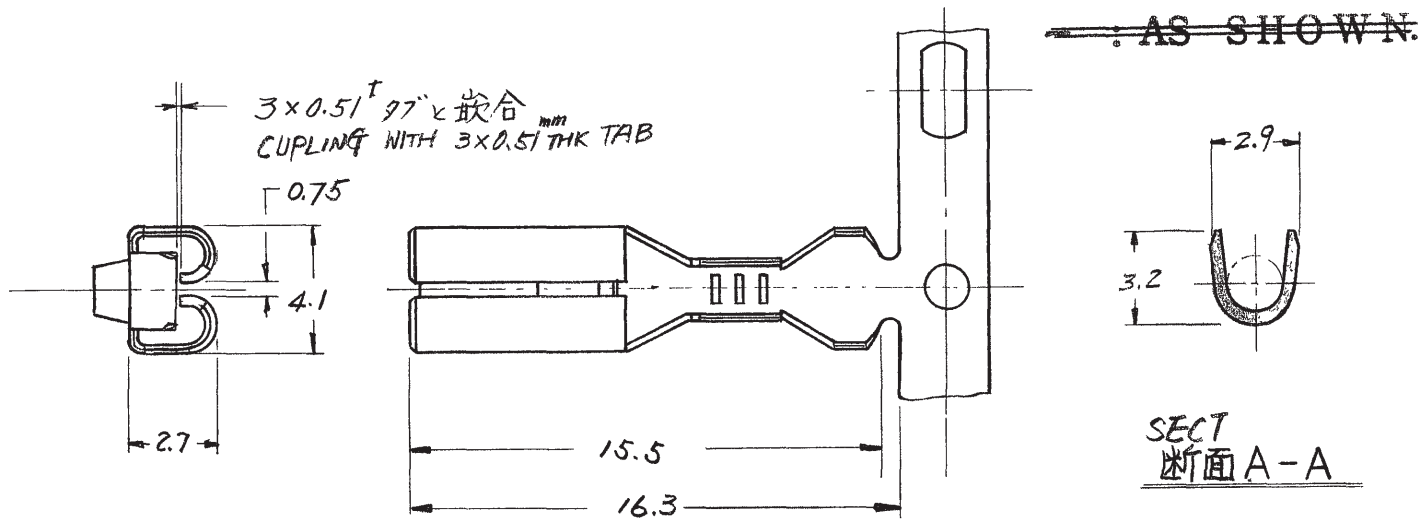


品番 NUMBER
C-170382



OBSOLETE 錫めっき 黄銅 仕上 枝 黄銅 價 型番 -2
170382

©19 BY AMP (Japan), Ltd. ALL RIGHTS RESERVED AMP PRODUCTS COVERED BY PATENTS AND/OR PATENTS PENDING 参考図面 (CUSTOMER COPY) (REFERENCE ONLY)



A3	REVISED PER ECR-19-018072	SS	TD	27NOV 2019
A2	改訂 J81-6090	olma	mk	7/6/81
A1	改訂 J81-6065	olma	mk	6/16/80
A	改訂 J81-5956	aj	mk	3/16/81
0	作成 J80-5418	aj	mk	7/29/80
LTR	変更 (REVISION RECORD)	DR	CHK	DATE
DR	A. Tami 7/29/80	DE		
CHK	M. Aizawa 7/29/80	APP		

材料 (MATERIAL)			
仕上げ (FINISH)			
挿合電線断面積 (WIRE RANGE)	# 20-16	分類 (CLASS)	
挿合外皮 (INSULATION DIA)	2.03 ~ 3.05 mm (IN)	型式 (TYPE)	
一般公差 (TOLERANCE) EXCEPT AS NOTED	±0.4 (±0.15") ±1°	尺度 (SCALE)	4-1
名称 (NAME)	SERIES	LOC	SIZE 番号 (NO)
	RECEPTACLE	J	A C-170382
			REV A3

PRINT DIST 単位: 寸 DIMENSIONS IN MM DO NOT SCALE PRINT

单击下面可查看定价，库存，交付和生命周期等信息

[>>TE Connectivity\(泰科\)](#)