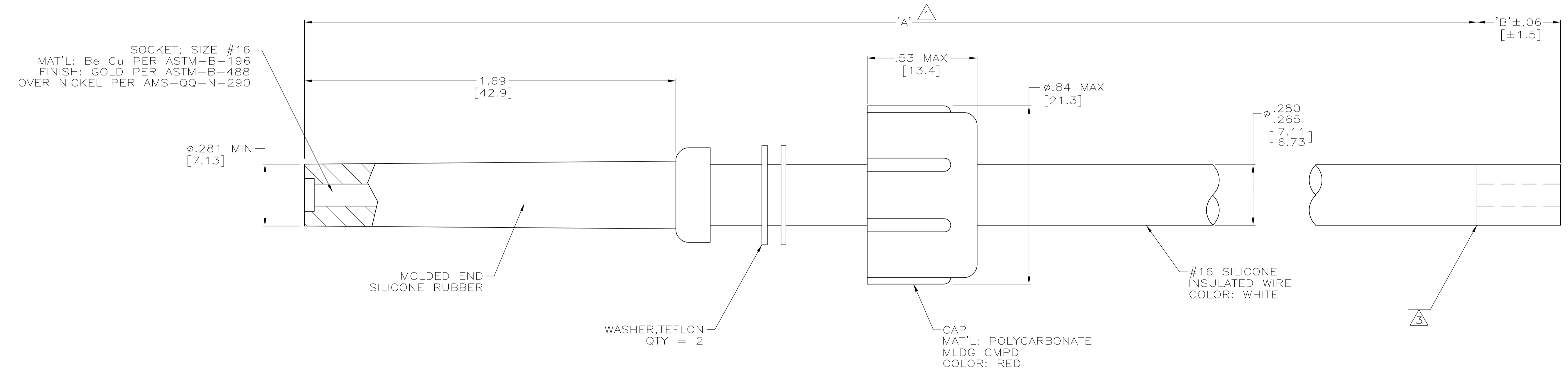


LOC		DIST		REVISIONS			
DF	X5	REV	DATE	BY	APP'D	DATE	BY
A		1	06-05	AA	DE		

PART NO.	'A'	'B'
5830637-5	36.00 [914.4]	.38 [9.7]
5830637-8	47.25 [1200.1]	.50 [12.7]
1-5830637-2	12.00 [304.8]	.38 [9.7]
1-5830637-3	18.00 [457.2]	.38 [9.7]
2-5830637-3	17.00 [431.8]	.50 [12.7]
2-5830637-4	48.00 [1219.2]	.38 [9.7]
2-5830637-8	24.00 [609.6]	.38 [9.7]
3-5830637-6	118.00 [2997.2]	.38 [9.7]

1. TOLERANCE OF LEAD LENGTH:
 UP TO 24 INCHES [609.6] = ±.12 [±3.0]
 24 INCHES [609.6] & UP = ±1%
2. MARKED PER MIL-STD-130.
3. INSULATION CUT TO LENGTH 'B' BUT NOT REMOVED.
4. TO MATE WITH AMP LGH-1L RECEPTACLE WITH 1.69 [42.93] BARREL DEPTH.
5. OPERATING VOLTAGE: 25 KVDC AT 0 TO 70,000 FEET, -55°C TO 125°C.
6. MIN LEAD LENGTH IS 5.00 [127.0].



THIS DRAWING IS A CONTROLLED DOCUMENT.

DIMENSIONS: INCHES	TOLERANCES UNLESS OTHERWISE SPECIFIED:	0 PLC ± -	1 PLC ± -	2 PLC ± .02 [0.5]	3 PLC ± -	4 PLC ± -	ANGLES ± -	FINISH SEE CALLOUTS
MATERIAL SEE CALLOUTS		WEIGHT -		SIZE A1		CAGE CODE 00779		DRAWING NO. C=5830637

CUSTOMER DRAWING SCALE 4:1 SHEET 1 OF 1 REV A

THIS DRAWING IS A CONTROLLED DOCUMENT. DWG: A.H.ANDERSON 09-JUN-05
 CHK: D. FARY 09-JUN-05
 AP'D: D. FARY 09-JUN-05
 NAME: LEAD ASS'Y SGL END LGH-1L
 Tyco Electronics Corporation Harrisburg, Pa 17105-3608

单击下面可查看定价，库存，交付和生命周期等信息

[>>TE Connectivity\(泰科\)](#)