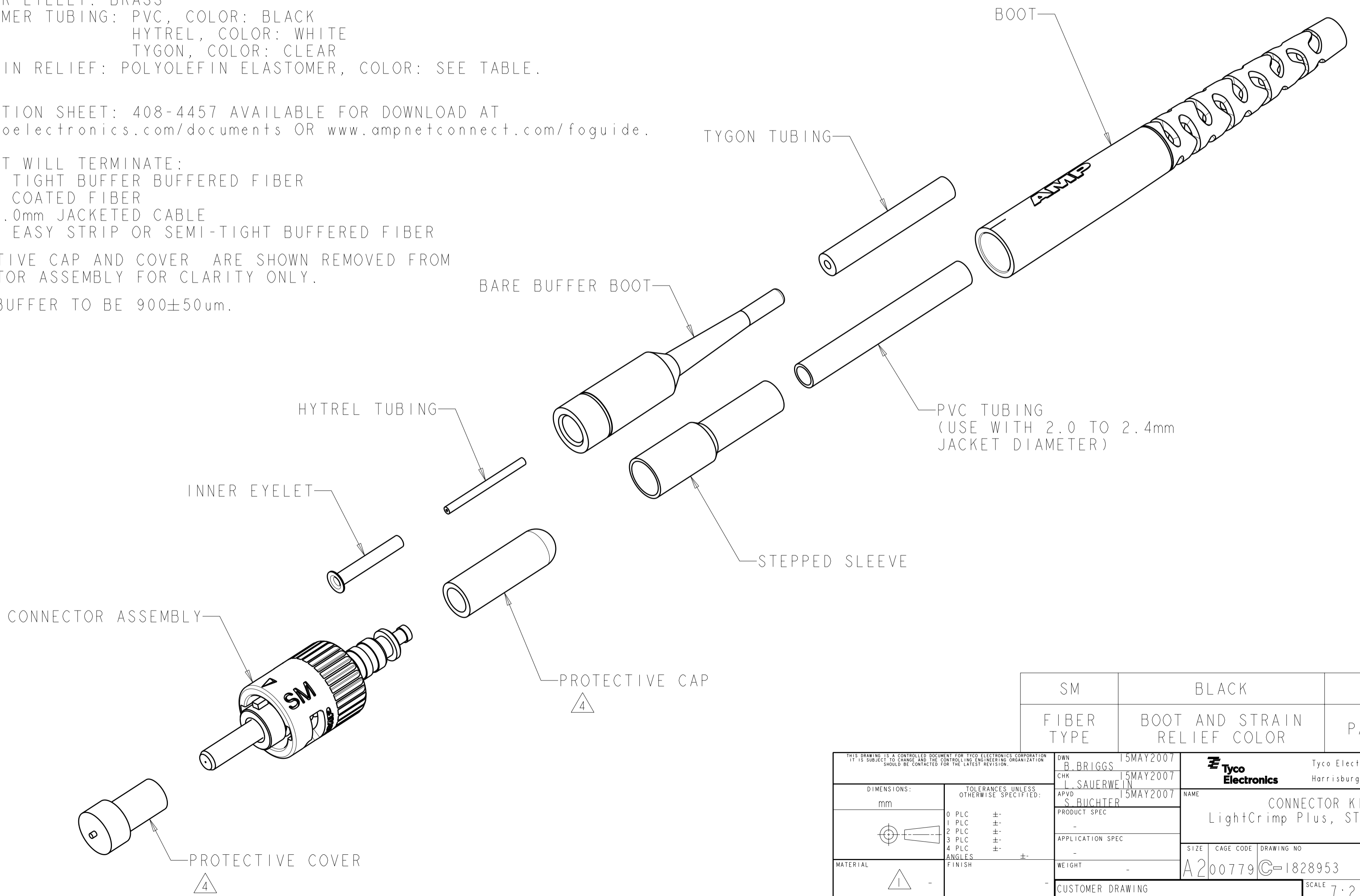


THIS DRAWING IS UNPUBLISHED. RELEASED FOR PUBLICATION 20  
 © COPYRIGHT 20 BY TYCO ELECTRONICS CORPORATION. ALL RIGHTS RESERVED.

LOC	DIST	REVISIONS			
P	LTR	DESCRIPTION	DATE	DWN	APVD
	B	ECR-08-007620	1-15-09	DDE	LS
	B1	ADD NOTE 2	12MAR2009	BB	SB
	B2	REMOVE NOTE 6	03AUG2009	KG	LS

- 1 MATERIAL:  
 CONNECTOR ASSEMBLY  
 REAR BODY: ALUMINUM ALLOY  
 PLUNGER: ALUMINUM ALLOY  
 FERRULE: CERAMIC  
 COUPLING NUT: ZINC, NICKEL PLATED  
 INTERNAL COMPONENTS: PEI, COLOR: NATURAL  
 PROTECTIVE COVER: LDPE, COLOR: BLACK, NON-FR  
 PROTECTIVE CAP: VINYL, COLOR: BLACK  
 CRIMP EYELET: COPPER, NICKEL PLATED  
 INNER EYELET: BRASS  
 POLYMER TUBING: PVC, COLOR: BLACK  
                   HYTREL, COLOR: WHITE  
                   TYGON, COLOR: CLEAR  
 STRAIN RELIEF: POLYOLEFIN ELASTOMER, COLOR: SEE TABLE.

2. INSTRUCTION SHEET: 408-4457 AVAILABLE FOR DOWNLOAD AT  
[www.tycoelectronics.com/documents](http://www.tycoelectronics.com/documents) OR [www.ampnetconnect.com/foguide](http://www.ampnetconnect.com/foguide).
3. THIS KIT WILL TERMINATE:  
 900um TIGHT BUFFER BUFFERED FIBER  
 250um COATED FIBER  
 2.0-3.0mm JACKETED CABLE  
 900um EASY STRIP OR SEMI-TIGHT BUFFERED FIBER
- 4 PROTECTIVE CAP AND COVER ARE SHOWN REMOVED FROM  
 CONNECTOR ASSEMBLY FOR CLARITY ONLY.
5. TIGHT BUFFER TO BE 900±50um.



SM	BLACK	1828953-3
FIBER TYPE	BOOT AND STRAIN RELIEF COLOR	PART NUMBER

<small>THIS DRAWING IS A CONTROLLED DOCUMENT FOR TYCO ELECTRONICS CORPORATION. IT IS SUBJECT TO CHANGE AND THE CONTROLLING ENGINEERING ORGANIZATION SHOULD BE CONTACTED FOR THE LATEST REVISION.</small>		DWN B. BRIGGS 15MAY2007 CHK L. SAUERWEIN 15MAY2007 APVD S. BUCHTER 15MAY2007	Tyco Electronics Harrisburg, PA 17105-3608
DIMENSIONS: mm 	TOLERANCES UNLESS OTHERWISE SPECIFIED: 0 PLC ± 1 PLC ± 2 PLC ± 3 PLC ± 4 PLC ± ANGLES ± FINISH	PRODUCT SPEC APPLICATION SPEC WEIGHT CUSTOMER DRAWING	NAME CONNECTOR KIT, LightCrimp Plus, ST STYLE, SM SIZE CAGE CODE DRAWING NO RESTRICTED TO A200779 C-1828953 -
		SCALE 7:2	SHEET 1 OF 1 REV B2

单击下面可查看定价，库存，交付和生命周期等信息

[>>TE Connectivity\(泰科\)](#)