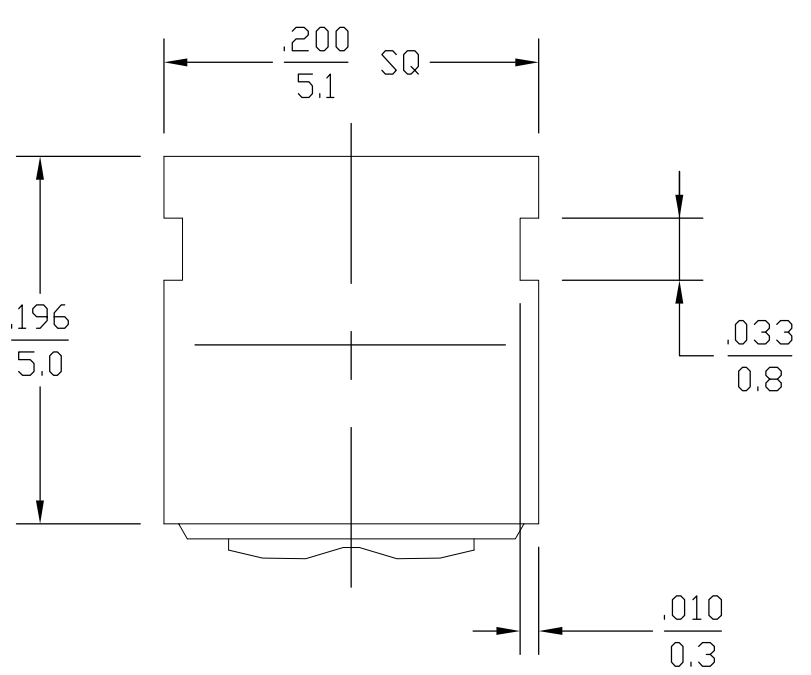
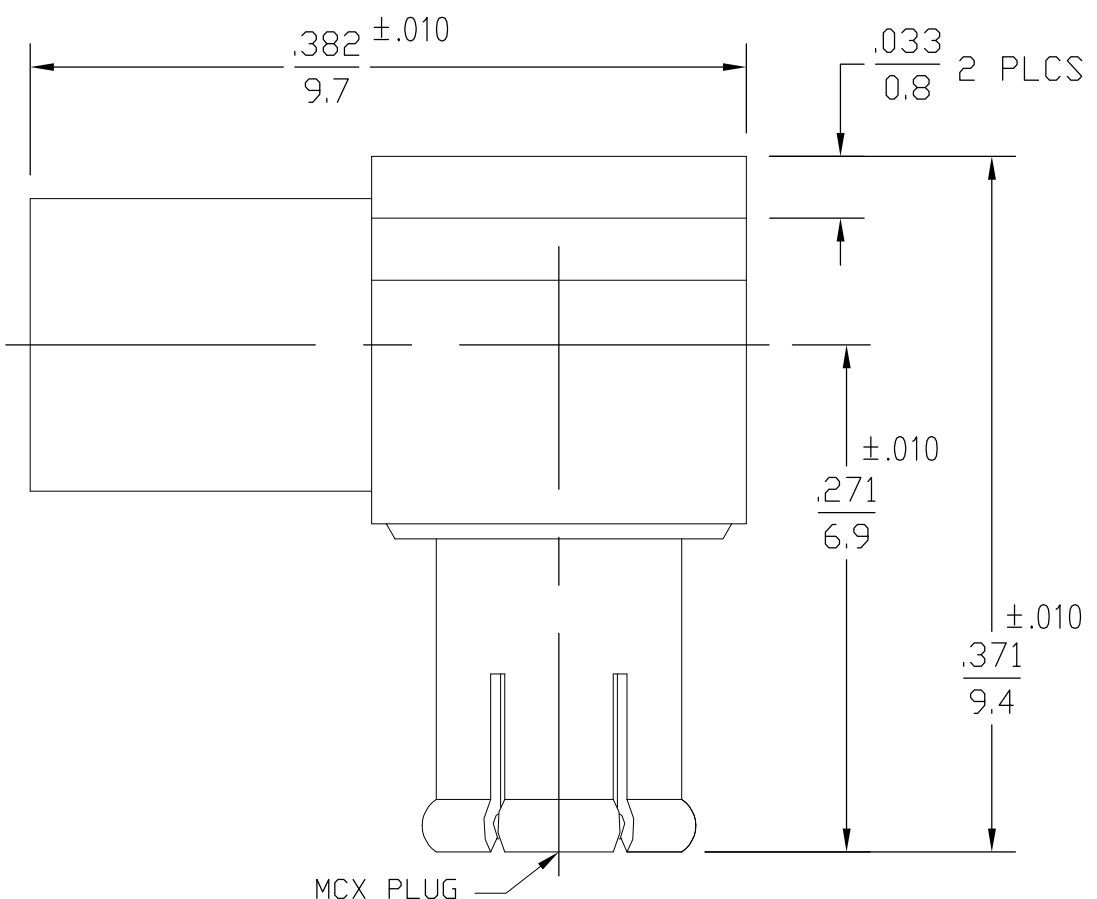


THIS DRAWING IS UNPUBLISHED. RELEASED FOR PUBLICATION
 © COPYRIGHT BY TYCO ELECTRONICS CORPORATION. ALL RIGHTS RESERVED.

LOC	DIST	REVISIONS					
AJ	00	P	LTR	DESCRIPTION	DATE	DWN	APVD
		B		REV PER ECO 08-006829	18MAR2008	DW	JL



1. FOR USE WITH M/A-COM
FC14BC2 CABLE.

ELECTRICAL	MECHANICAL	ENVIRONMENTAL
Nominal Impedance (Ohms) <u>50</u>	Interface Dimensions <u>MIL-STD-348</u>	Temperature Rating <u>-65°C to +165°C</u>
Frequency Range (GHz) <u>DC to 2.0</u>	Mating Characteristics:	Vibration <u>MIL-STD-202, Method 204,</u>
Volt Rating (VRMS MAX)	Insertion (MAX Lbs) <u>3.4</u>	Condition B
@ Sea Level <u>335</u>	Withdrawal (MIN Oz) <u>1.77MIN-4.50 MAX</u>	Shock <u>MIL-STD-202, Method 107,</u>
VSWR <u>TBD</u>	Center Contact Captivation:	Condition B
Insertion Loss (dB MAX) <u>TBD</u>	DESIGNED TO MAINTAIN MCX	Thermal Shock <u>MIL-STD-202, Method 102,</u>
RF Leakage (dB MIN) (Interface Only)	INTERACE <u>WHEN MATING</u>	Condition C
Fully Mated) <u>N/A</u>	Cable Retention:	Except High Temperature <u>N/A</u>
Corona 70.000 FI (VRMS MIN) <u>250</u>	Axial Force (Lbs) <u>N/A</u>	Moisture Resistance <u>MIL-STD-202,</u>
Dielectric Withstanding Voltage	Torque (In/Oz) <u>N/A</u>	Method 106D, 10 CYCLES, 96 HOURS
(VRMS MIN) @ Sea Level <u>1000</u>	Weight (Grams) <u>N/A</u>	Corrosion <u>MIL-STD-202, Method 101,</u>
Contact Resistance (Milliohms MAX)		Condition A
Center Contact <u>5.0</u>		
Outer Contact <u>1.0</u>		
Cable to Housing <u>1.0</u>		
RF High Potential @ Sea Level		
(VRMS MIN @ 5 MHz) <u>670</u>		
I.R. (MegaOhmz MIN) <u>10,000</u>		

COMPONENT	MATERIAL	FINISH	CABLE ENTRY DIAMETER (MIN)
CONTACT FINGER	BE-CU PER ASTM-B-196, OR ASTM-B-197 ALLOY C17300, CONDITION H	TIN PLATE PER ASTM-B-545	-
HOUSING	BRASS PER ASTM-B-16 HALF HARD	TIN PLATE PER ASTM-B-545	.128
CAP	BRASS PER ASTM-B-16 HALF HARD	NICKEL PLATE PER QQ-N-290	-
DIELECTRIC	PTFE FLUOROCARBON PER ASTM-D-1457	-	-
CENTER CONTACT	BE-CU PER ASTM-B-196, OR ASTM-B-197 ALLOY C17300, CONDITION H	GOLD PLATE PER MIL-G-45204	.038 SLOT

THIS DRAWING IS A CONTROLLED DOCUMENT.

DIMENSIONS: INCHES / mm	TOLERANCES UNLESS OTHERWISE SPECIFIED:
	0 PLC ± -
	1 PLC ± -
	2 PLC ± -
	3 PLC ± .005
	4 PLC ANGLES ± 1°
MATERIAL SEE TABLE	FINISH SEE TABLE

DWN	01FEB2005	Tyco Electronics Corporation Harrisburg, PA 17105-3608			
L. VARELA - DOCK5	01FEB2005				
CHK	01FEB2005				
J. HAVENER	01FEB2005				
APVD	01FEB2005	NAME			
K. WEIDNER		MCX RIGHT ANGLE CABLE PLUG SOLDER ATTACHMENT (5807-5008-13)			
PRODUCT SPEC		SIZE	CAGE CODE	DRAWING NO	RESTRICTED TO
		A3	00779	C-6060782	-
APPLICATION SPEC		WEIGHT			
		-			
CUSTOMER DRAWING		SCALE	SHEET	REV	
		10:1	1 OF 1	B	

单击下面可查看定价，库存，交付和生命周期等信息

[>>TE Connectivity\(泰科\)](#)