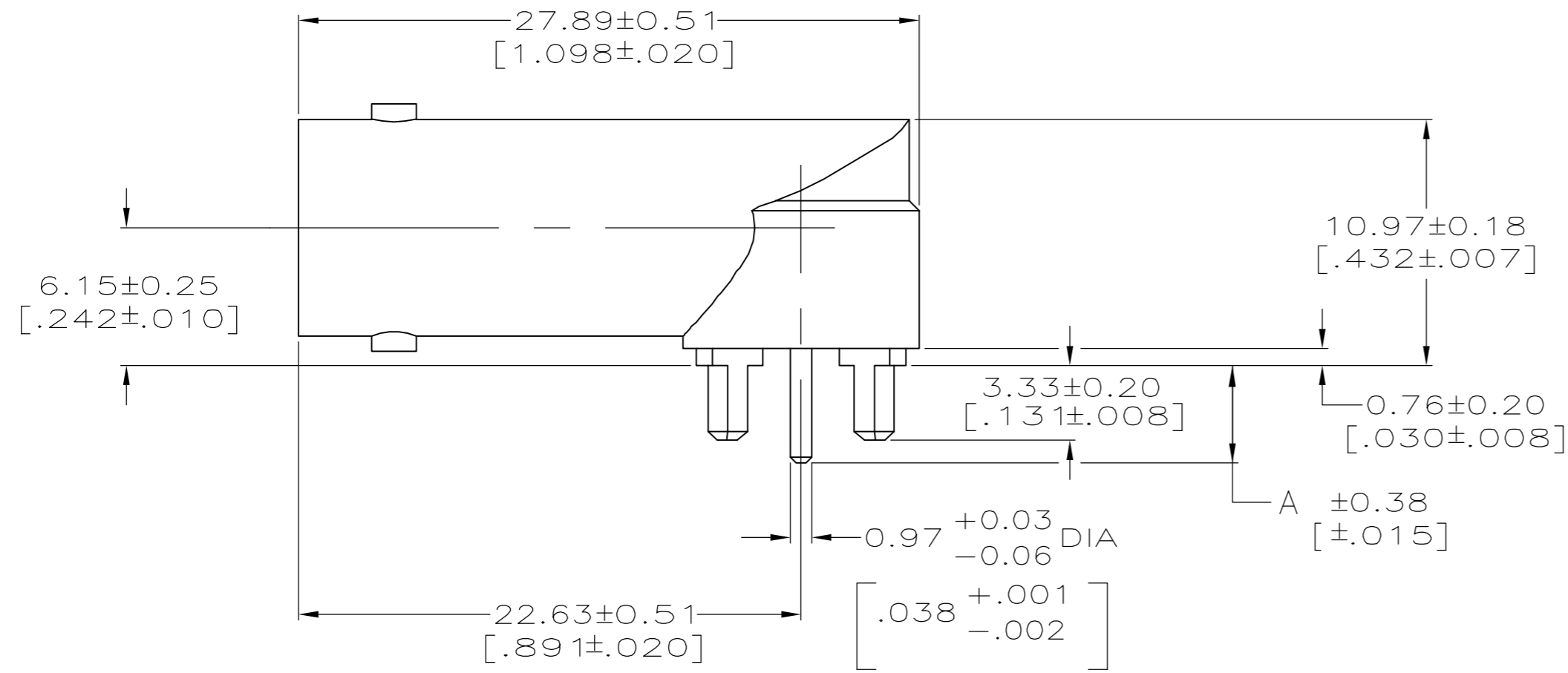
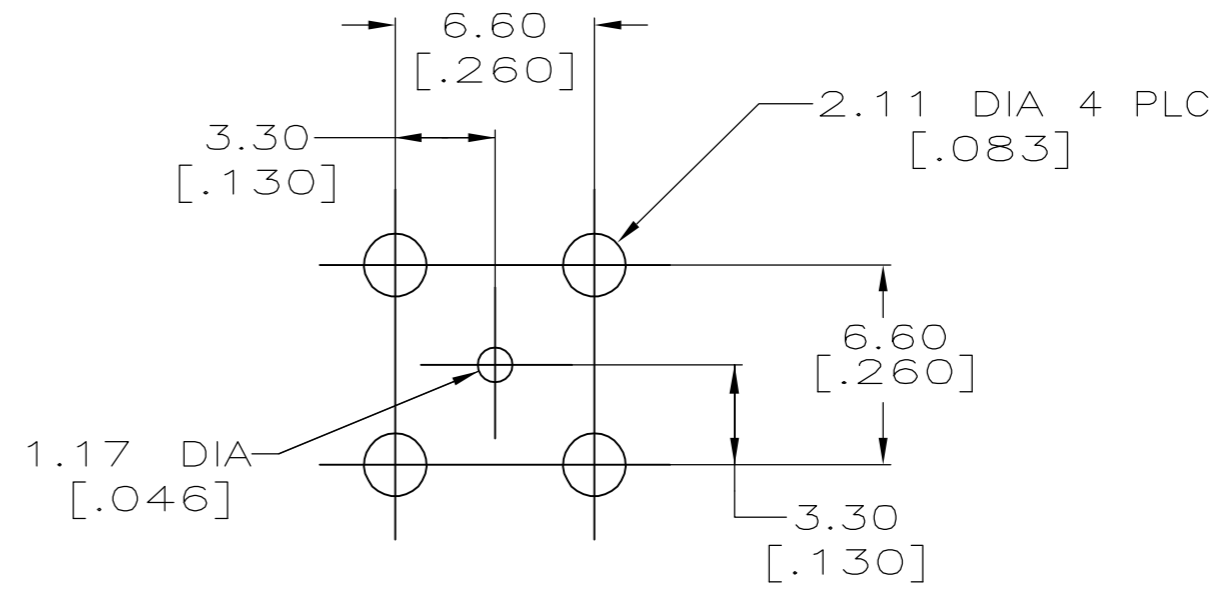
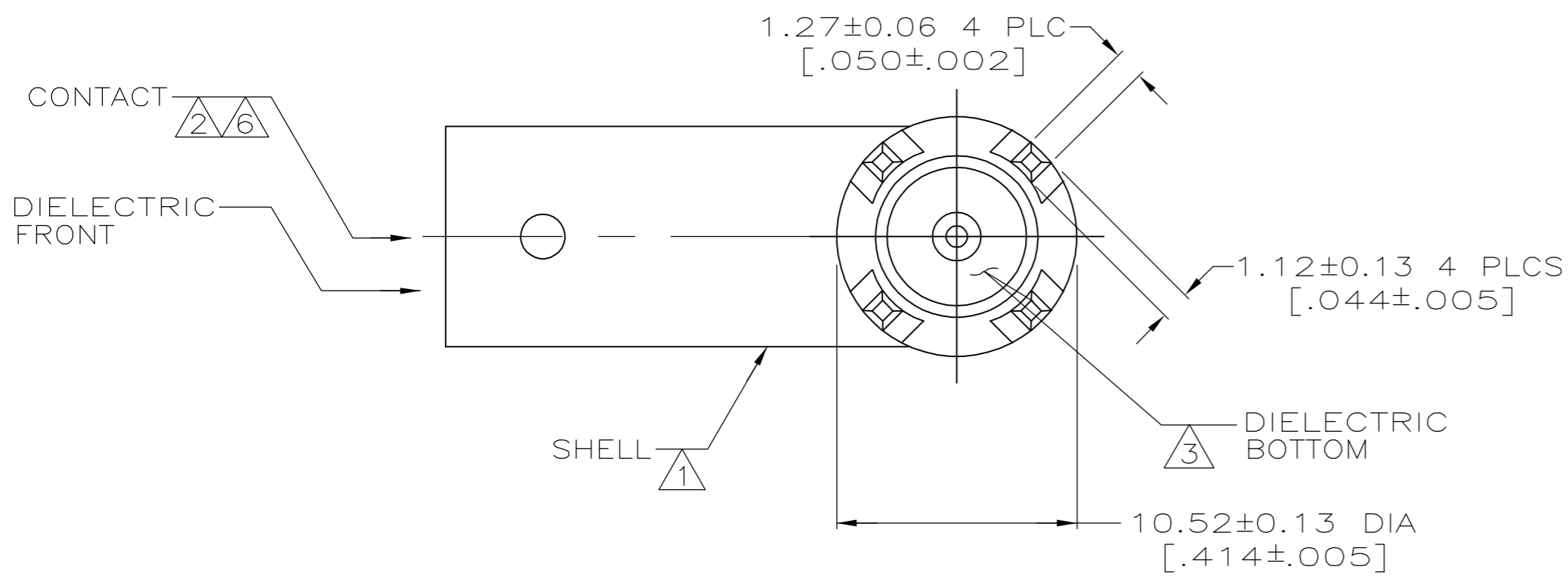


THIS DRAWING IS UNPUBLISHED. RELEASED FOR PUBLICATION
 © COPYRIGHT BY TYCO ELECTRONICS CORPORATION. ALL RIGHTS RESERVED.

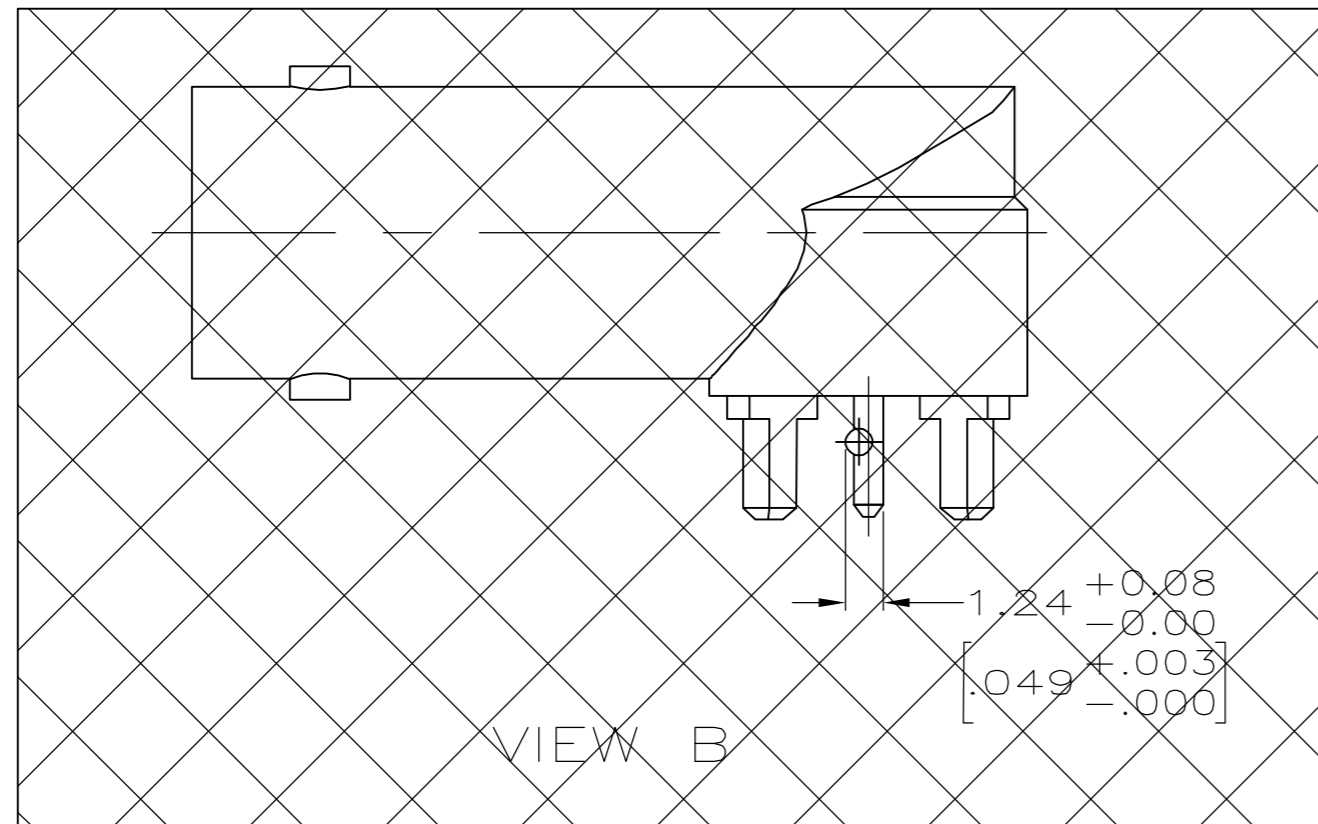
LOC	DIST	REVISIONS			
P	LTR	DESCRIPTION	DATE	DWN	APVD
AJ	00	R	REVISED PER ECO 06-024121	1/29/2007	DW JL



- 1 ZINC PER QQ-Z-363.
- 2 BERYLLIUM COPPER PER QQ-C-530.
- 3 PTFE PER MIL-P-19468.
- 4 NICKEL PLATE PER QQ-N-290, 3.81µm [.000150] MINIMUM THICK.
- 5 TIN-LEAD PLATE PER ASTM-B-545, 3.04µm [.000120] MINIMUM THICK OVER NICKEL PLATE PER MIL-C-26074, 7.62µm [.000300] MINIMUM THICK.
- 6 GOLD PLATE PER MIL-G-45204, 1.27µm [.000050] MINIMUM THICK.
- 7 INTERFACE PER MIL-C-39012.
- 8 POLYMETHYLPENTENE, GENERAL PURPOSE



PCB CONFIGURATION



OBSOLETE	3.33 [.131]		4	3	B	413631-5
OBSOLETE	3.33 [.131]		5	3	B	413631-4
OBSOLETE	3.33 [.131]		4	8	-	413631-3
	4.34 [.171]		5	3	-	413631-2
	4.34 [.171]		4	8	-	413631-1
	A	FINISH: SHELL	MATERIAL: DIELECTRIC, FRONT	VIEW	PART NUMBER	

THIS DRAWING IS A CONTROLLED DOCUMENT.		DWN	J. LIPPERT	7-1-91	 Tyco Electronics Corporation Harrisburg, PA 17105-3608
DIMENSIONS: INCHES		CHK	A. GABANY	8-5-91	
TOLERANCES UNLESS OTHERWISE SPECIFIED:		APVD	A. GABANY	8-5-91	
0 PLC ± - 1 PLC ± - 2 PLC ± 0.08 [.003] 3 PLC ± - 4 PLC ± - ANGLES ± - FINISH SEE NOTES 4-6		PRODUCT SPEC 108-12078 APPLICATION SPEC		NAME JACK, RIGHT ANGLE, PCB, 50 OHM, SERIES BNC	
MATERIAL SEE NOTES 1-3		WEIGHT	-	SIZE	A2
		CUSTOMER DRAWING	SCALE	4:1	SHEET
				00779	1 of 1
				C=413631	REV
					R

单击下面可查看定价，库存，交付和生命周期等信息

[>>TE Connectivity\(泰科\)](#)