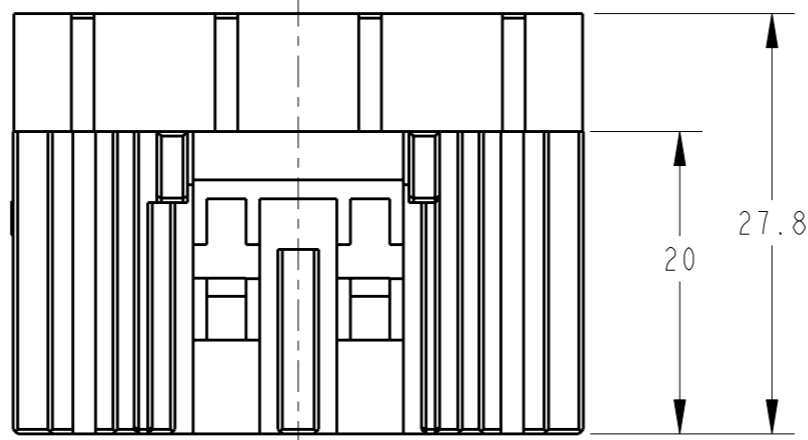
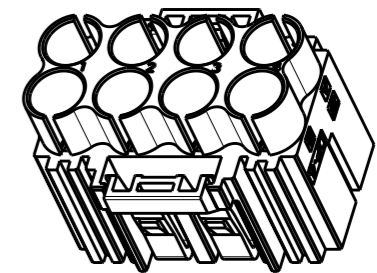


THIS DRAWING IS UNPUBLISHED. RELEASED FOR PUBLICATION 20
 © COPYRIGHT 20 BY TYCO ELECTRONICS CORPORATION. ALL RIGHTS RESERVED.

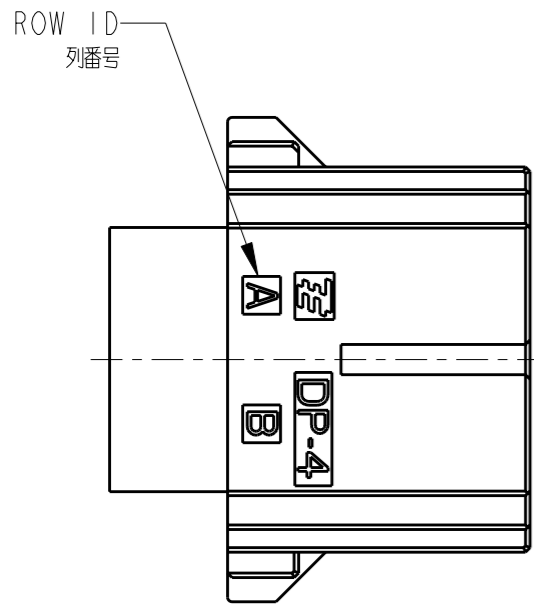
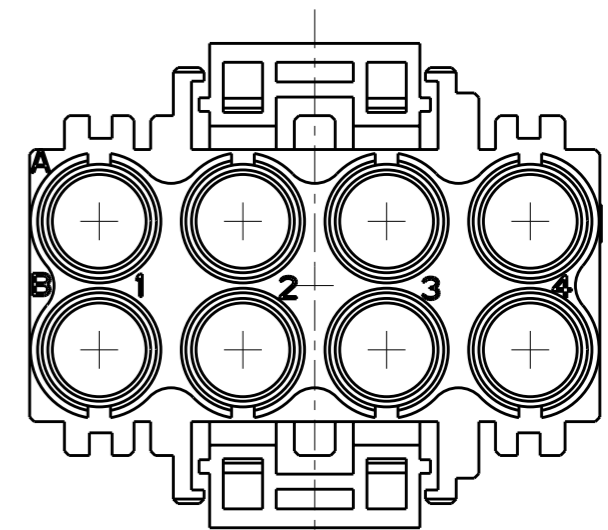
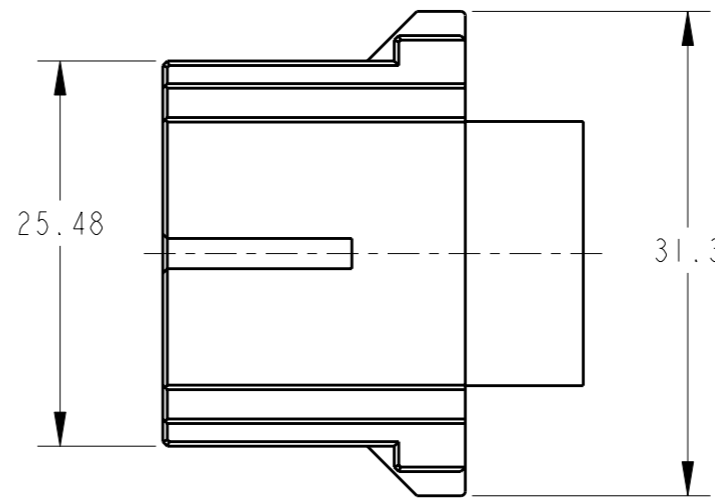
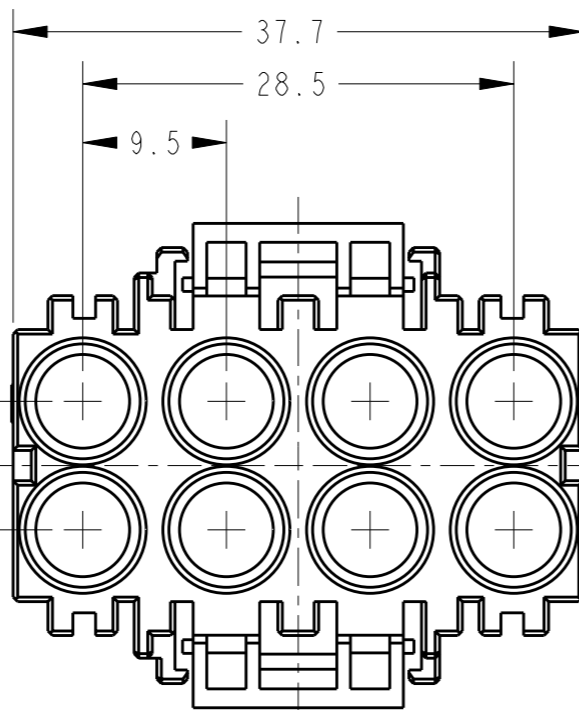
LOC	DIST	REVISIONS					
		P	LTR	DESCRIPTION	DATE	DWN	APVD
J	-		B	REVISED PER ECR-10-013235	09JUL2010	HMR	TM



AS SHOWN: 1903104-1



スケール 1:1



- 注記
- 材料:ハウジング:ガラス入り熱可塑性(94V-0)、色:黒
 - 嵌合コンタクト:オスコンタクト:P/No:1903100-1
:メスコンタクト:P/No:1903289-1
 - 嵌合ハウジング:キャップハウジング8P:P/No:1903106-1

- NOTE
- MATERIAL:HOUSING:GLASS FILED THERMO PLASTIC POLYESTER(94V-0)
COLOR:BLACK
 - MATE CONTACT:MALE CONTACT P/No:1903100-1
:FEMALE CONTACT P/No:1903289-1
 - MATE HSG:CAP HSG 8P:P/No:1903106-1

THIS DRAWING IS A CONTROLLED DOCUMENT FOR TYCO ELECTRONICS CORPORATION IT IS SUBJECT TO CHANGE AND THE CONTROLLING ENGINEERING ORGANIZATION SHOULD BE CONTACTED FOR THE LATEST REVISION.		DWN T. Sakamoto 27OCT2006	Tyco Electronics Tyco Electronics AMP K.K. Kawasaki, Japan	
DIMENSIONS: 単位: 耗 mm	TOLERANCES UNLESS OTHERWISE SPECIFIED: 一般公差 0 PLC ± 0.4 1 PLC ± 0.4 2 PLC ± 1° 3 PLC ± 4 PLC ± ANGLES ±	CHK D. Mitsugi 27OCT2006	NAME 名称	
	MATERIAL 材料	APVD D. Mitsugi 27OCT2006	PRODUCT SPEC 製品規格 108-78406	
		APPLICATION SPEC 取付適用規格	DRAWING NO 番号 A3 00779 C-1903104	
FINISH 仕上		WEIGHT -	RESTRICTED TO -	SCALE 尺度 2:1
CUSTOMER DRAWING			SHEET 1	OF 1
			REV B	

单击下面可查看定价，库存，交付和生命周期等信息

[>>TE Connectivity\(泰科\)](#)