

4

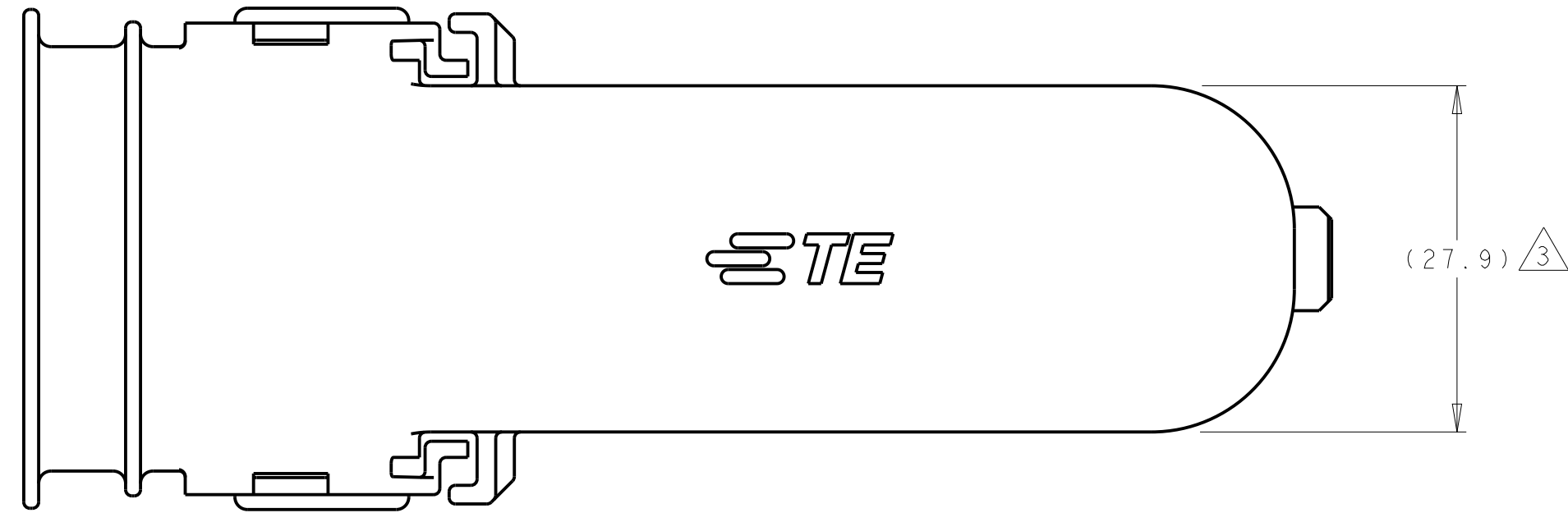
3

2

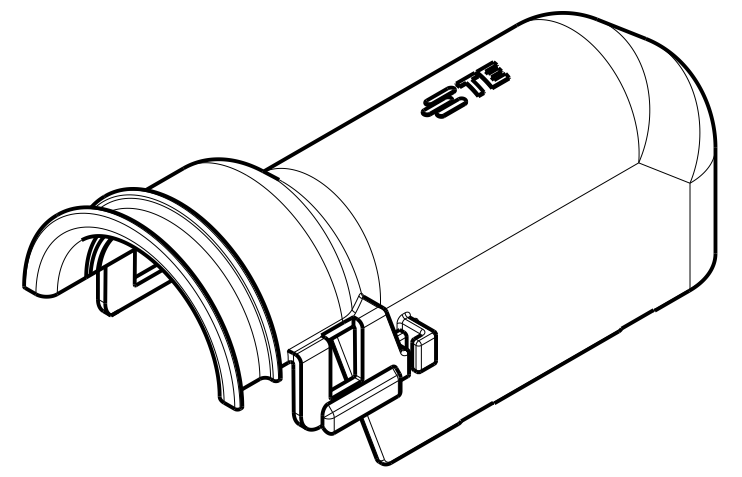
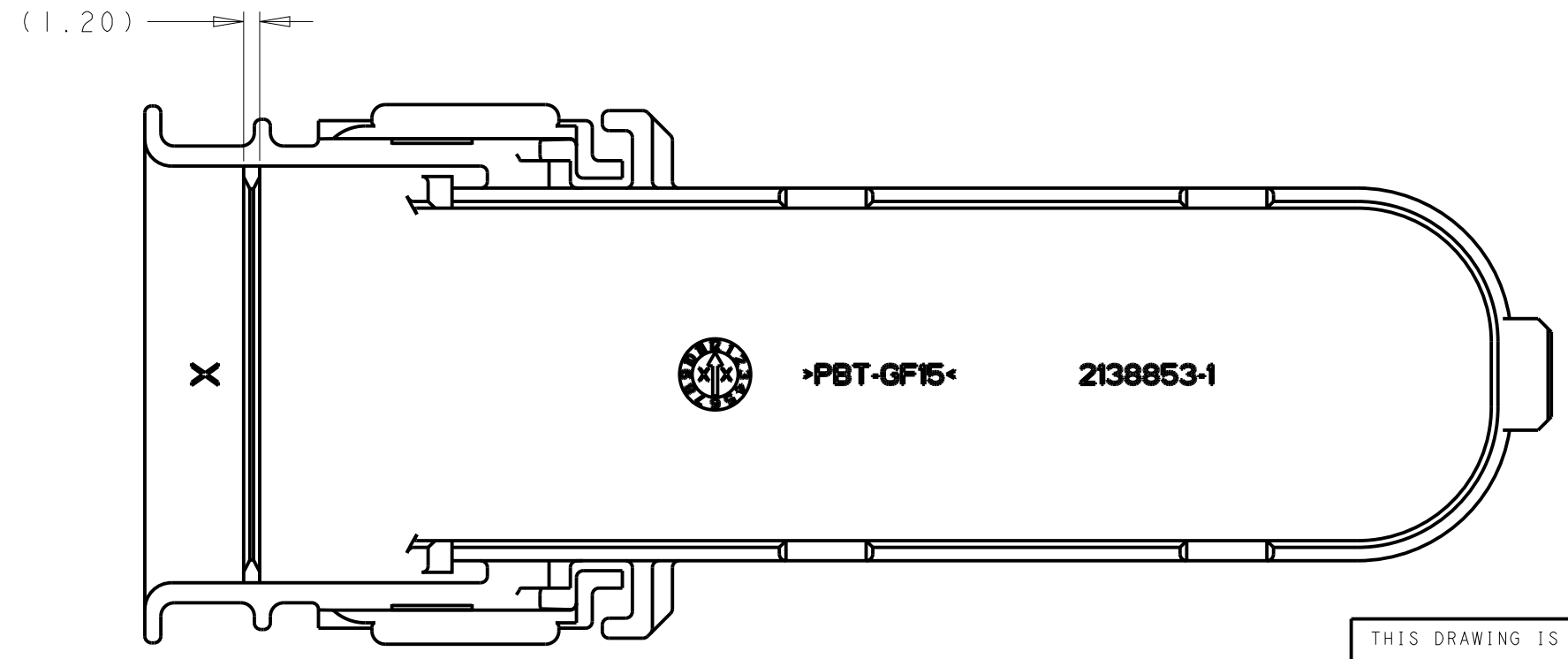
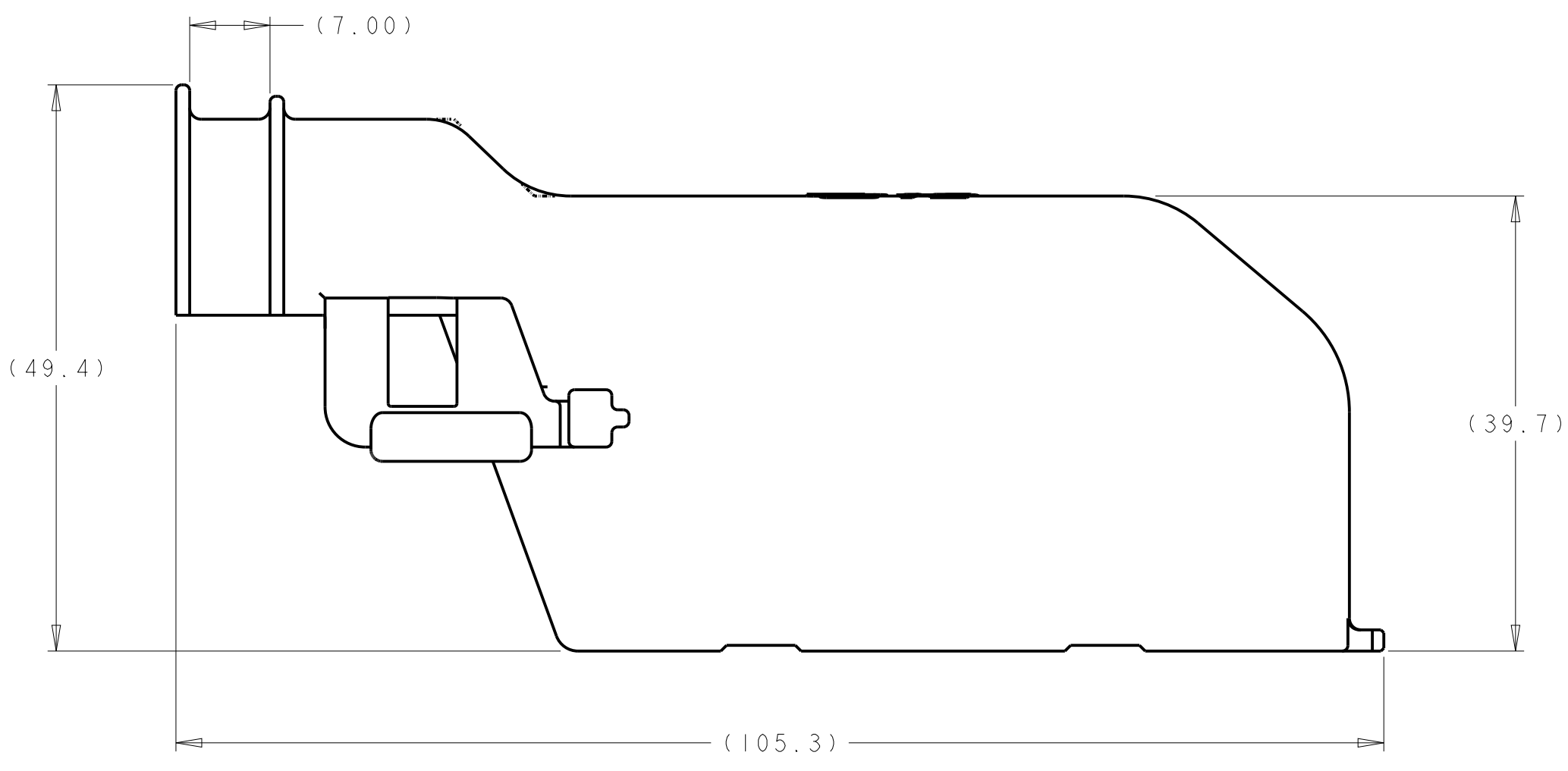
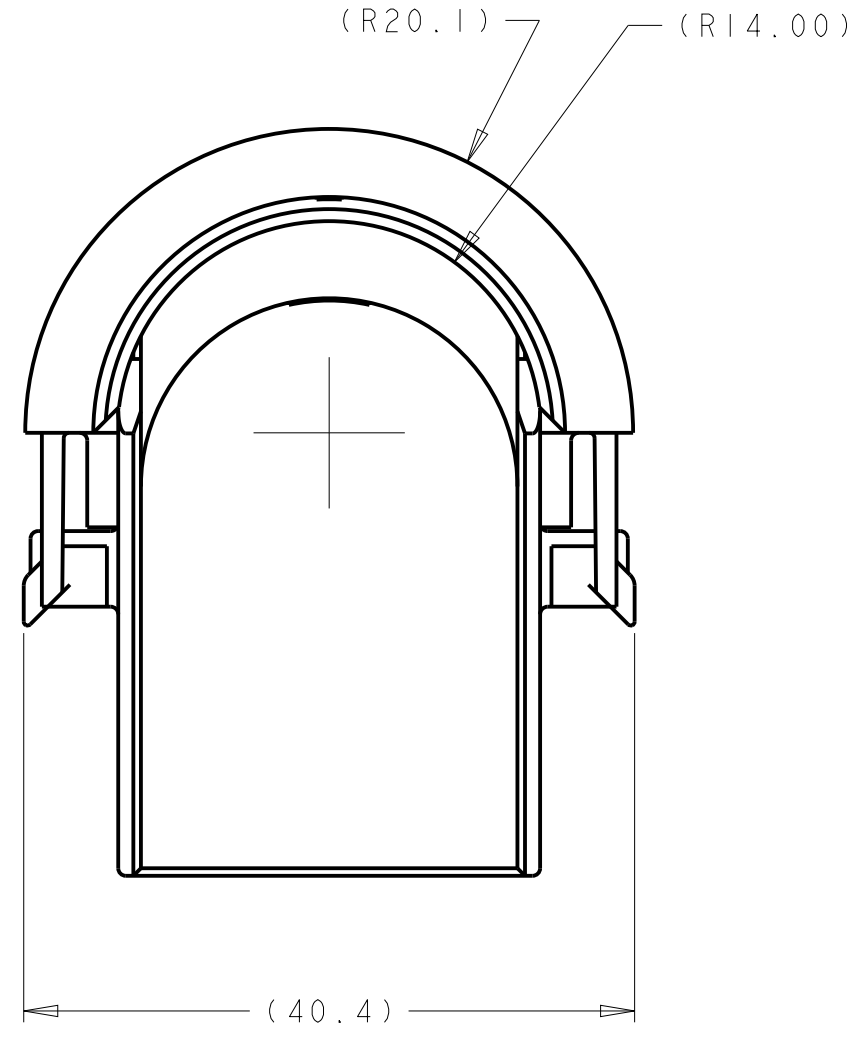
1

THIS DRAWING IS UNPUBLISHED. RELEASED FOR PUBLICATION 20  
© COPYRIGHT 20 BY - ALL RIGHTS RESERVED.

REVISIONS				
P	LTR	DESCRIPTION	DATE	APVD
A		RELEASED PER ECO-13-012867	12AUG2013	RGV RN
AI		REVISED PER ECO-14-012832	21AUG2014	DD RN



- 1 MATERIAL: PBT-GF15  
COLOR: BLACK
- 2. DESIGNED FOR CORRUGATED TUBE NW26.
- 3 2.25 mm BOW ALLOWED ON INDICATED WALLS.
- 4. FOR USE WITH TE P/N'S 2138839-X AND 2138846-X.



SCALE 1:1

2138853-1  
PART NUMBER

THIS DRAWING IS A CONTROLLED DOCUMENT.		DWN R. VESTAL 10 JAN 2012	TE Connectivity	
DIMENSIONS: mm		CHK R. NARANG 30 JAN 2012	NAME WIRE EXIT COVER, AMPSEAL 16 HYBRID LEVER	
TOLERANCES UNLESS OTHERWISE SPECIFIED:		APVD D. KLEIN 30 JAN 2012	PRODUCT SPEC 108-32036	
0 PLC ±		APPLICATION SPEC 114-32117	SIZE A20779	
1 PLC ±		WEIGHT -	CAGE CODE C-2138853	
2 PLC ±		CUSTOMER DRAWING	DRAWING NO -	
3 PLC ±		SCALE 2:1	RESTRICTED TO -	
4 PLC ±		SHEET 1 OF 1	REV A1	
ANGLES ±1°				
FINISH				

单击下面可查看定价，库存，交付和生命周期等信息

[>>TE Connectivity\(泰科\)](#)